

**PRIMEHORT**



# HOW TO ASSEMBLE

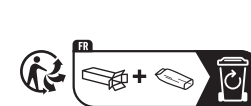
CELESTE I

1.85 x 2.47m (6x8ft)

## IMPORTANT!

Please read these instructions carefully before starting assembly.  
Keep these instructions in a safe place for future reference.

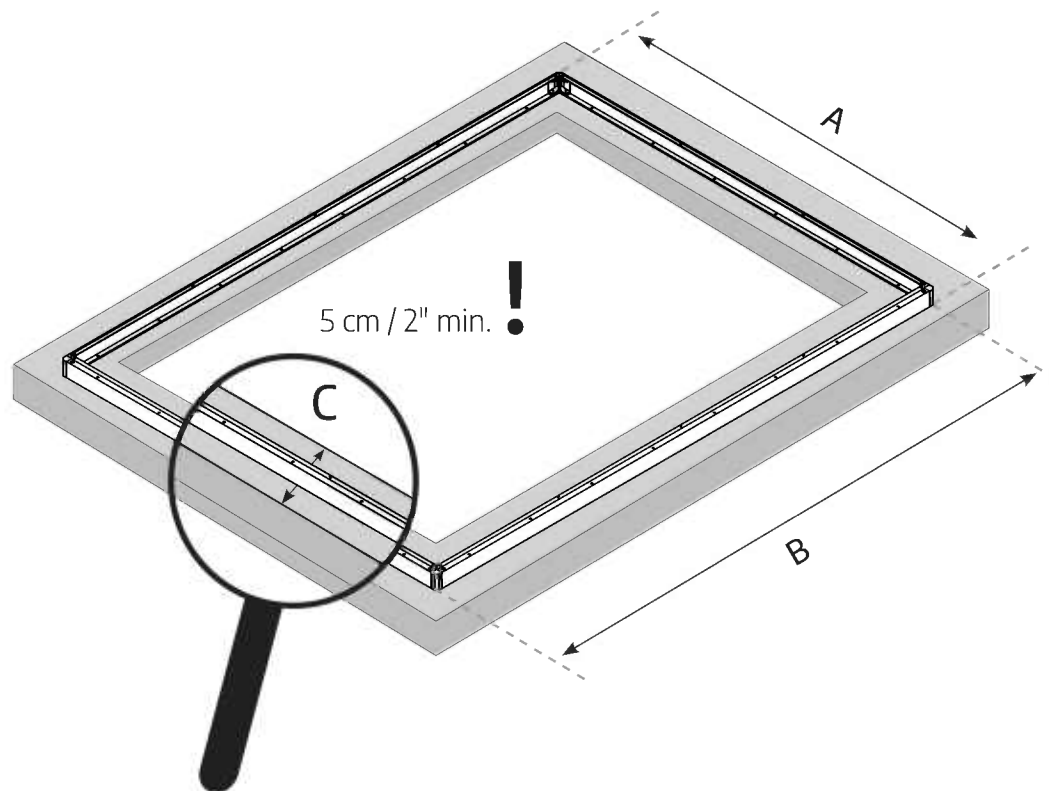
[www.primehort.co.nz](http://www.primehort.co.nz)



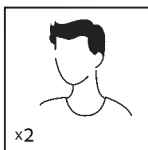
82735\_24.06\_MV3-8

## BASE DIMENSIONS

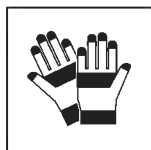
MODEL	6x8 / 2x2.5	
WIDTH	A	185 cm / 6'1"
LENGTH	B	246 cm / 8'1"
MIN. SPACE	C	5 cm / 2"



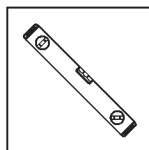
## TOOLS & EQUIPMENT



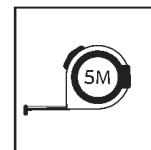
2 people needed



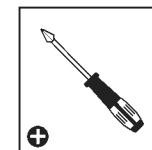
Work gloves



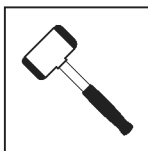
Spirit Level



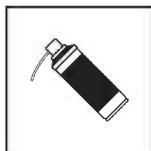
Tape measure



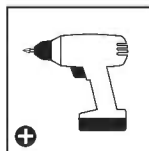
Phillips head  
Screwdriver



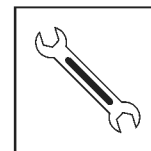
Rubber Mallet



Lubricant Spray



Cordless drill  
Phillips head



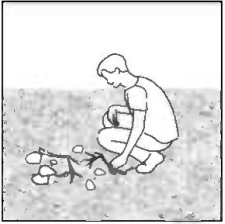
Wrench  
10 mm | 3/8"

## SITE PREPARATION & FOUNDATION

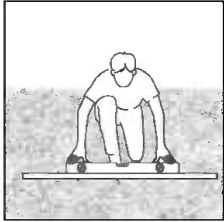
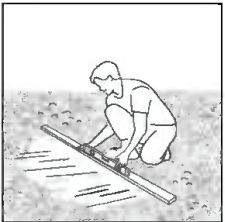
### A - PREPARE THE SITE

The product must be positioned and fixed on a flat level surface.

#### 1 - Clear the site



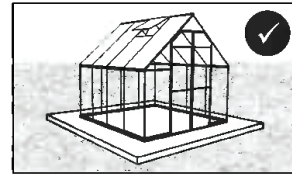
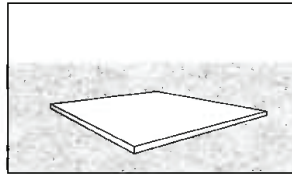
#### 2 - Level the ground



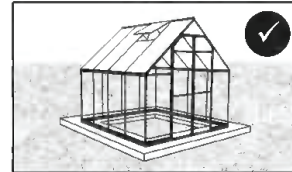
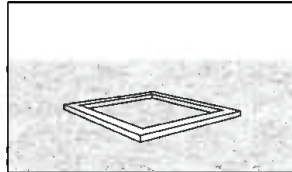
### B - CHOOSE YOUR FOUNDATION TYPE

As a foundation, we recommend using three material types :  
Concrete / Pressure treated wood / wood deck / Paver blocks

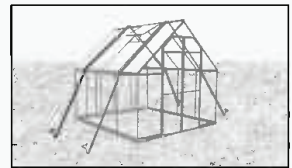
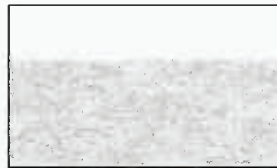
#### Option 1: Solid foundation



#### Option 2: Solid frame



#### Firm ground / grass

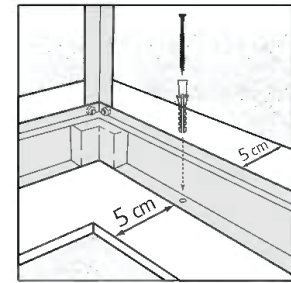
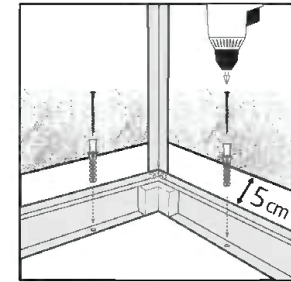


**ONLY WITH EXTERNAL ANCHORING KIT (SOLD SEPARATELY)**



### C - ANCHOR TO FOUNDATION

#### 1 - On a solid foundation / frame



Secure the product to the foundation of your choice using suitable screws & plugs or masonry anchors (not supplied).

Make sure you have at least 5 cm / 2" between the product base and the edges of your foundation - **on all sides.**

\* Please consult with an expert regarding which fasteners are suitable for other surface types.

\* The size of the product displayed is for illustration purposes only and may not reflect the size of your product.

## SAFETY ADVICE

- It is of utmost importance to assemble all of the parts according to the directions. Do not skip any steps.
- Always wear work gloves during panel sliding.
- Always wear shoes and safety goggles when working with extruded aluminium.
- If using a step ladder or power tools make sure that you follow the manufacturer's safety advice.
- Do not touch overhead power cables with the aluminium profiles.
- Do not attempt to assemble the product in windy or wet conditions.
- Do not climb or stand on the roof.
- Dispose of all plastic bags. Keep them out of reach of small children.
- Keep children away from the assembly area.
- Do not lean against or push the products during construction.
- Do not position your product in an area exposed to excessive winds.
- Do not attempt to assemble this product if you are tired, have taken drugs or alcohol or if you are prone to dizzy spells.
- Hot items such as recently used grills, blowtorches etc. must not be stored in the product.
- Make sure there are no hidden pipes or cables in the ground before anchoring to foundation.
- Keep roof and gutters clear of snow, dirt & leaves.
- In strong winds, all openings and the door should be closed. Greenhouse roofs should be cleared of snow in good time so that no dangerous snow load can occur.
- This product is designed to be used mainly as a greenhouse.
- **⚠ Make sure to anchor the product directly to a solid foundation to increase the product's stability and wind resistance in areas with severe weather conditions. Make sure that there are no obstructions between the assembly area and the final position of the product. The Canopia Anchoring kit is available for purchase separately.**

## CARE & MAINTENANCE

- When your product needs to be cleaned, use a soft cloth and rinse with cold clean water.
- DO NOT use acetone, abrasive cleaners or other special detergents to clean the panels.
- Clean the product once assembly is complete.

## BEFORE ASSEMBLY

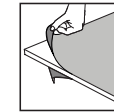
- Selecting a site:
  - Choose your site carefully before beginning assembly.
  - Choose a sunny position away from overhanging trees.
  - The product must be positioned and fixed on a flat level surface.
- The product must be secured directly to a solid foundation.
- This is a multi-part assembly best achieved by two people. Allow at least half a day for the assembly process.
- Take all components & parts out of the packages. Sort the parts and check against the content parts list.
- Parts should be laid out close at hand. Keep all small parts (screws etc.) in a bowl so they do not get lost.
- Please note multi-sided profiles are used in this product. As a result some holes in the profiles are not used during assembly.
- Please review entire instructions before starting. Carry out the assembly steps in exact order.
- Please consult your local authorities if any permits are required prior to constructing the product.
- Please ensure you have sufficient side space for inserting the roof panels during the assembly process.

## IMPORTANT!

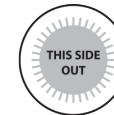
- **Firmly connect the product to a level surface immediately after completion of the assembly.**
- **Anchoring this product to the ground is essential to its stability and rigidity. It is required to complete this stage in order for your warranty to be valid.**
- **During assembly use a soft surface below the parts to avoid scratches and damages.**
- **We recommend checking for restrictions or covenants for building this product in your area.**  
In addition we advise to check if you need to submit any forms or if any permit is required prior to building the product.

## DURING ASSEMBLY

**During assembly, you will encounter different icons for different products. Please see below for more information:**



Make sure you remove covering plastic film from both sides of the panel.



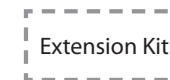
All panels with the stamped words "THIS SIDE OUT" must be facing out to create full UV protection. Remove plastic sticker as panels are locked in place.



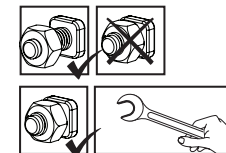
This icon indicates that the installer should be inside the product.



This icon indicates that the installer should be outside the product.



Steps marked with dashed outlines refer to Extensions only. Some of the steps are irrelevant for an assembly of a single product. When assembling a single or an extended product, some parts may be surplus.



These 2 icons below indicate if screw's tightening is required or not.

Temporary tightening of a few screws may be needed to prevent a profile from sliding out. Tighten all screws once assembly is completed.



## IMPORTANT ASSEMBLY STEPS

**When encountering this information icon during assembly, please refer the relevant assembly step for important additional comments.**

- Step 6:** Determines the front side of the greenhouse.
- Steps 10, 16, 19:** The oval hole in the crossbars #256 should always be assembled to the base of the greenhouse.
- Steps 12-13:** In order to insert profile #8378 in between two #7311 & #7310 profiles, please apply silicone lubricant spray.
- Door Assembly:**  
Can be installed as a left hand door or right hand door to your decision. These instructions show a right hand door assembly.
- Step 14:** Determines door direction door post #7311 is where door hinges will be located.
- Steps 39+40:** **Window Assembly:**  
Decide on the window's location before assembly. Window can be installed in one of the indicated options. Once the window location is chosen, please turn part #7316 into the correct position accordingly.
- Step 55:** In case the window is not closed properly, please go to **Step 42**, release the screws, adjust the profile and tighten the screw.
- Steps 57-65:** Determines door direction door post #7311 is where door hinges will be located (**Step 14**).  
Door assembly should be done according to this decision.

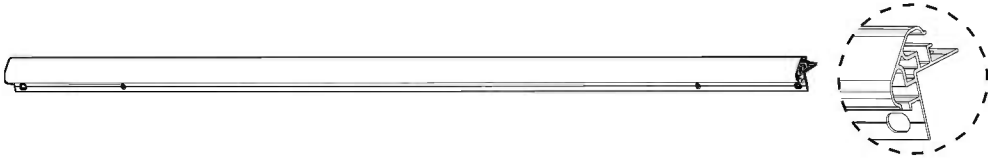


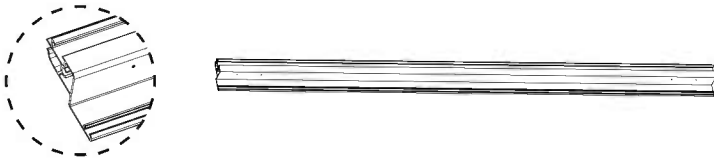
## PRINCIPALES ÉTAPES D'ASSEMBLAGE



**Lorsque vous rencontrez cette icône d'information pendant l'assemblage, veuillez vous référer à l'étape d'assemblage correspondante pour d'autres commentaires importants.**

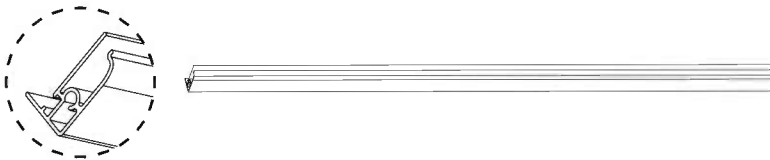
- Étape 6:** Identifier le côté avant de la serre.
- Étapes 10, 16, 19:** Le trou ovale dans les barres fixes #256 doit toujours être monté à la base de la serre.
- Étapes 12-13:** Afin d'insérer le profil #8378 entre les profils #7311 et #7310, veuillez appliquer un lubrifiant à base de silicone.
- Assemblage de la porte:**  
La porte peut être installée à gauche ou à droite, selon votre choix. Ces instructions montrent une installation de porte à droite.
- Étape 14:** Déterminer la direction de la porte. Le montant de la porte #7311 est l'endroit où les charnières de la porte seront installées.
- Étapes 39+40:** **Assemblage de la fenêtre**  
Choisissez l'emplacement de la fenêtre avant le montage. La fenêtre peut être assemblée dans l'une des options indiquées. Une fois l'emplacement de la fenêtre choisi, veuillez tourner la pièce #7316 dans la bonne position en conséquence.
- Étape 55:** Si la fenêtre n'est pas correctement fermée, veuillez passer à l'**étape 42**, desserrer les vis, ajuster le profil et ensuite serrer les vis.
- Étapes 57-65:** Déterminer la direction de la porte. Le montant de la porte #7311 est l'endroit où les charnières de la porte seront installées (**Étape 14**).  
L'installation de la porte doit être effectuée conformément à cette décision.

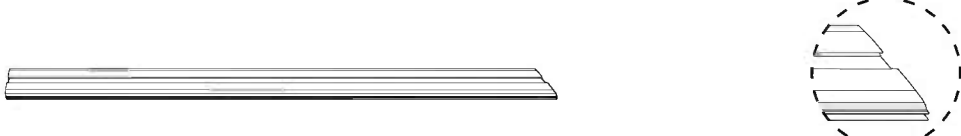
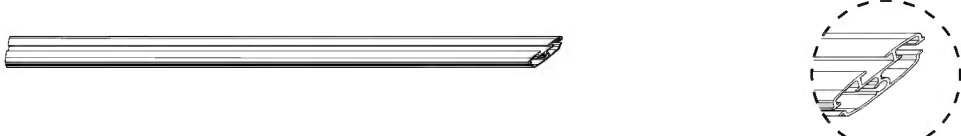
# Contents

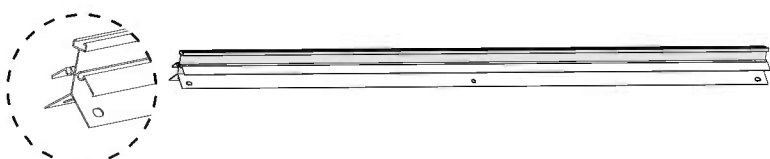
Item		Qty.
996		4

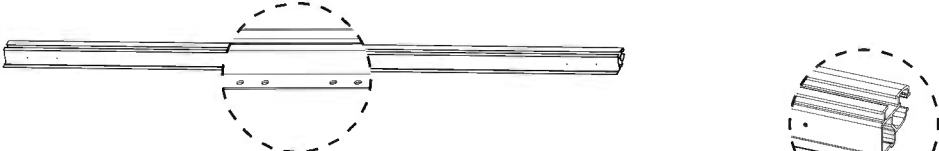

Item		Qty.
7309		4

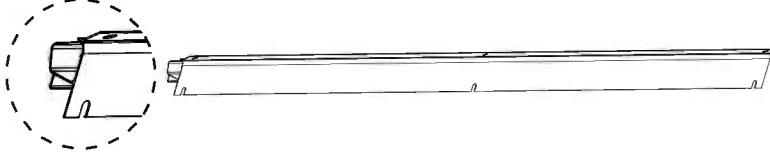
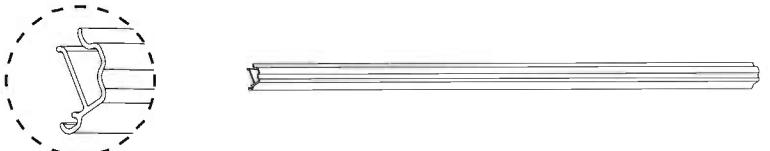
983		1
993		14


992		2
-----	---	---

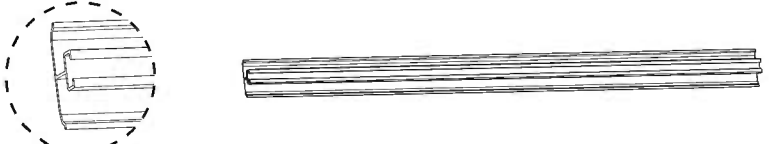
7312		1
7313		1

977		2
-----	---	---


7311		2
7310		2

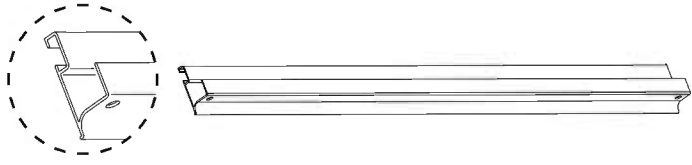
976		4
981		8

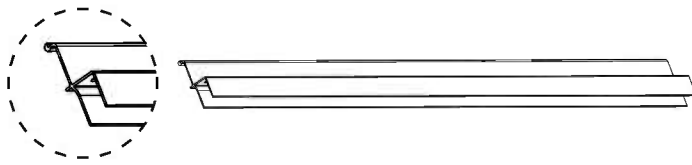
256		8
-----	--	---

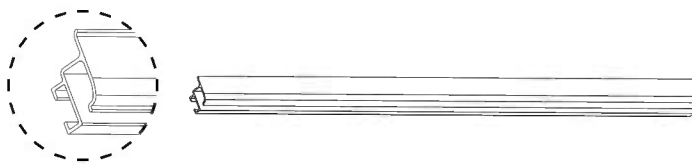
999		5
-----	---	---

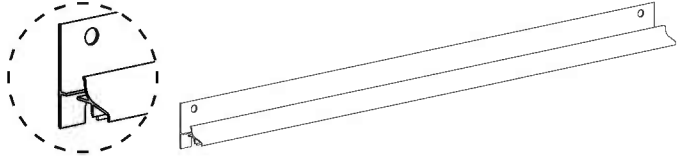
# Contents

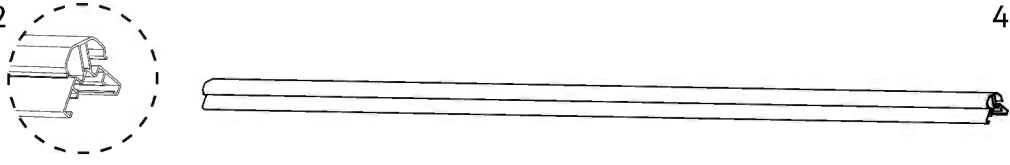
Item	Qty.
984 	2

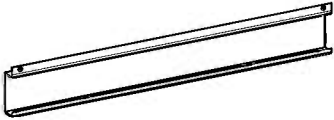
991 	1
---	---


989 	1
---	---

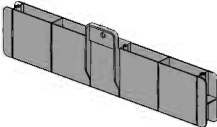
990 	1
--	---

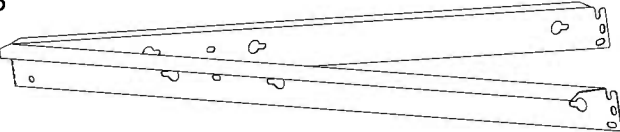
986 	1
---	---

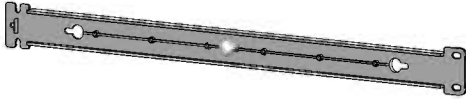
9802 	4
---	---

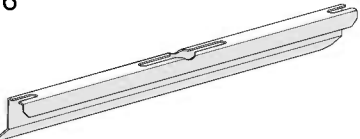
1194 	2
--	---

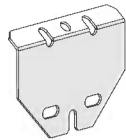
1195 	6
---	---


8447 	4
--	---

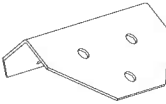
955 	1
---	---

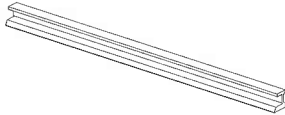
8549 	2
--	---

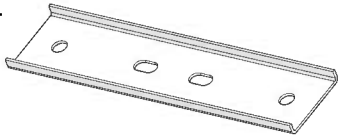
7316 	1
--	---


Item	Qty.
08 	2

8710 	3
--	---

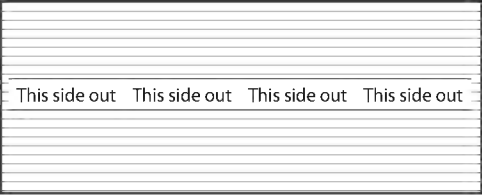

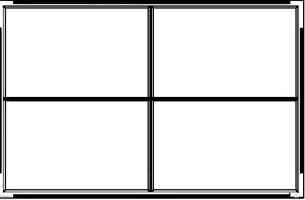
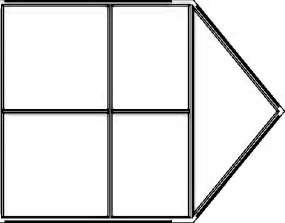
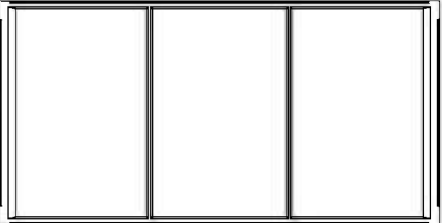
07 	1
--	---

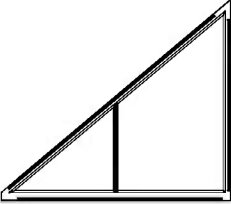
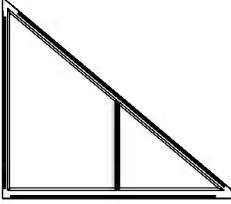



8378 	4
---	---


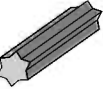
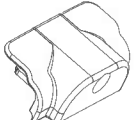
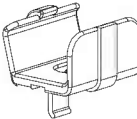
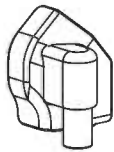
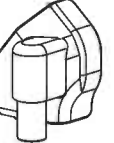
7314 	2
--	---


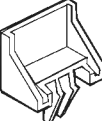
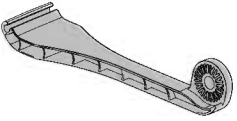
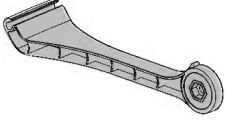



956 	1
---	---

# Contents

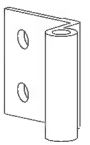
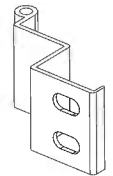

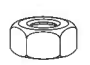
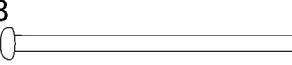
Item		Qty.
581		7
586		2
567		2
553		1
7011		13

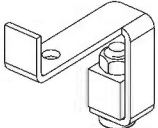
Item		Qty.
559		2
560		2
570		1
3017		2
3016		1


Item		Qty.
318		15 (+1)
7009		2 (+1)
329		6
292		2
344 L		2
344 R		2


Item		Qty.
343		2
328		19 (+5)
8797		1
8798		1
8801		1
8799		1
8800		1

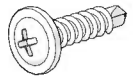
# Contents


Item	Qty.
464 	4
462 	2
465 	8 (+1)
422 	8 (+1)
463 	2


4037 	1
--	---

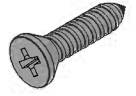
411 	133 (+6)
---	-------------

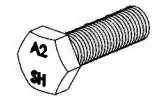
412 	130 (+9)
---	-------------


4008 	10 (+1)
--	------------


4045 	16 (+2)
--	------------

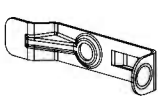
7442 	52 (+3)
--	------------

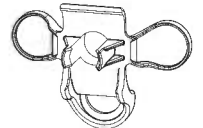
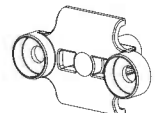

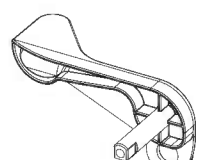


4043 	6 (+1)
--	-----------

410 	1
---	---

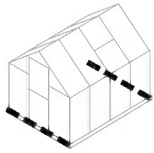
4044 	2
--	---

466 	2
---	---

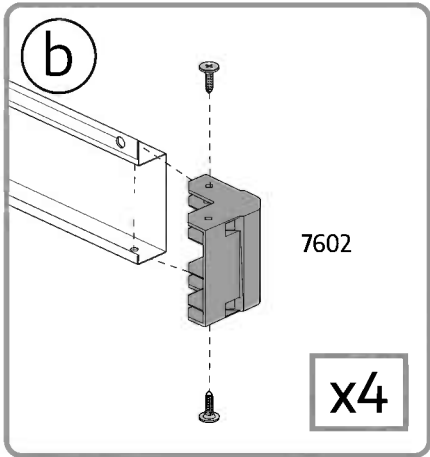
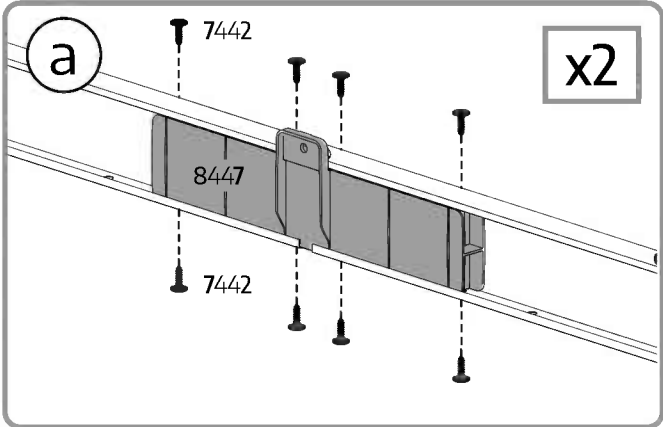
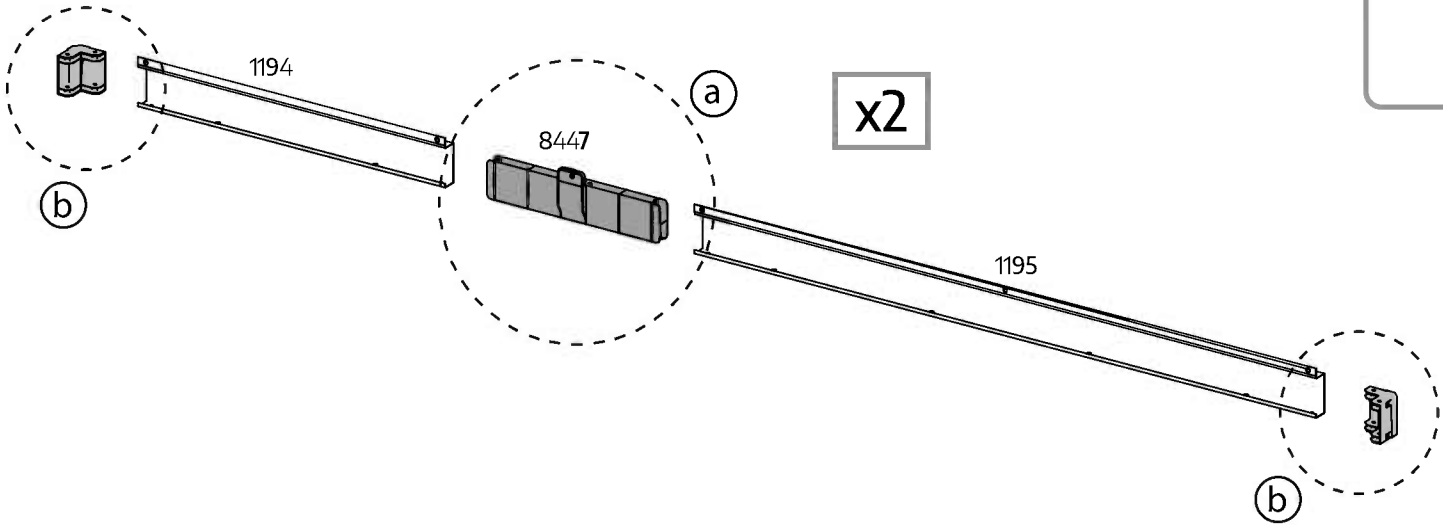
9953 	2
---	---

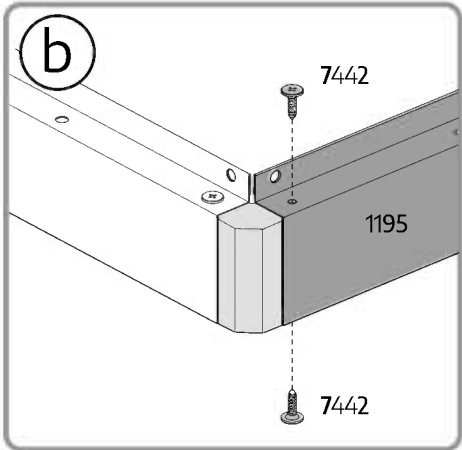
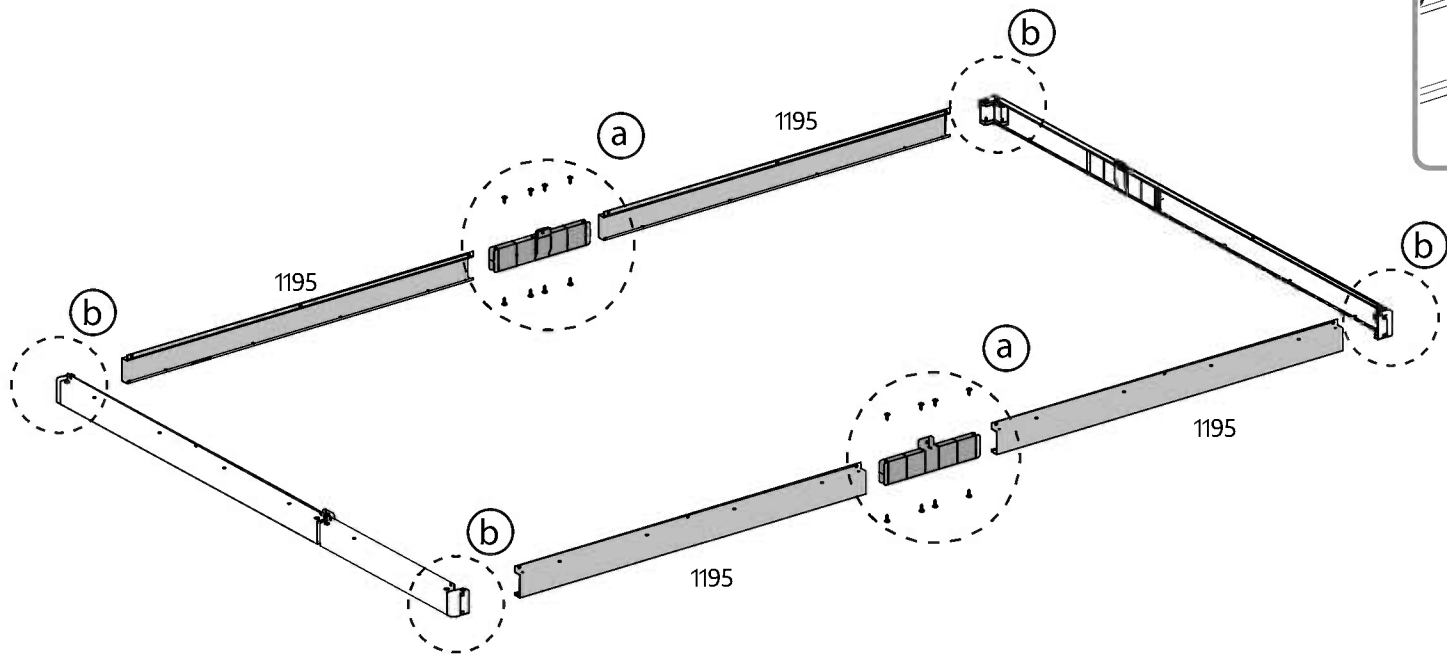
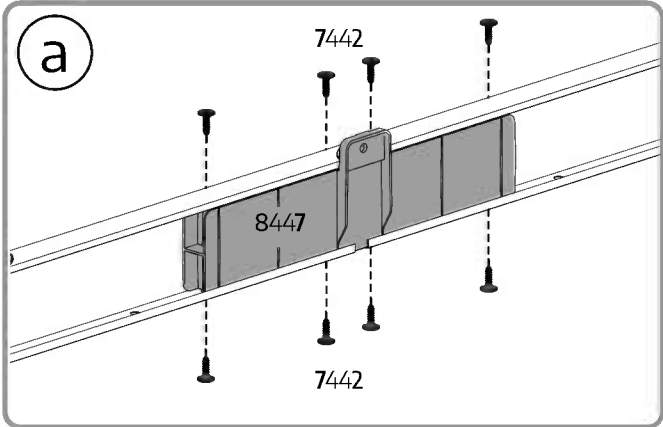
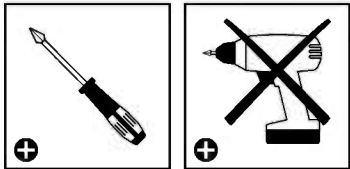
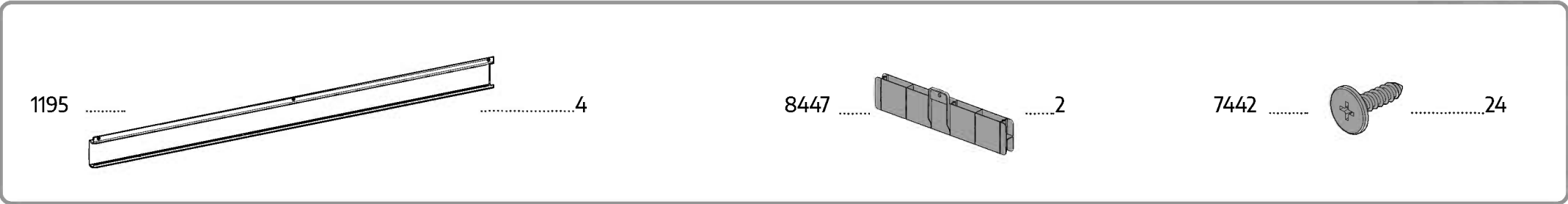
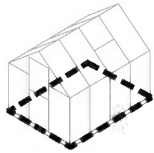
Item	Qty.
7086 	1
7085 	1
7084 	1
7083 	1
7088  M4 x 50 mm	1
423 	1

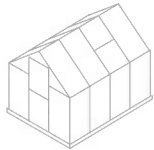
1



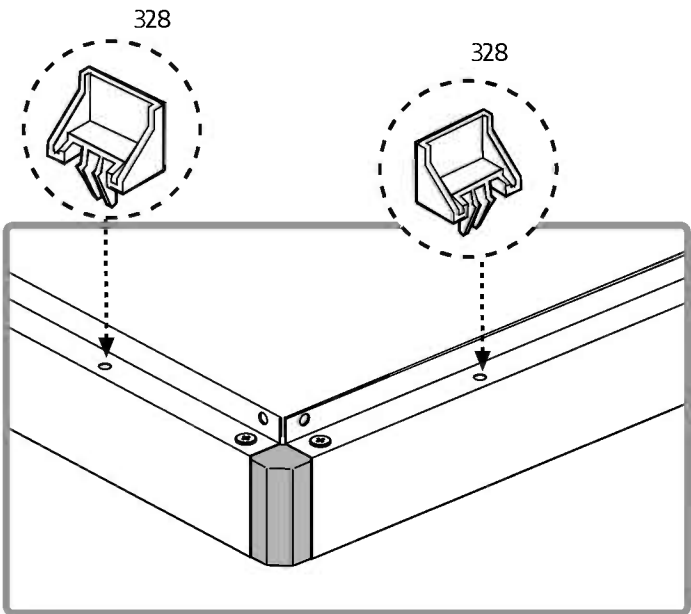
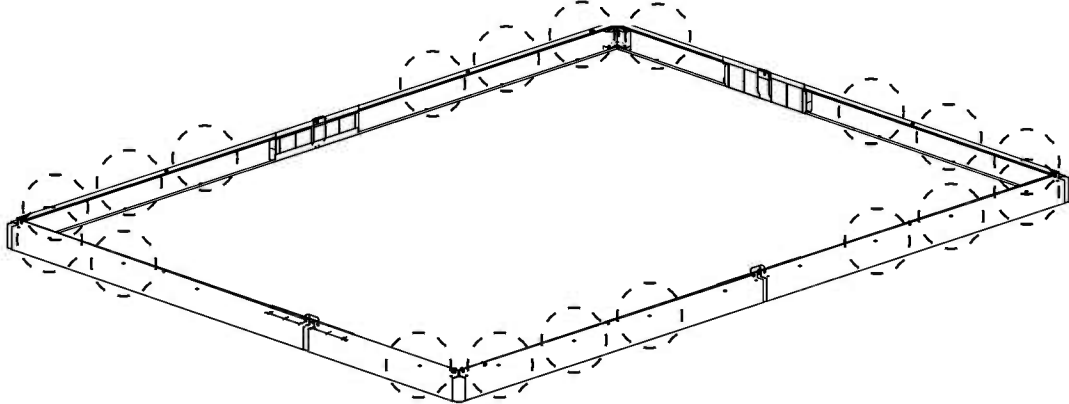
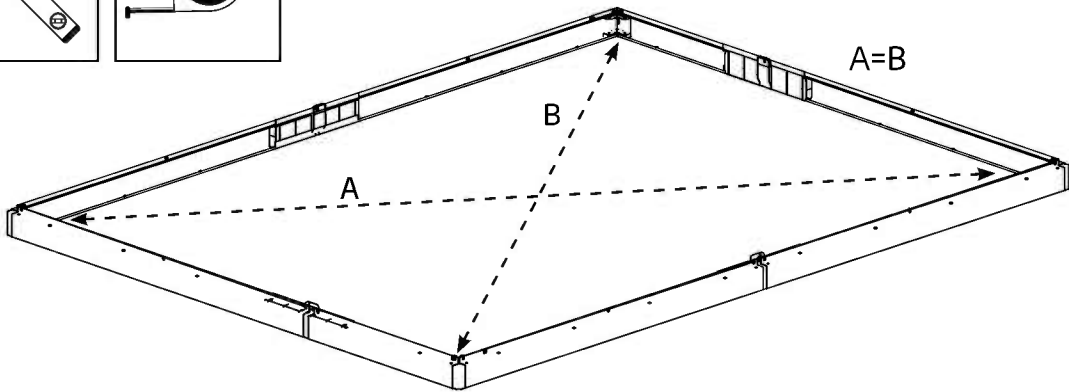
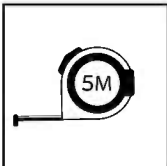
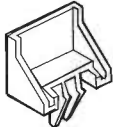
1194		.....2	8447		.....2	7442		.....24
1195		.....2	7602		.....4			

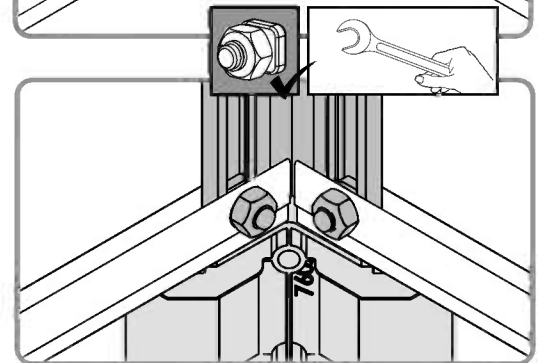
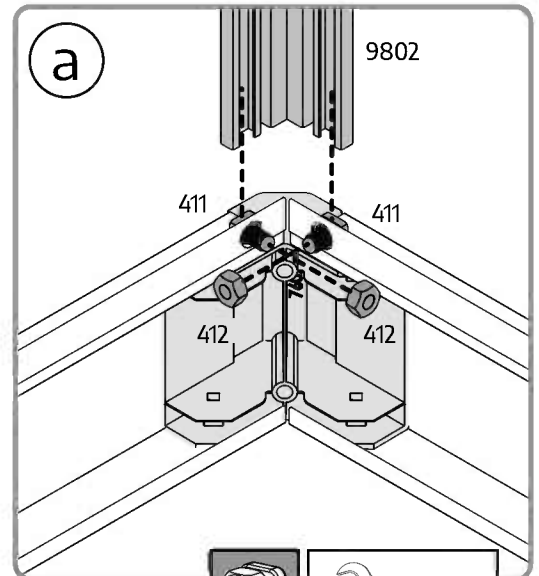
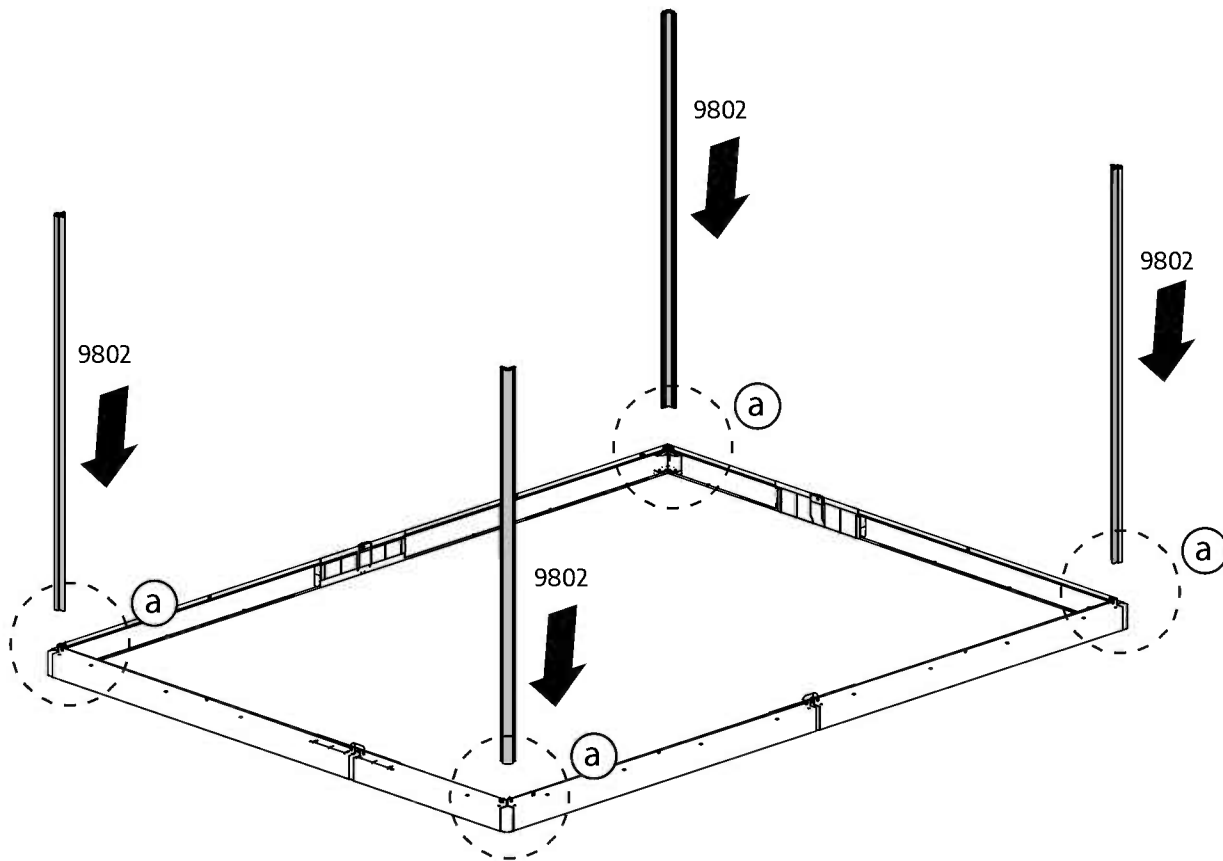
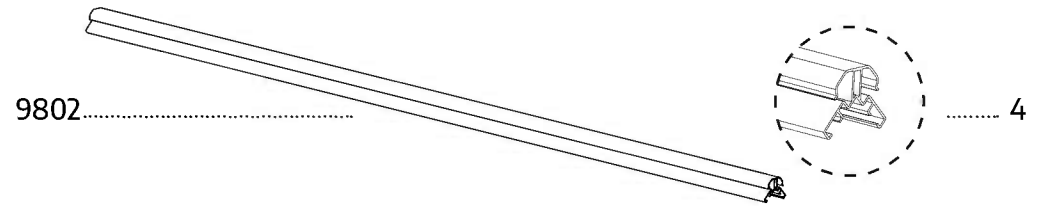
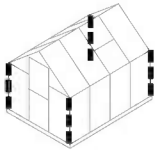


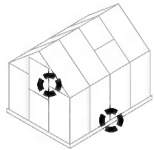




328 ..... 19

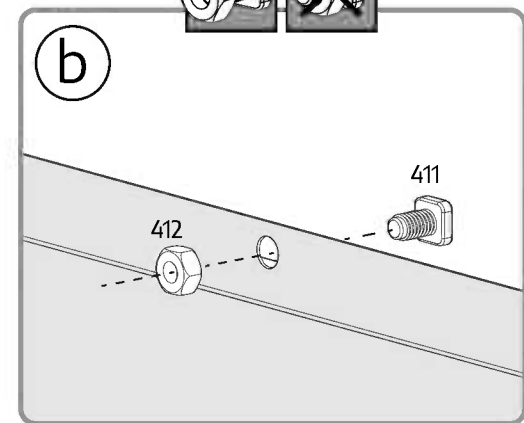
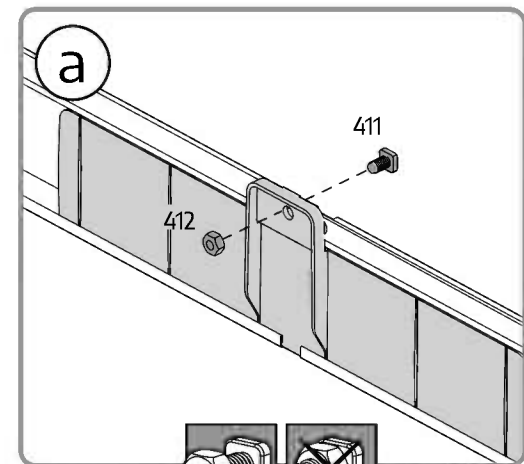
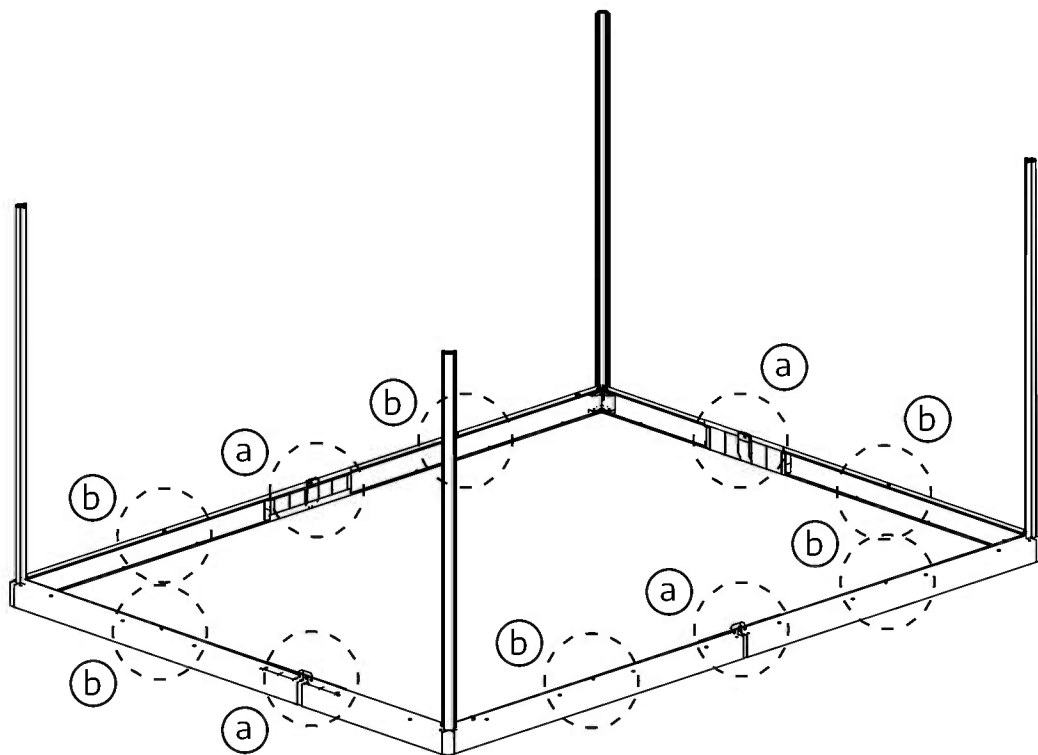






411 ..... 10

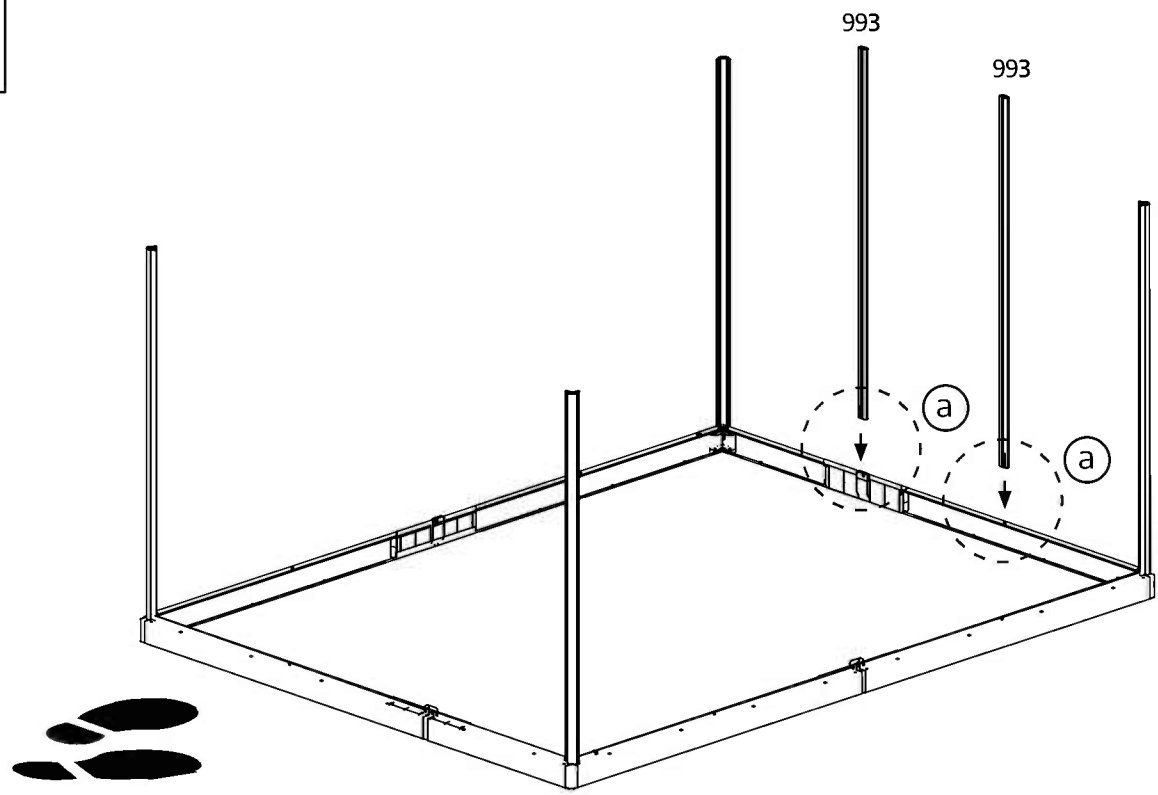
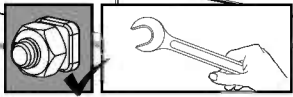
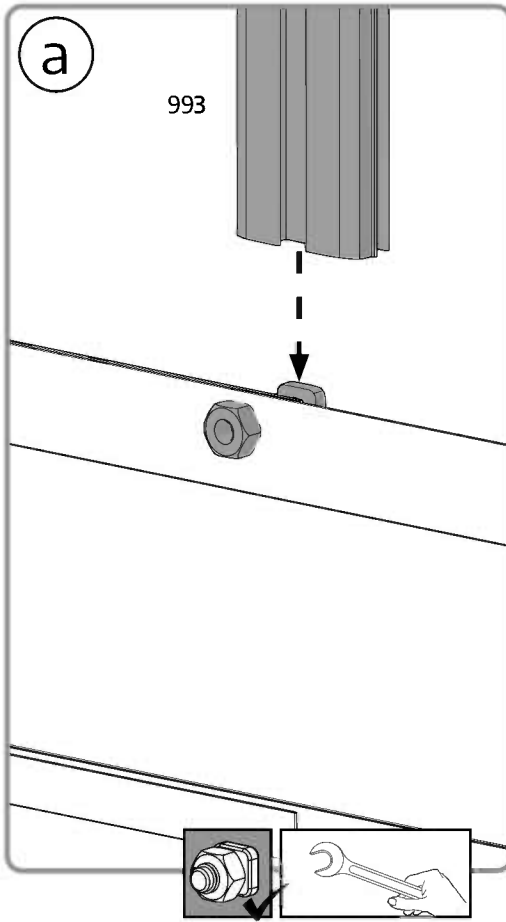
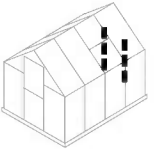
412 ..... 10

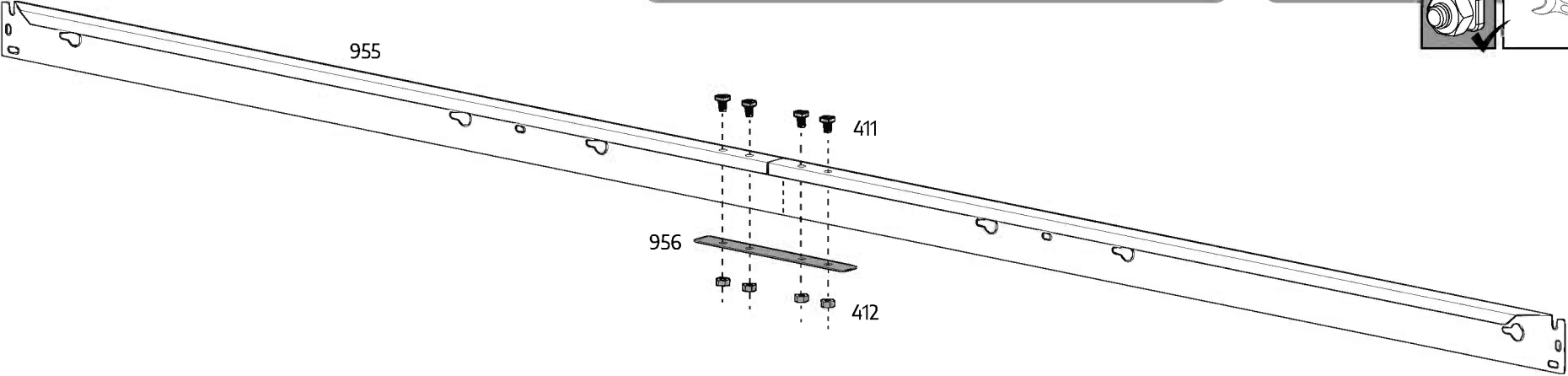
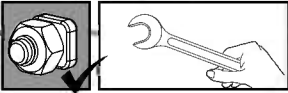
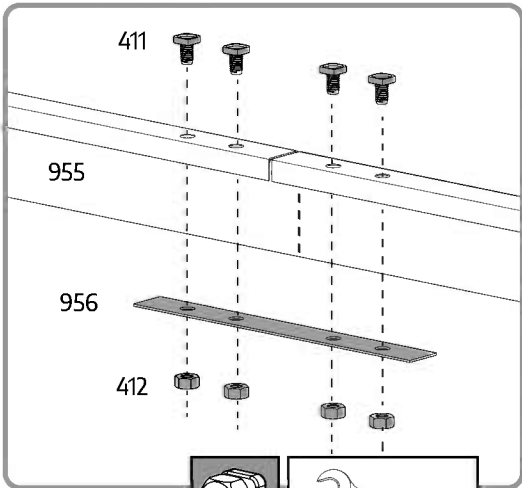
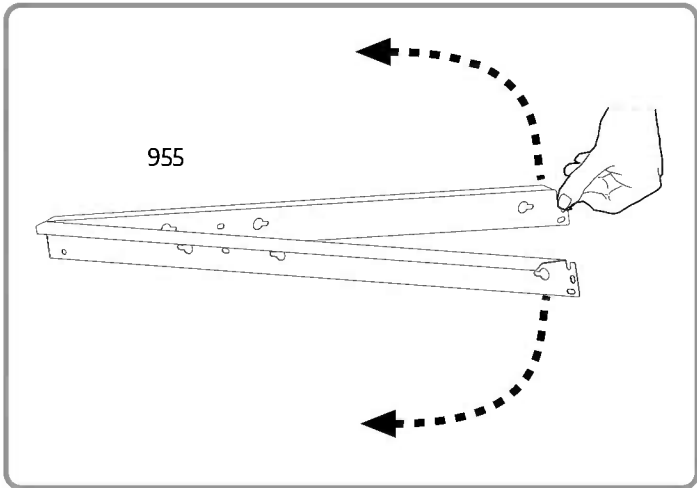
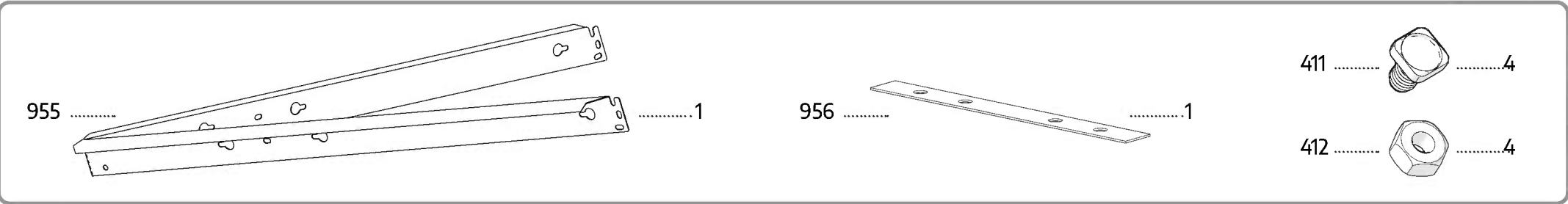
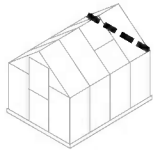


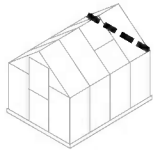
6



Determines the front side of the greenhouse.



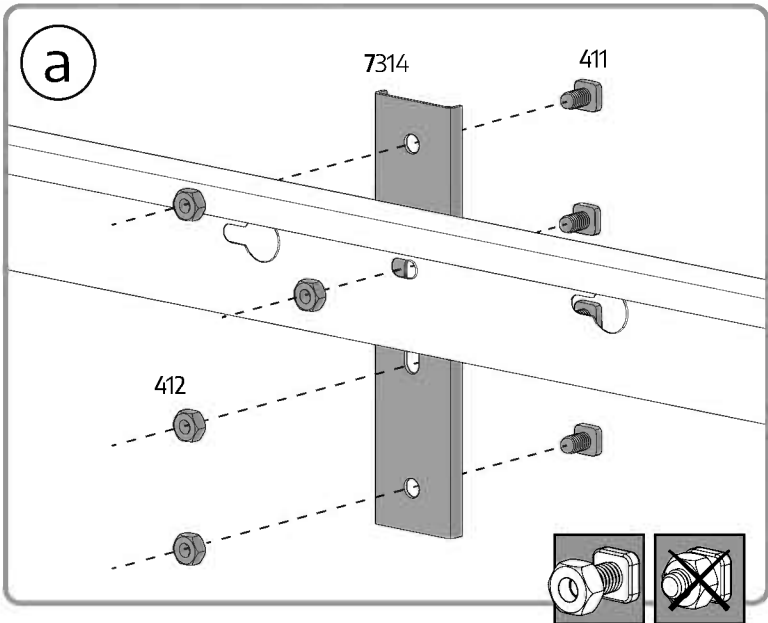
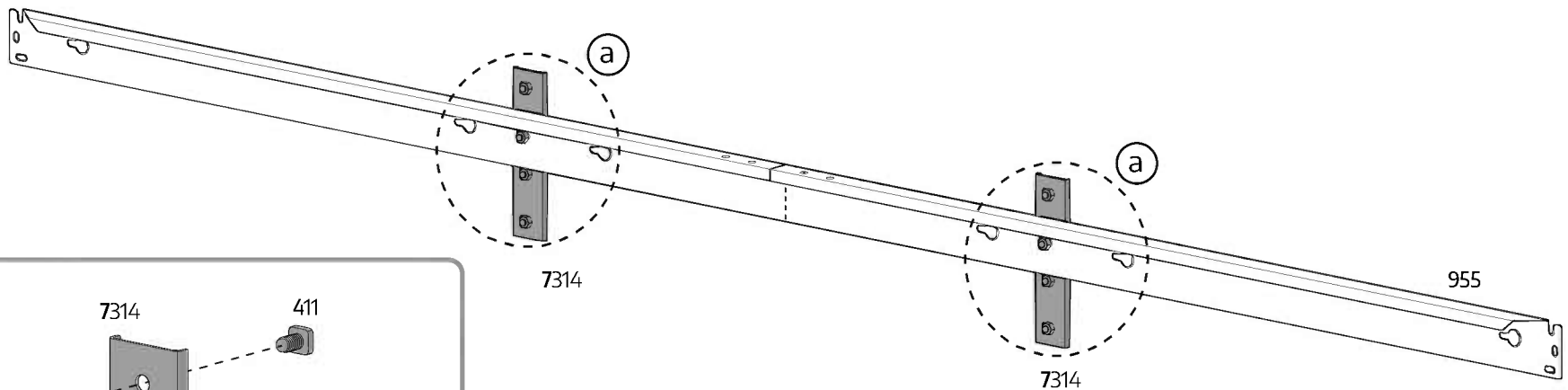


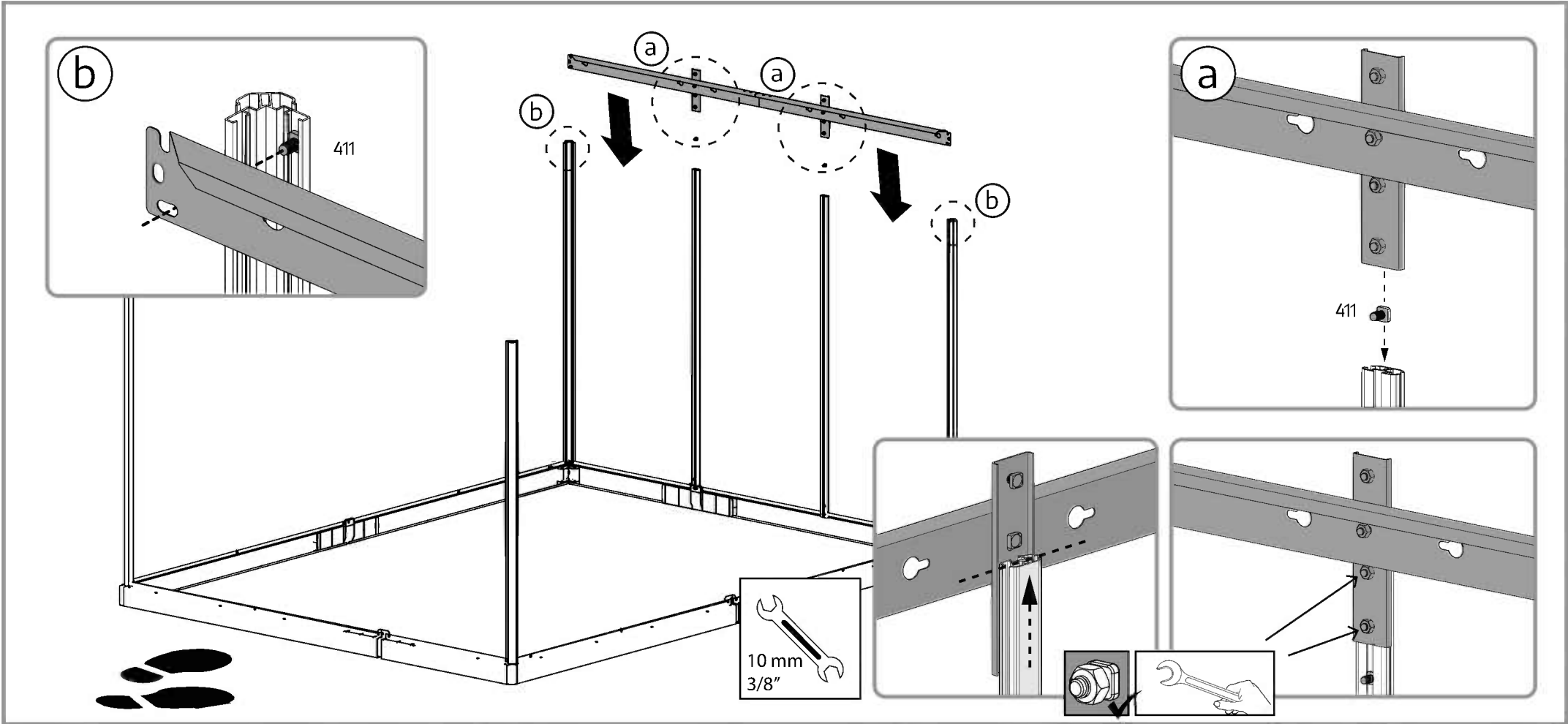
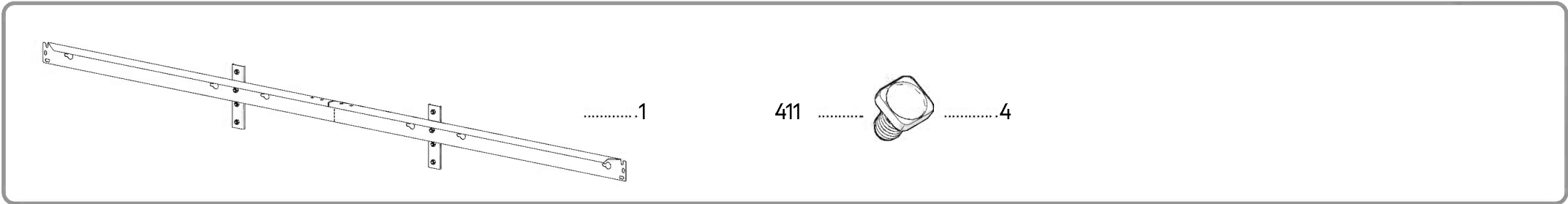
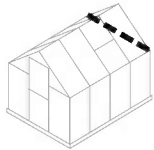


7314 ..... 2

411 ..... 8

412 ..... 8

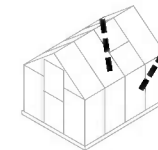




10



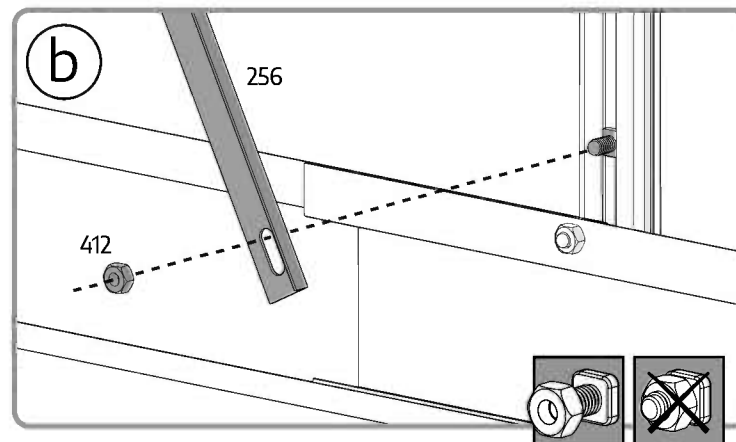
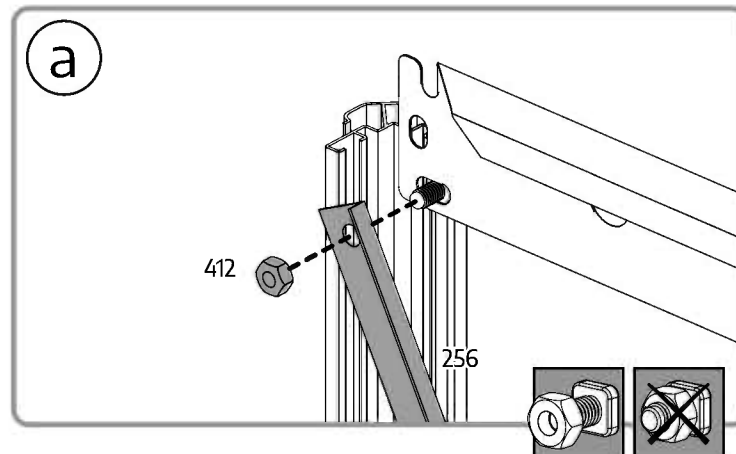
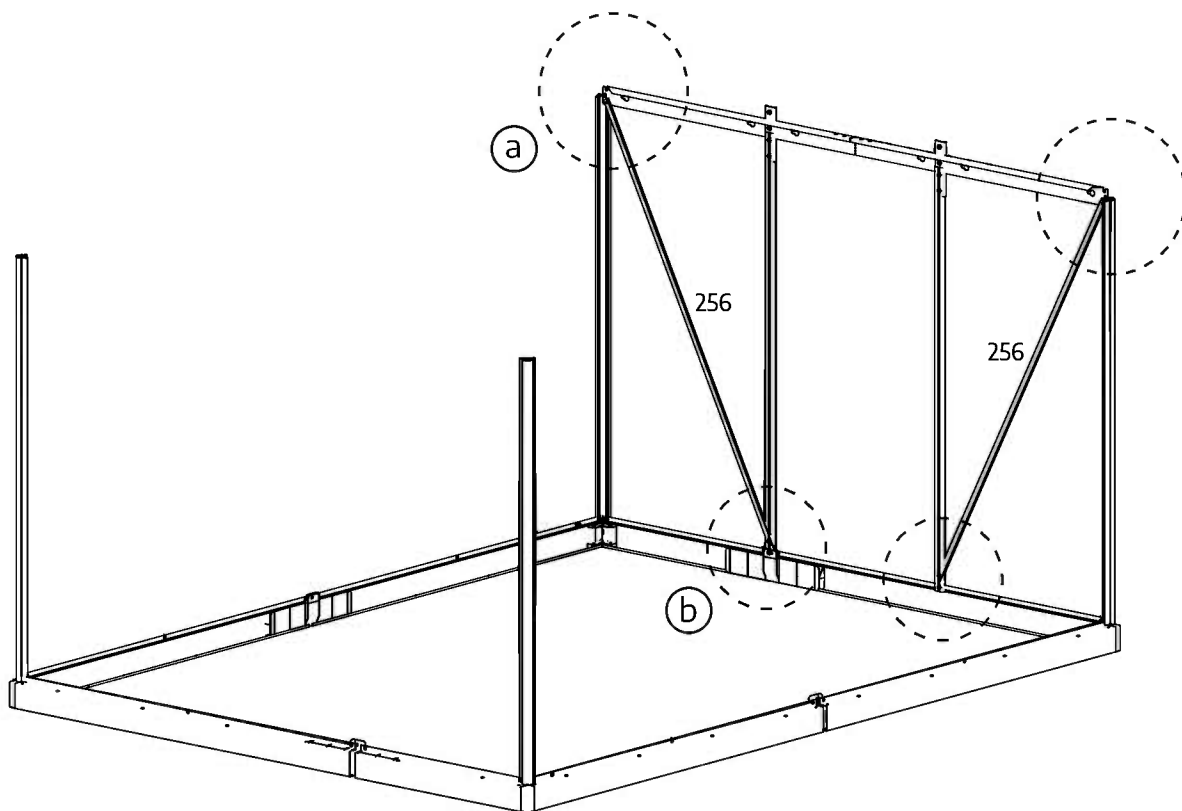
The oval hole in the crossbars. #256 should always be assembled to the base of the greenhouse.

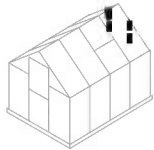


256 ..... 2



412 ..... 4



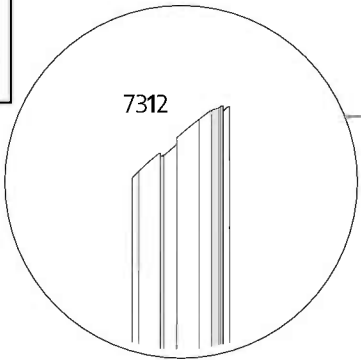


7312 .....  ..... 1

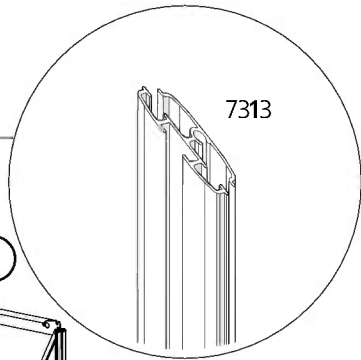
7313 .....  ..... 1



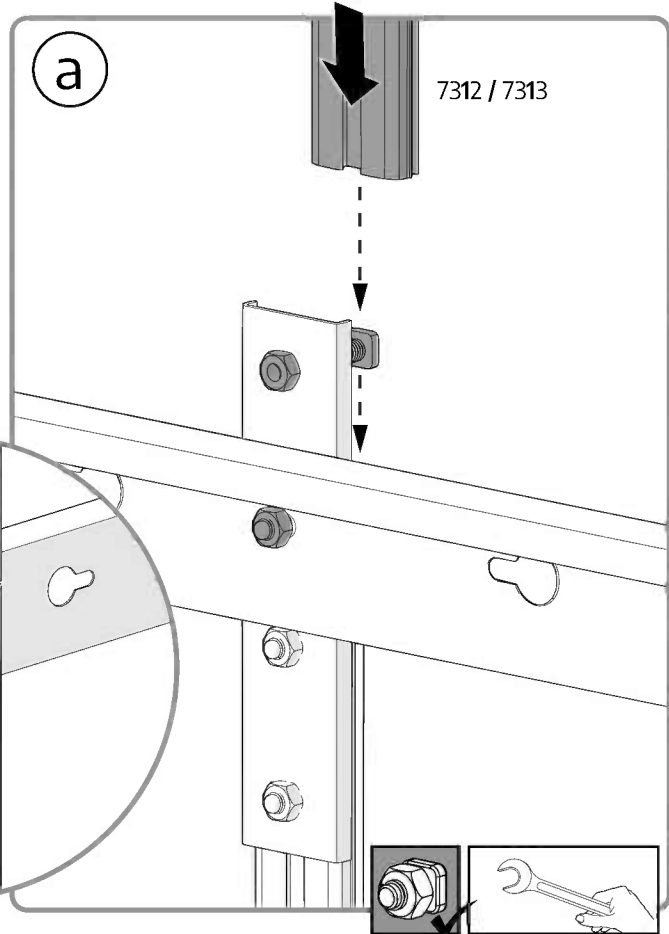
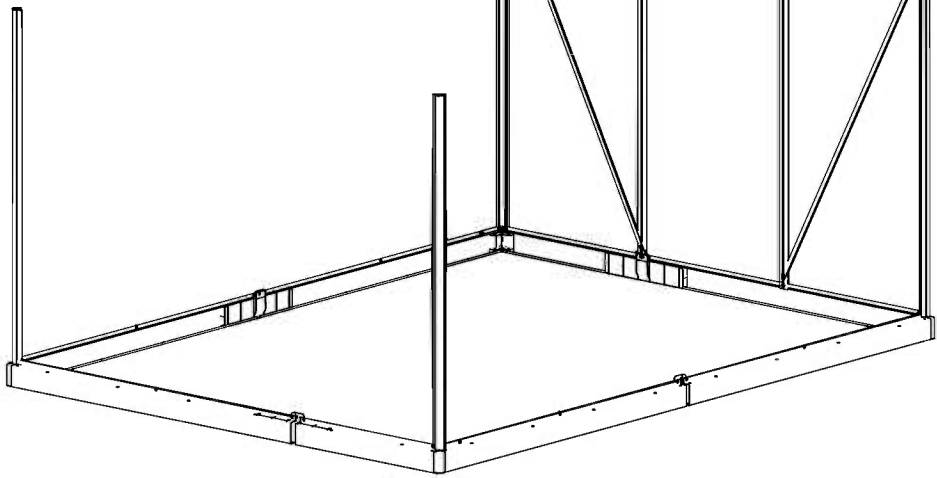
10 mm  
3/8"



7312

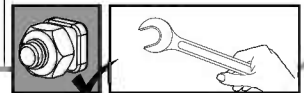


7313



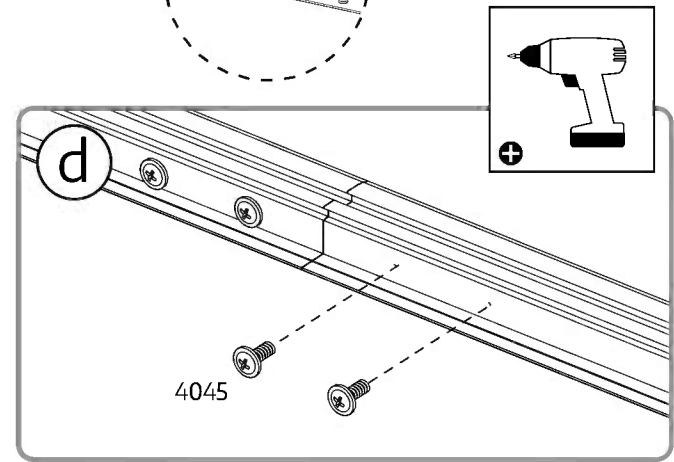
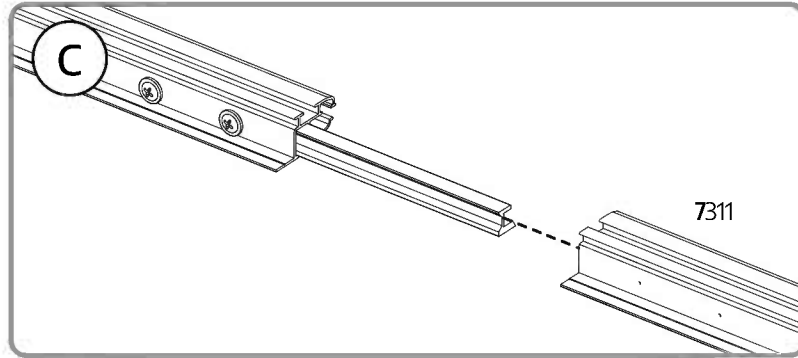
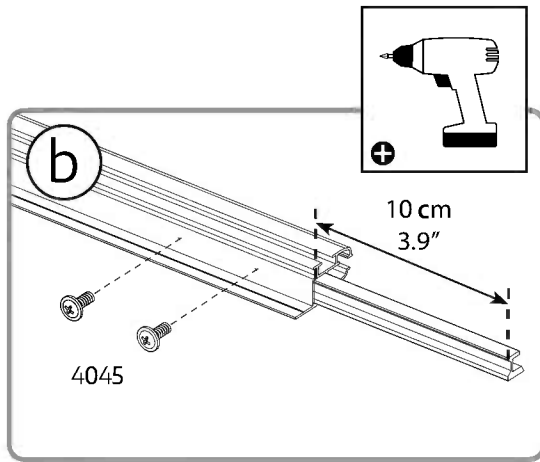
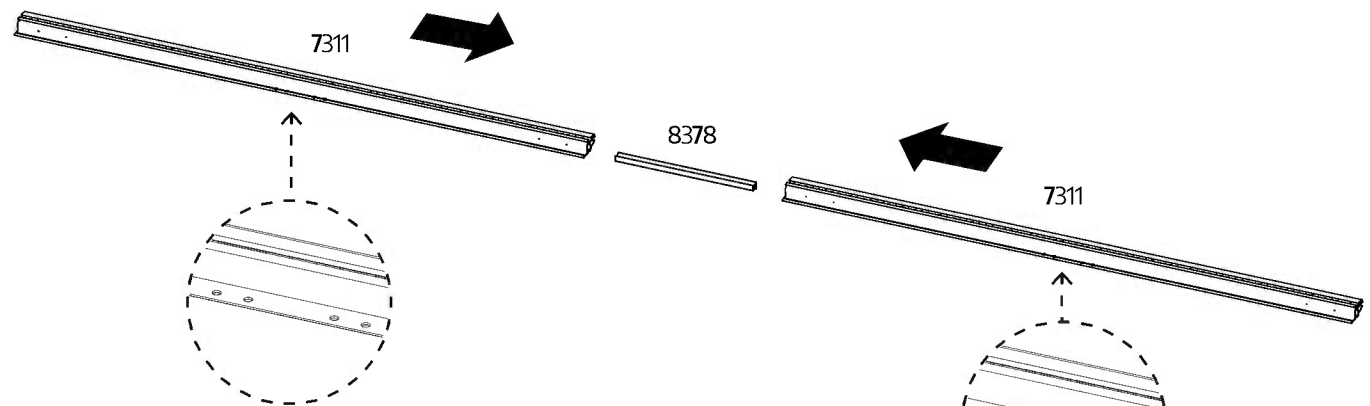
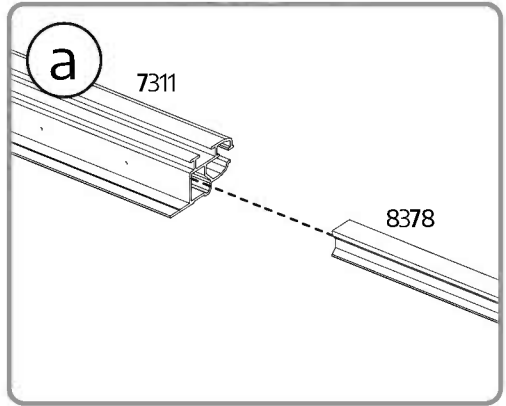
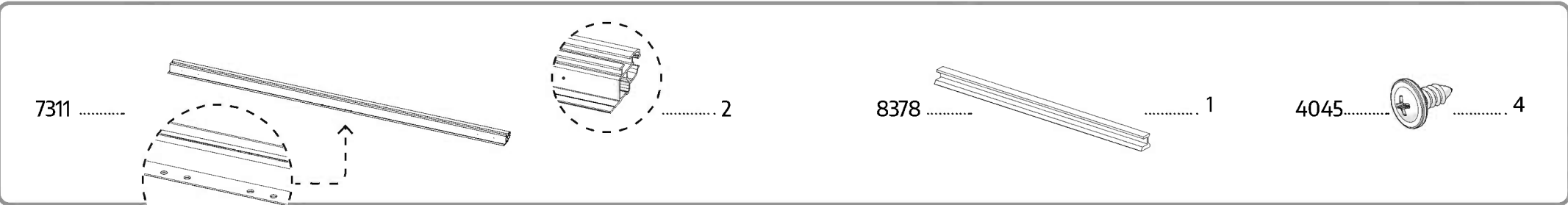
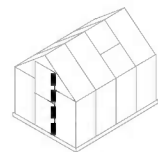
a

7312 / 7313



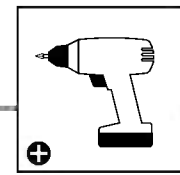
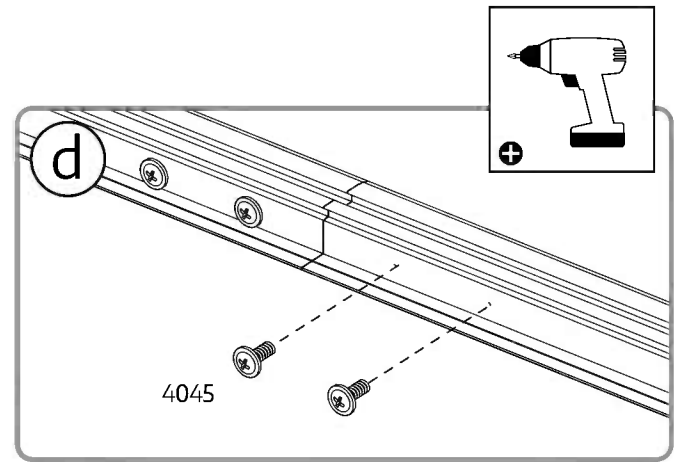
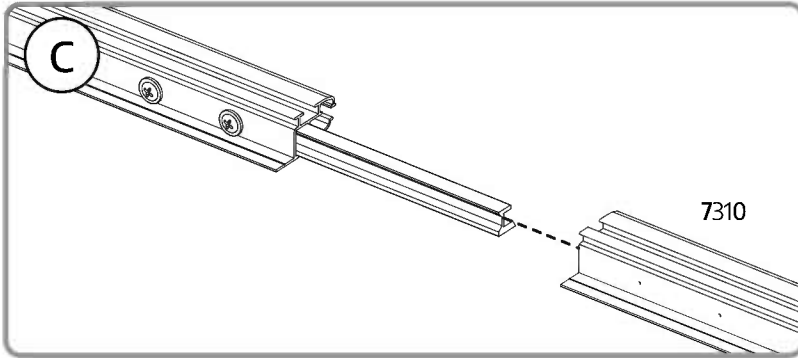
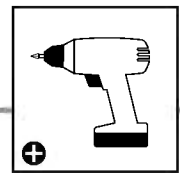
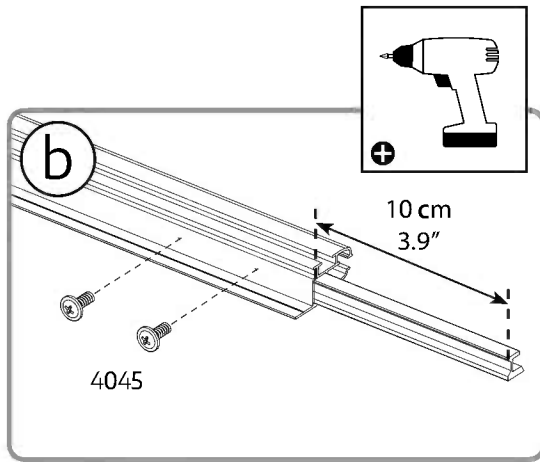
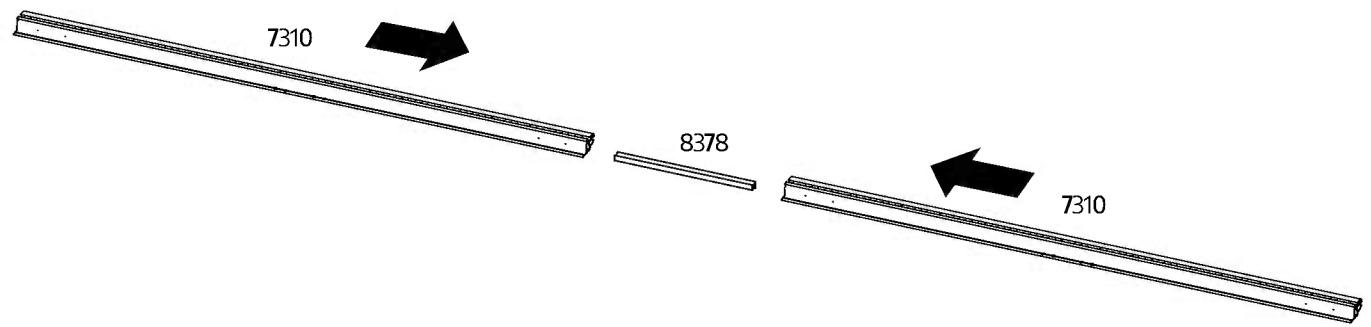
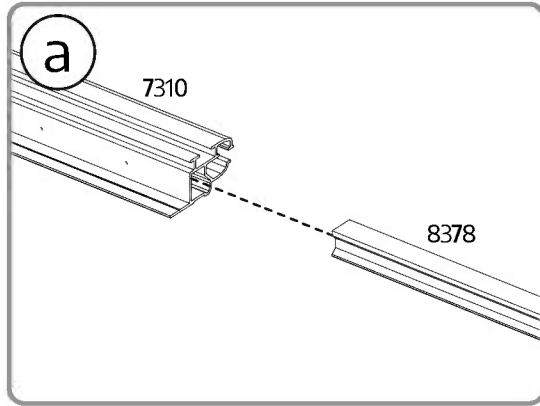
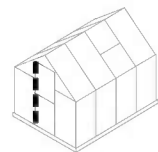


In order to insert profile #8378 in between two #7311 profiles, please apply silicone lubricant spray.



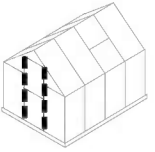


In order to insert profile #8378 in between two #7310 profiles, please apply silicone lubricant spray.



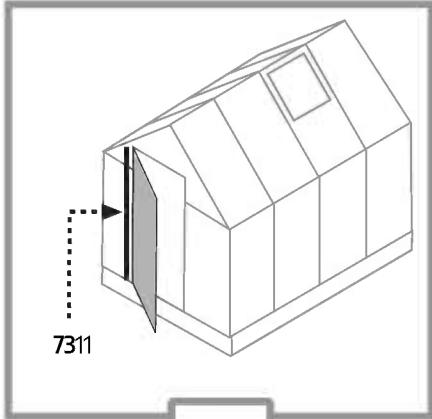


Determines door direction door post #7311 is where door hinges will be located.

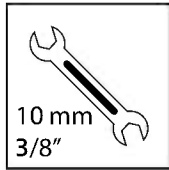
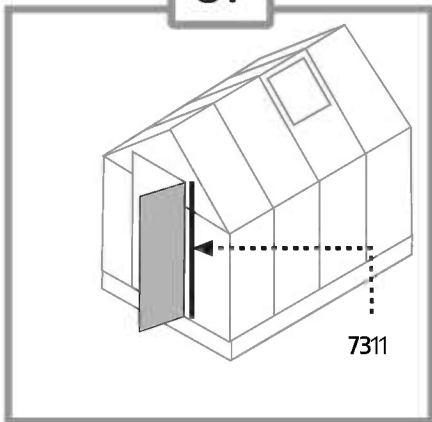


7310 .....  ..... 1

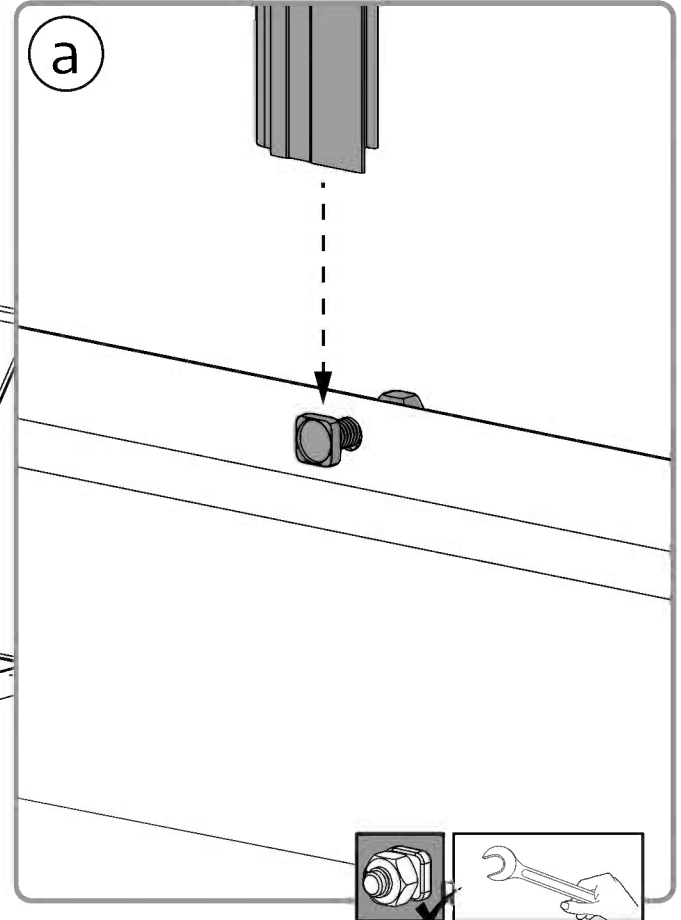
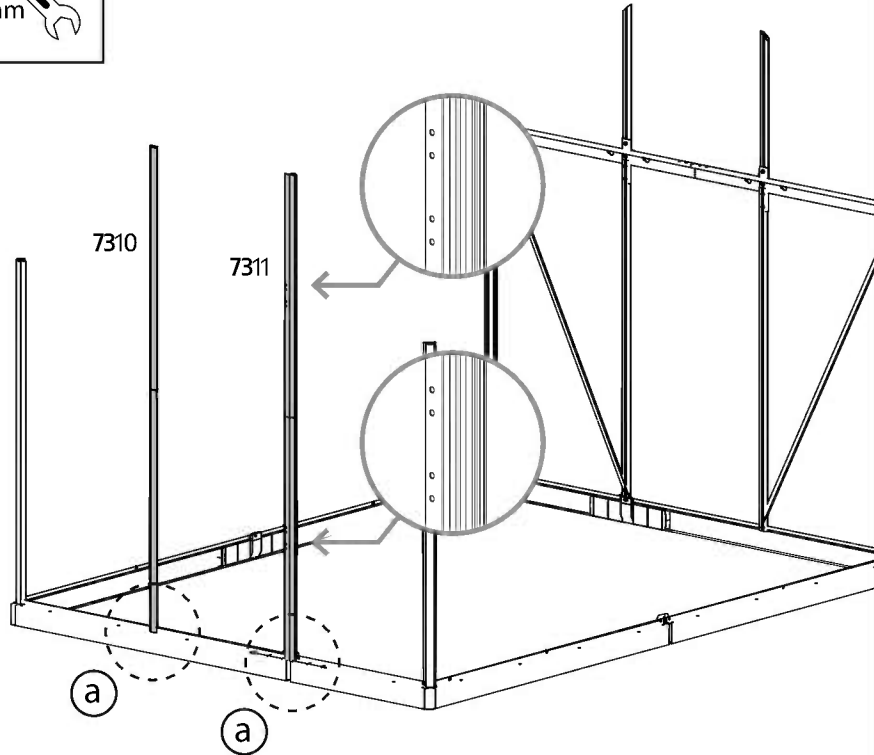
7311 .....  ..... 1

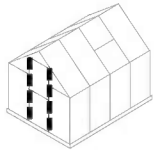


or

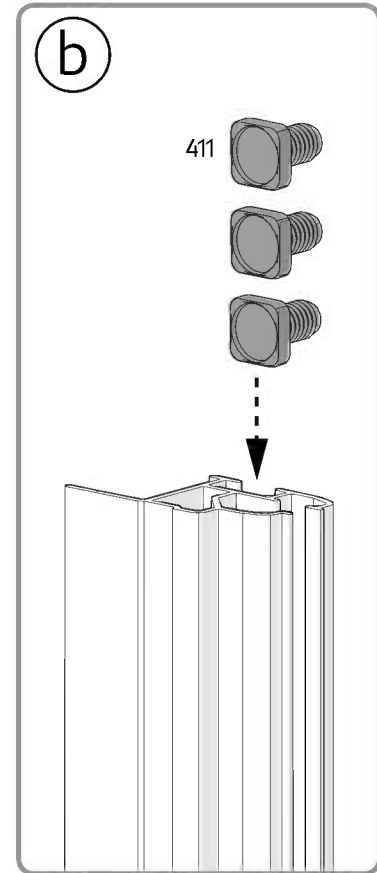
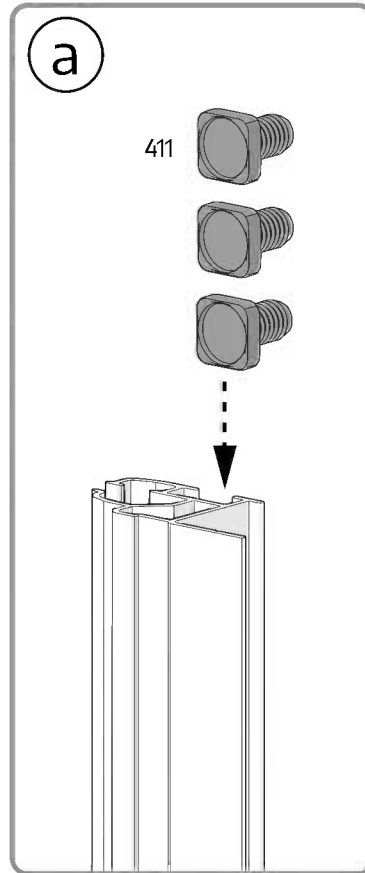
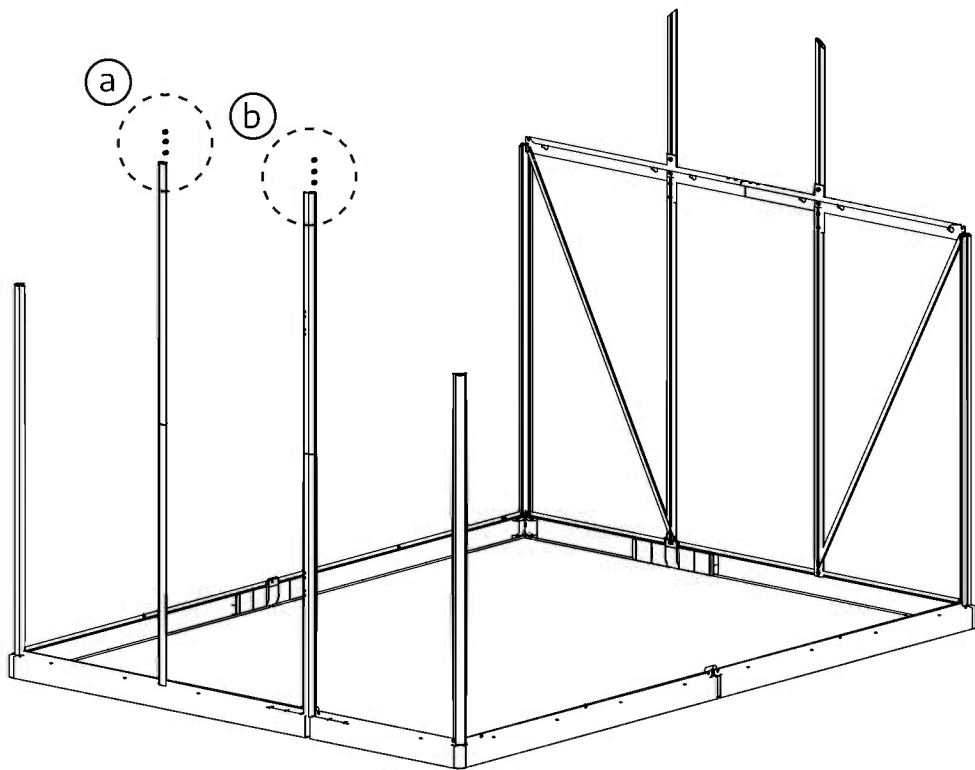


10 mm  
3/8"



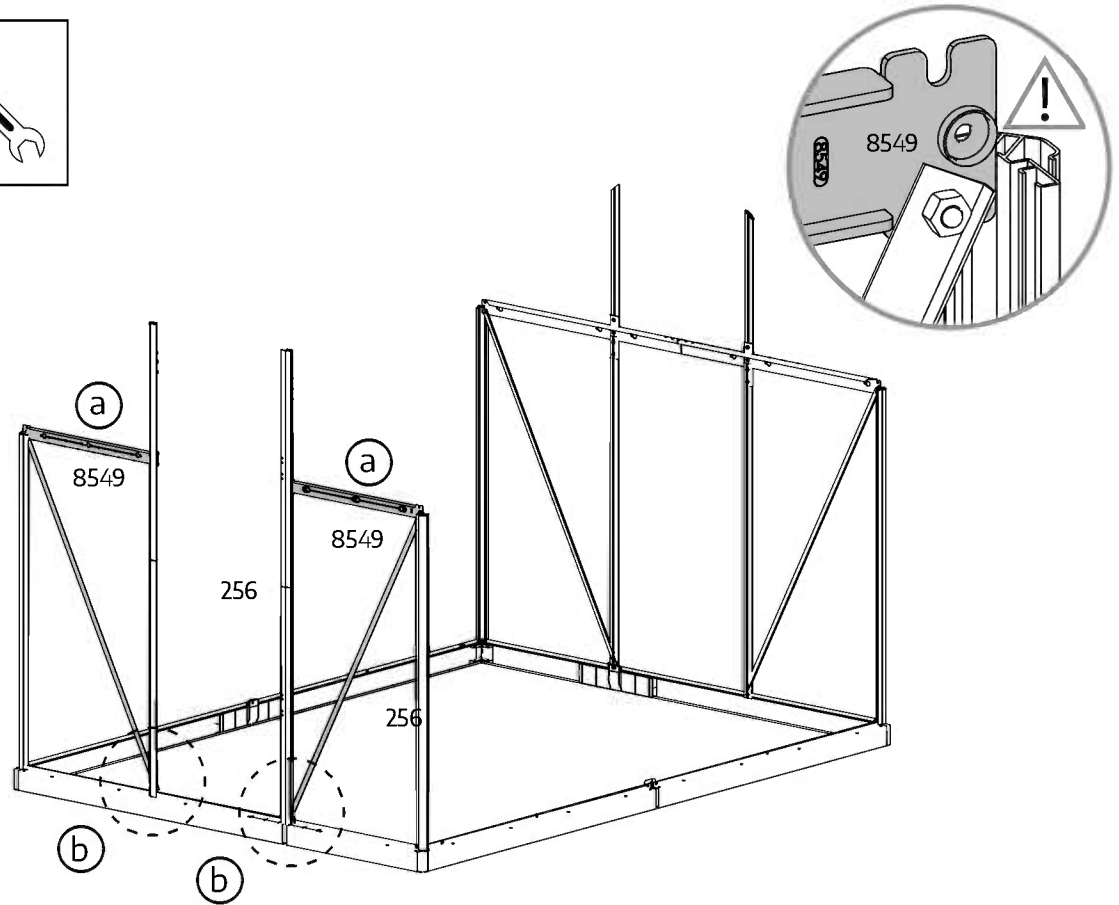
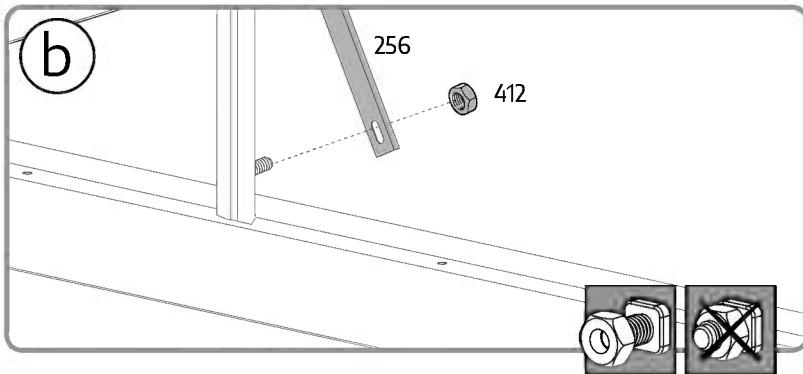
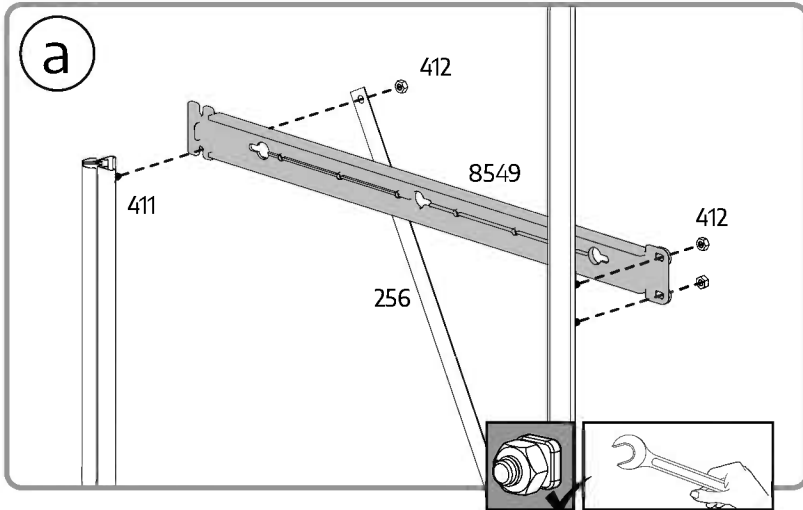
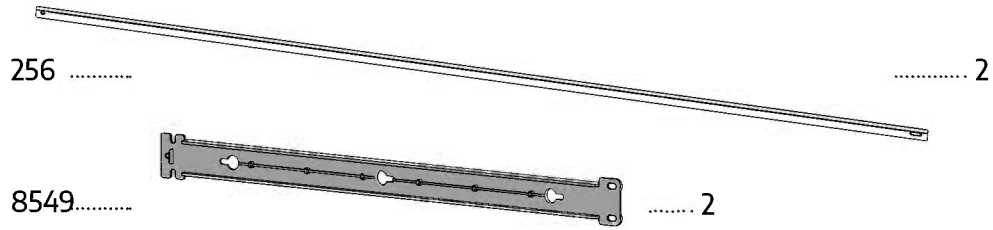
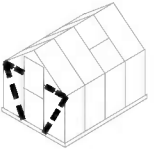


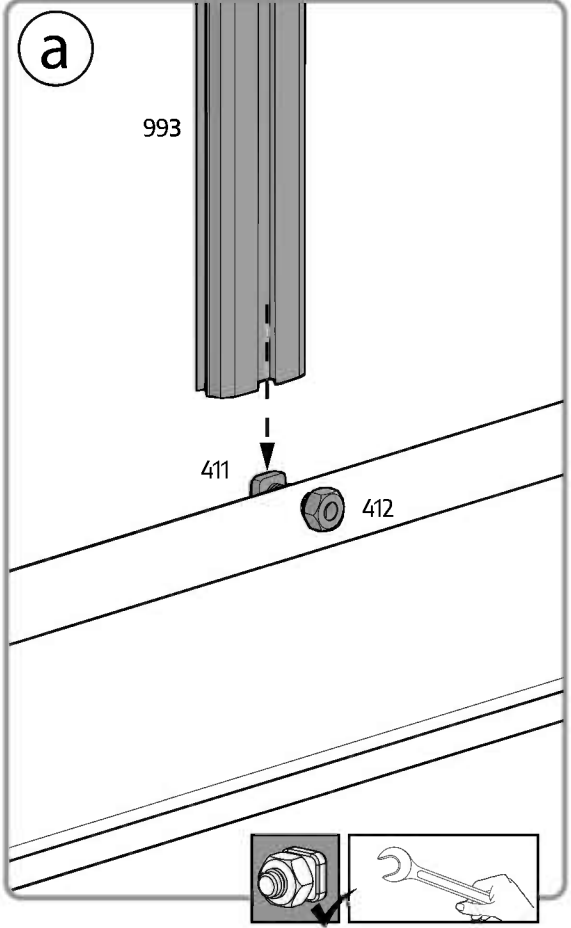
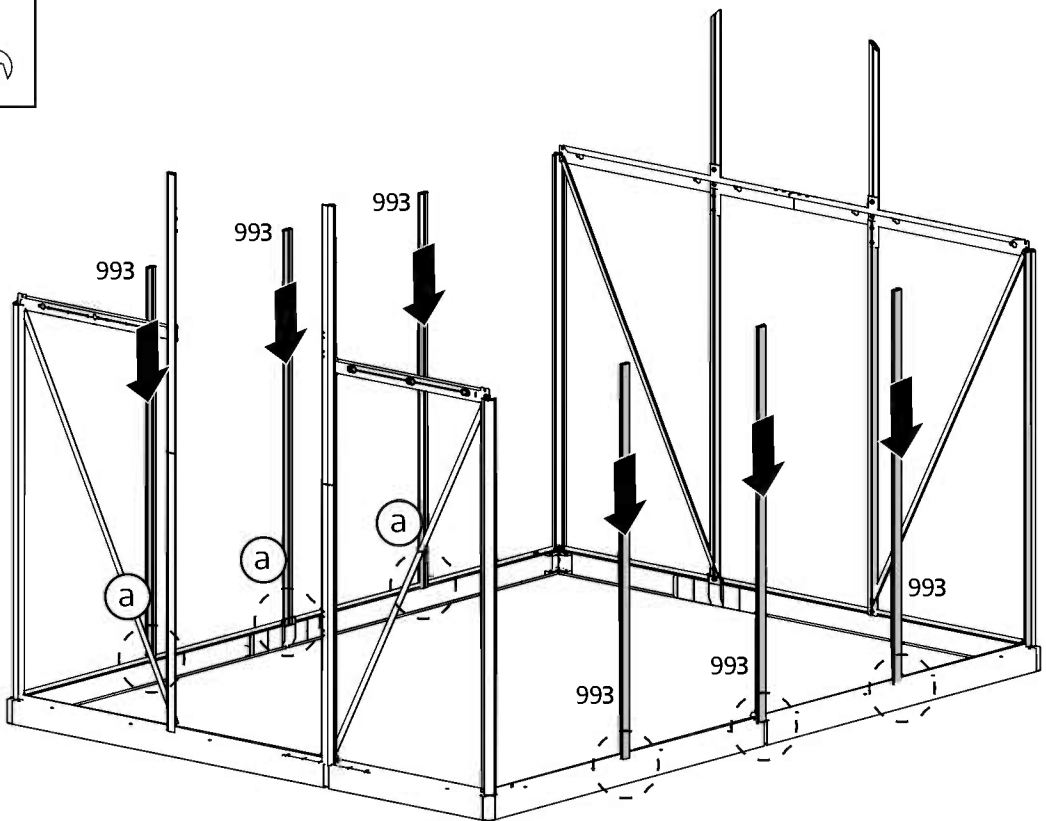
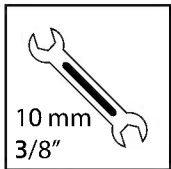
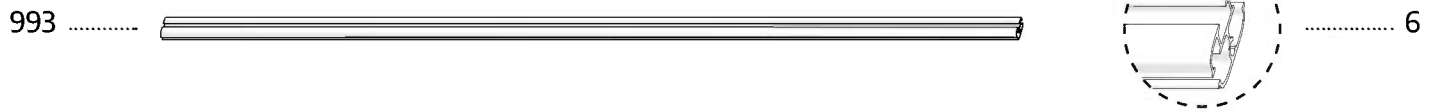
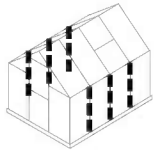
411 .....  ..... 6

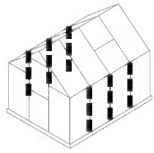




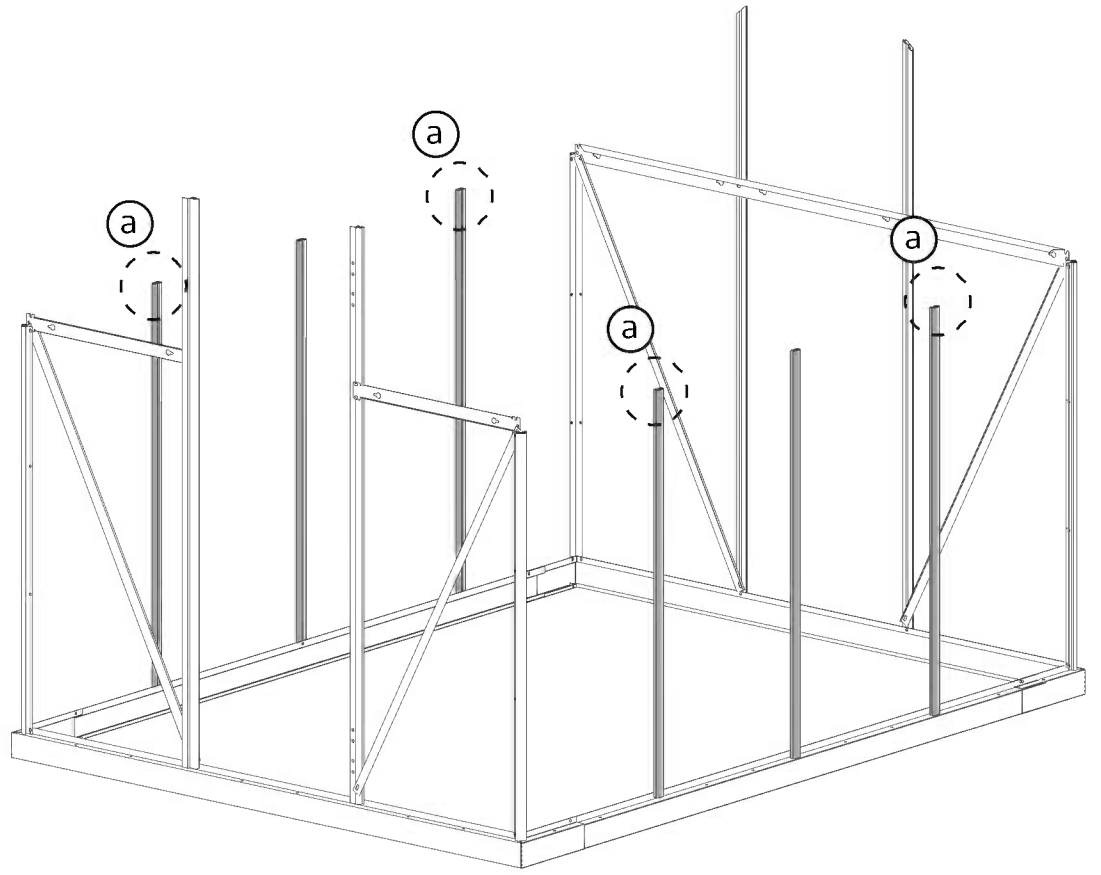
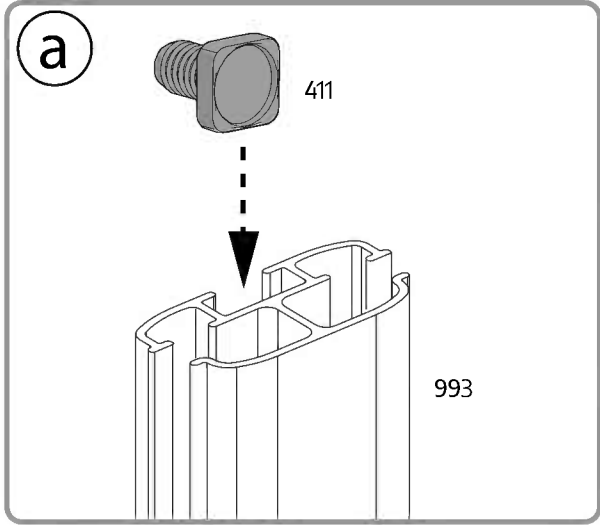
The oval hole in the crossbars. #256 should always be assembled to the base of the greenhouse.





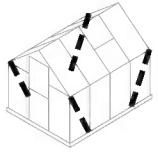


411 ..... 4

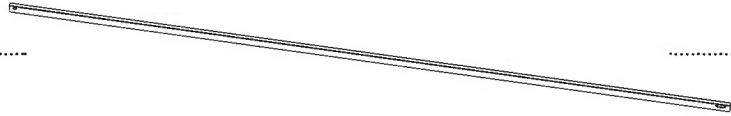




The oval hole in the crossbars. #256 should always be assembled to the base of the greenhouse.



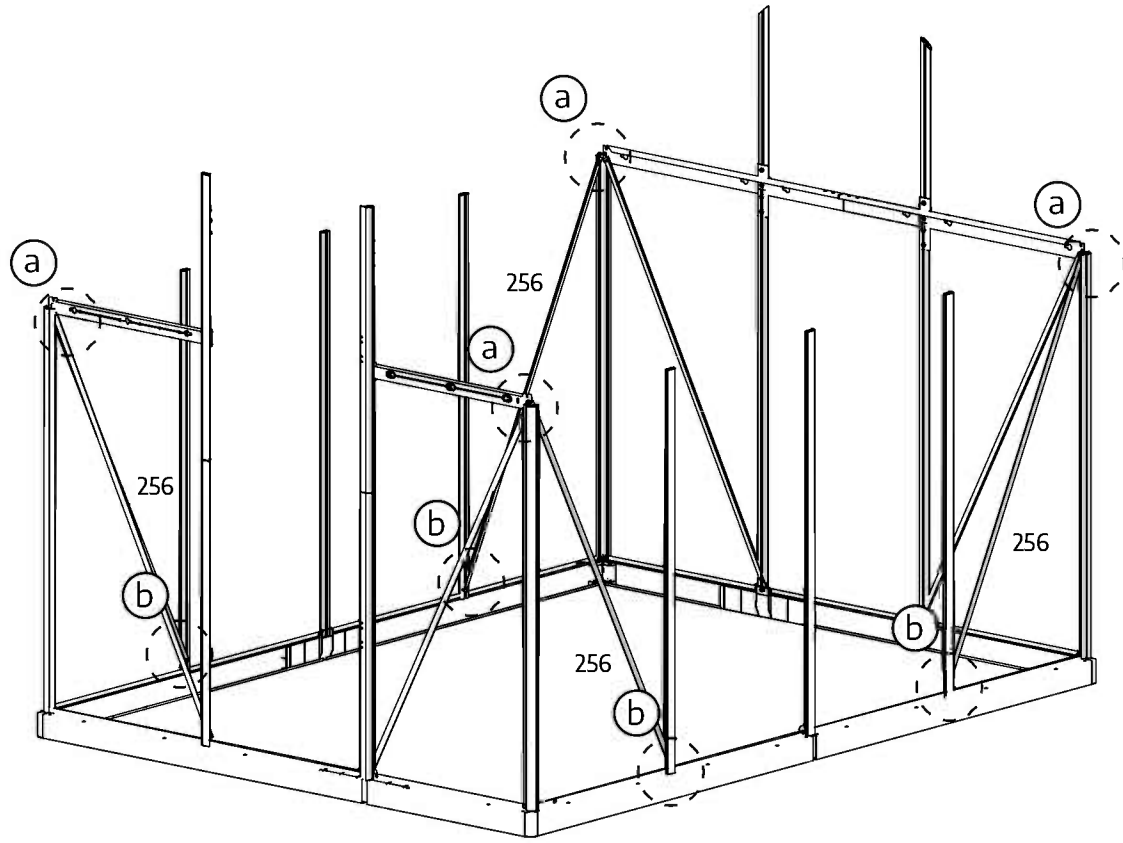
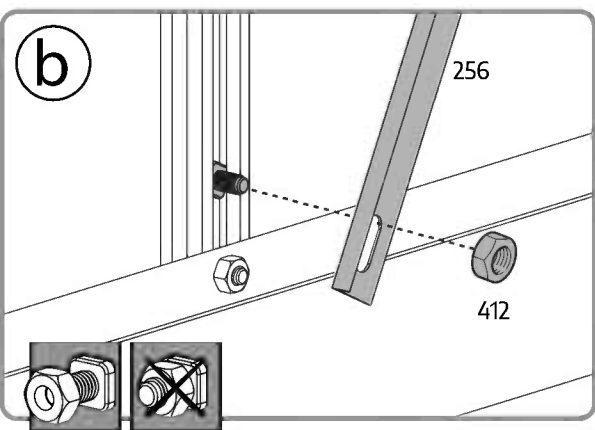
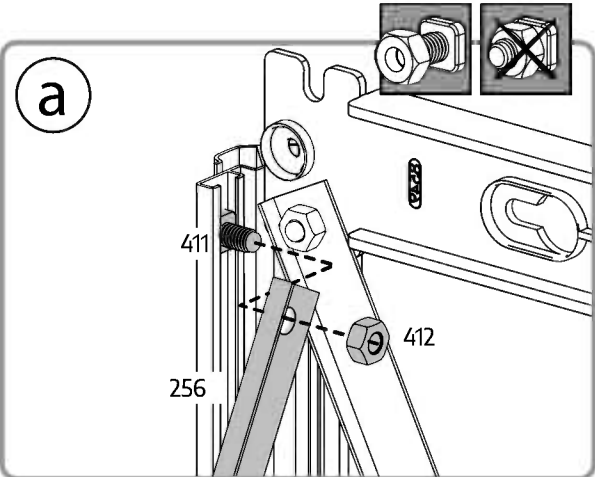
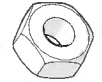
256 ..... 4

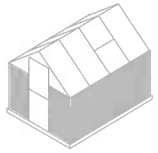


411 ..... 4

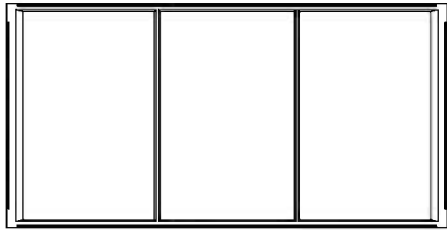


412 ..... 8

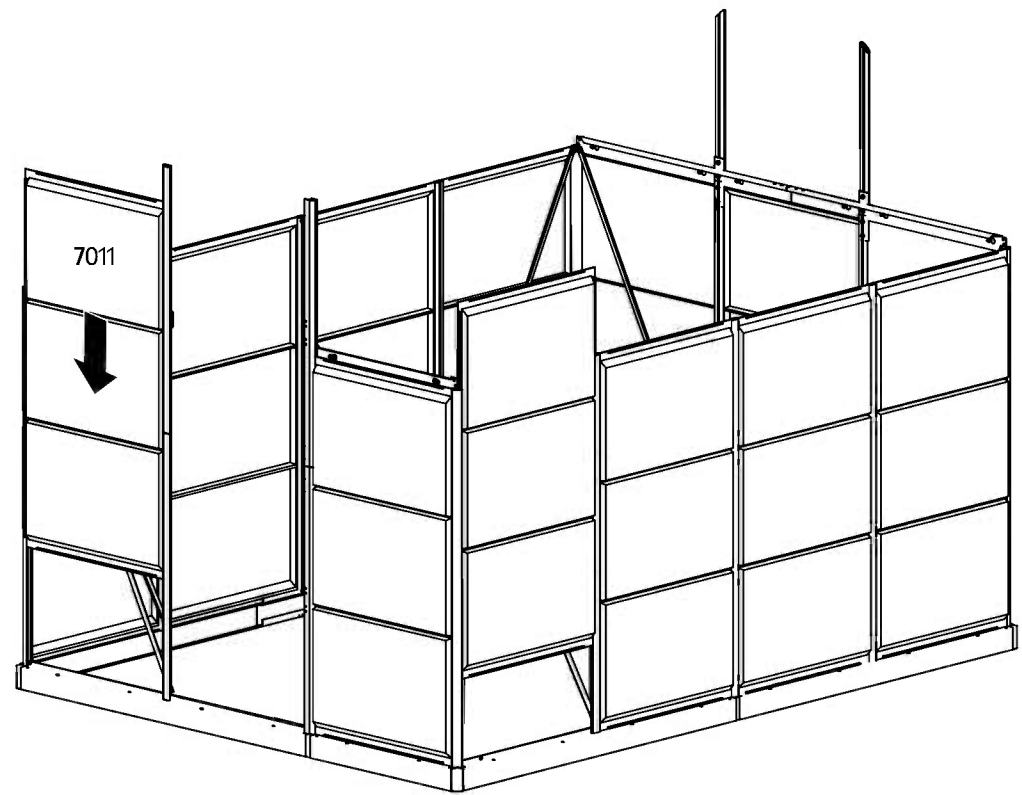
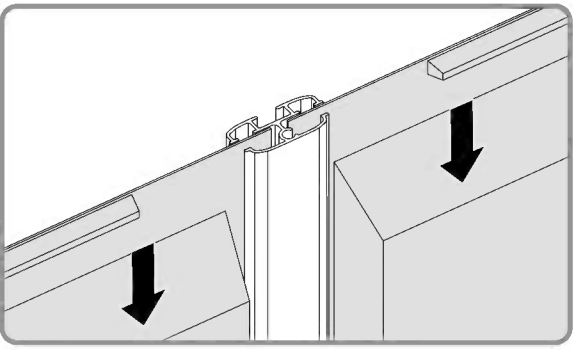
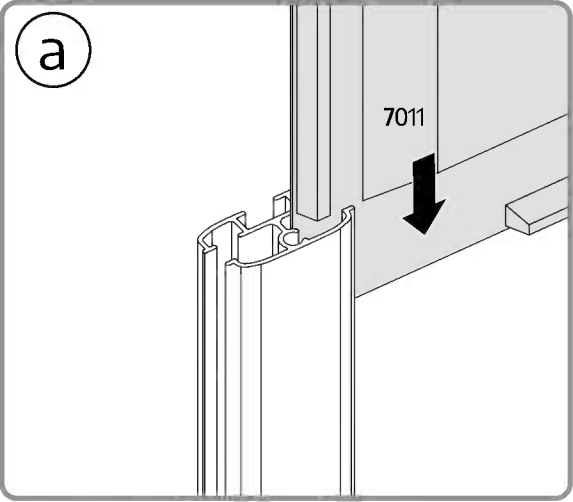


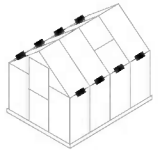


7011 .....

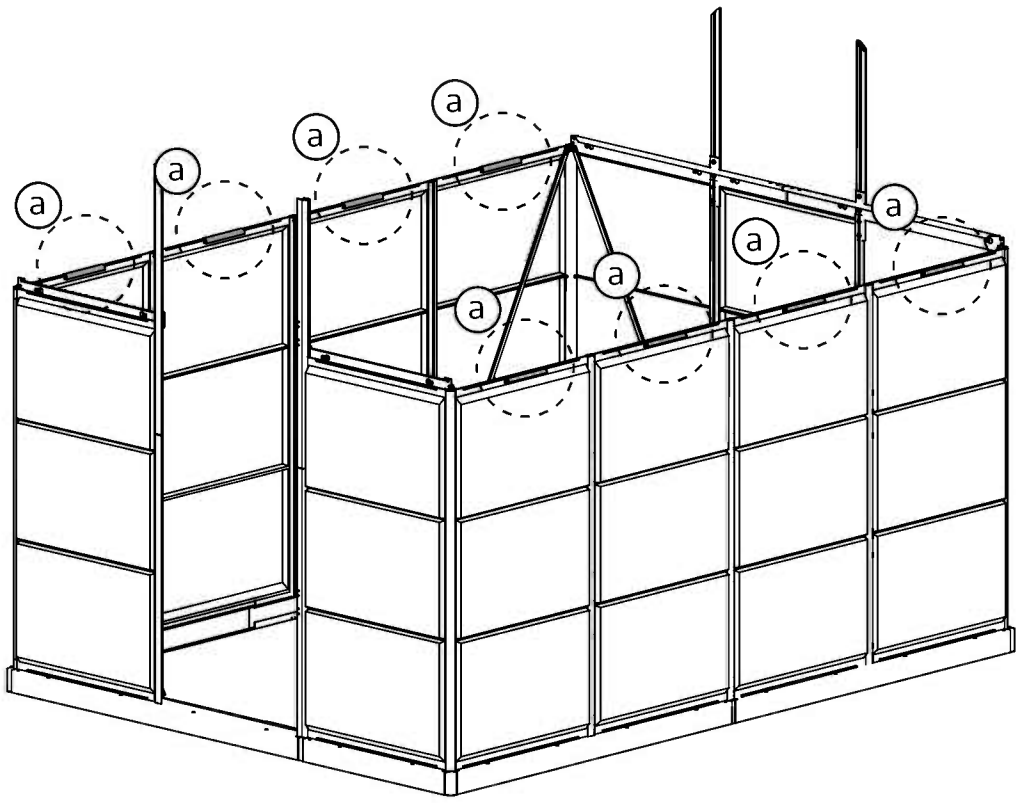
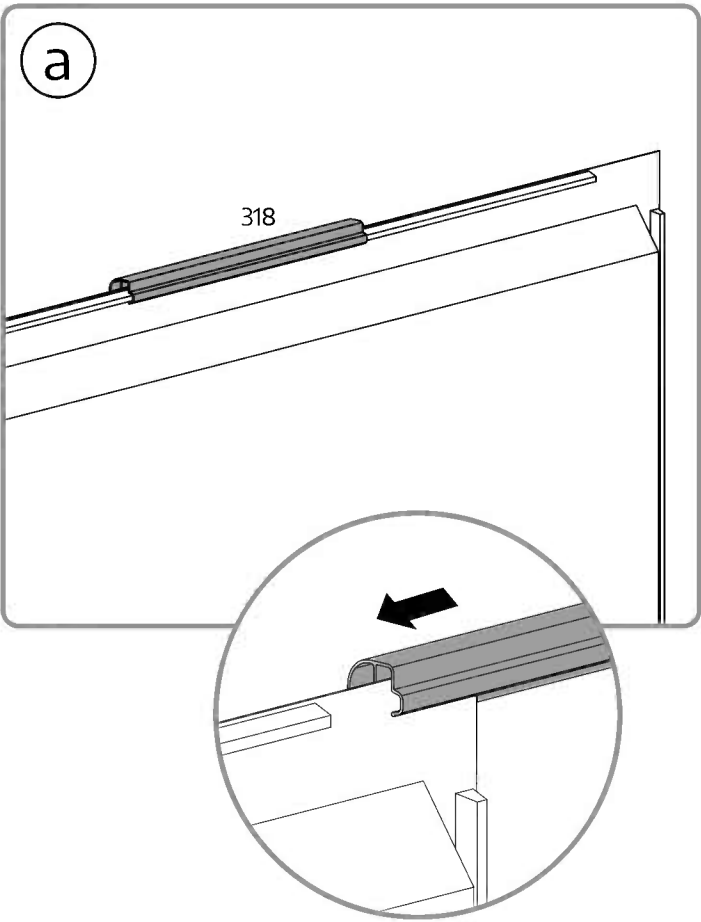
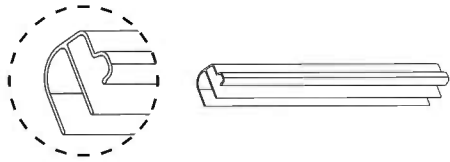


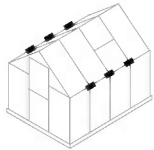
..... 13





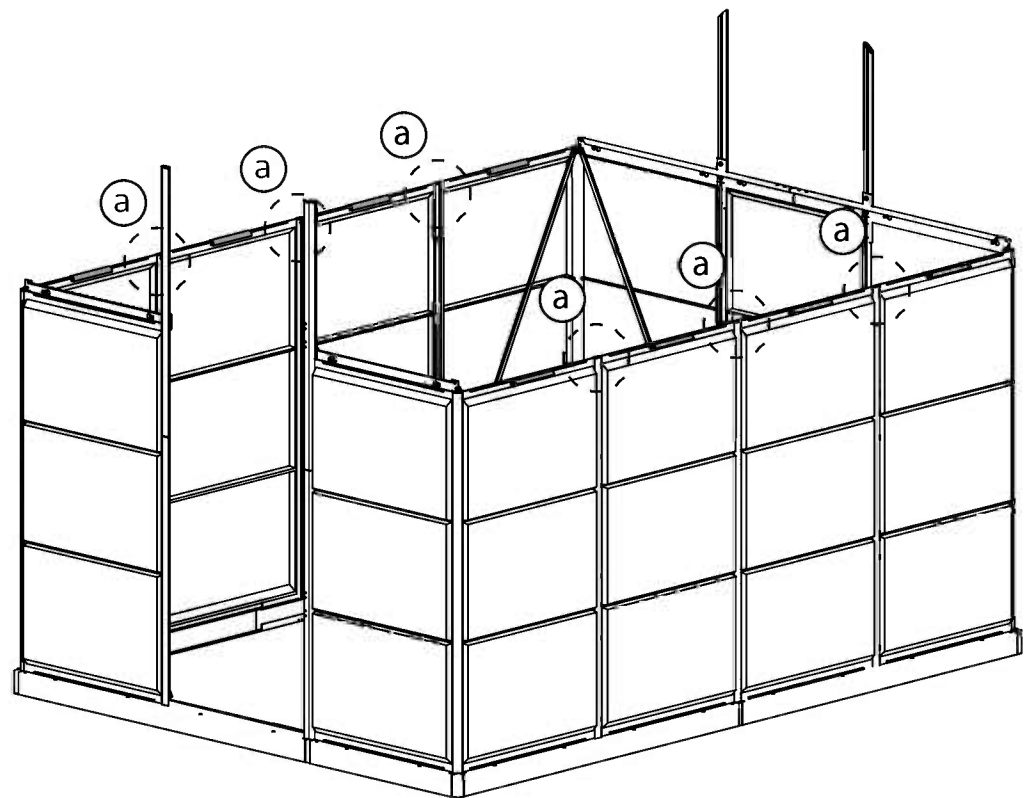
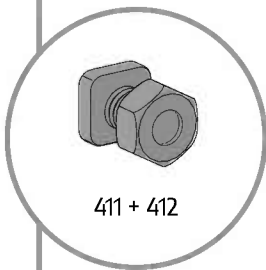
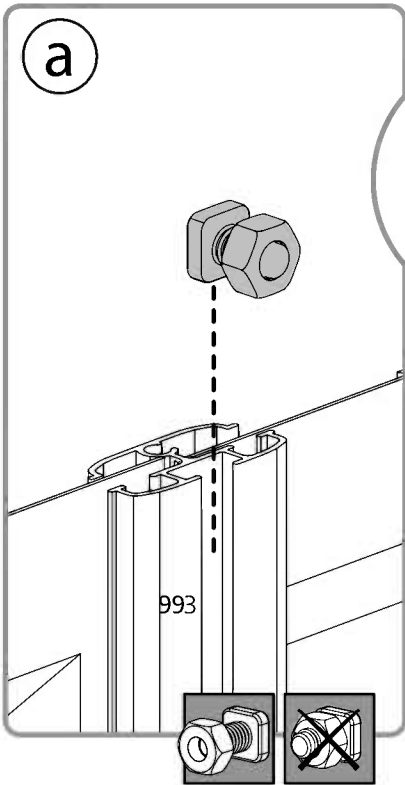
318 ..... 8

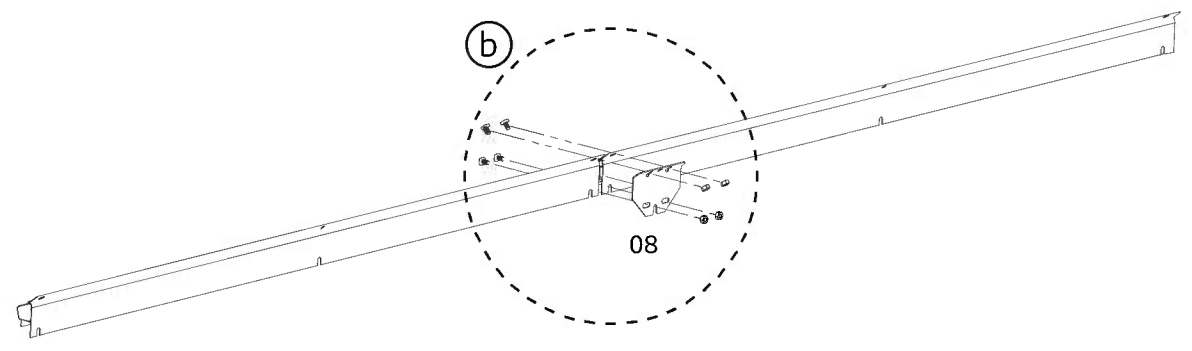
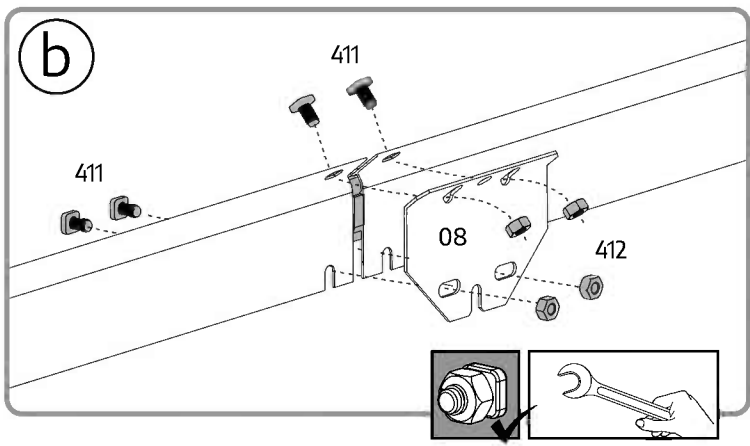
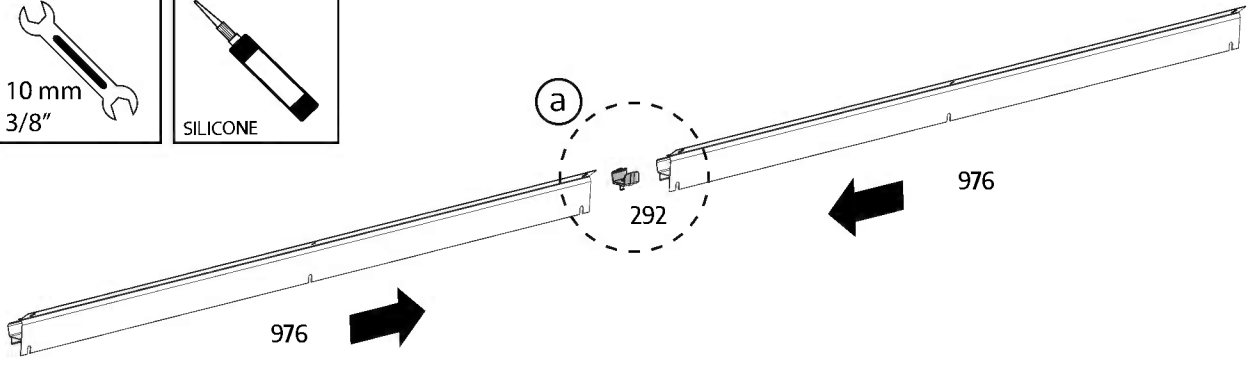
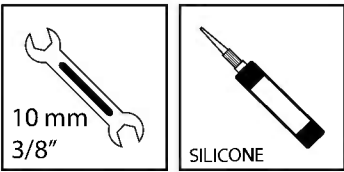
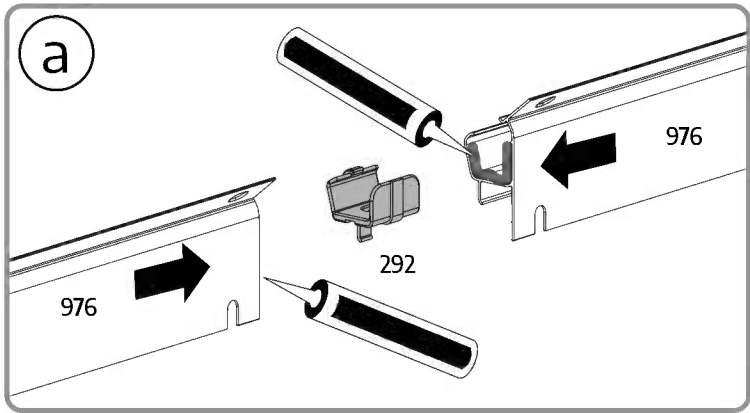
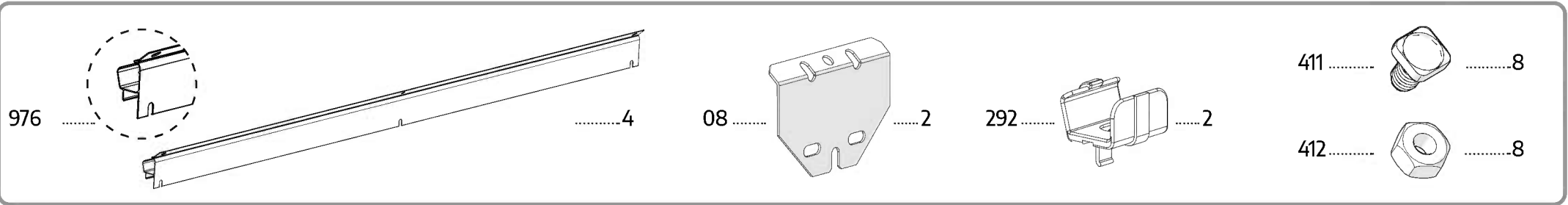




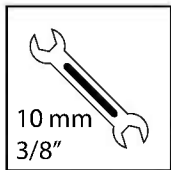
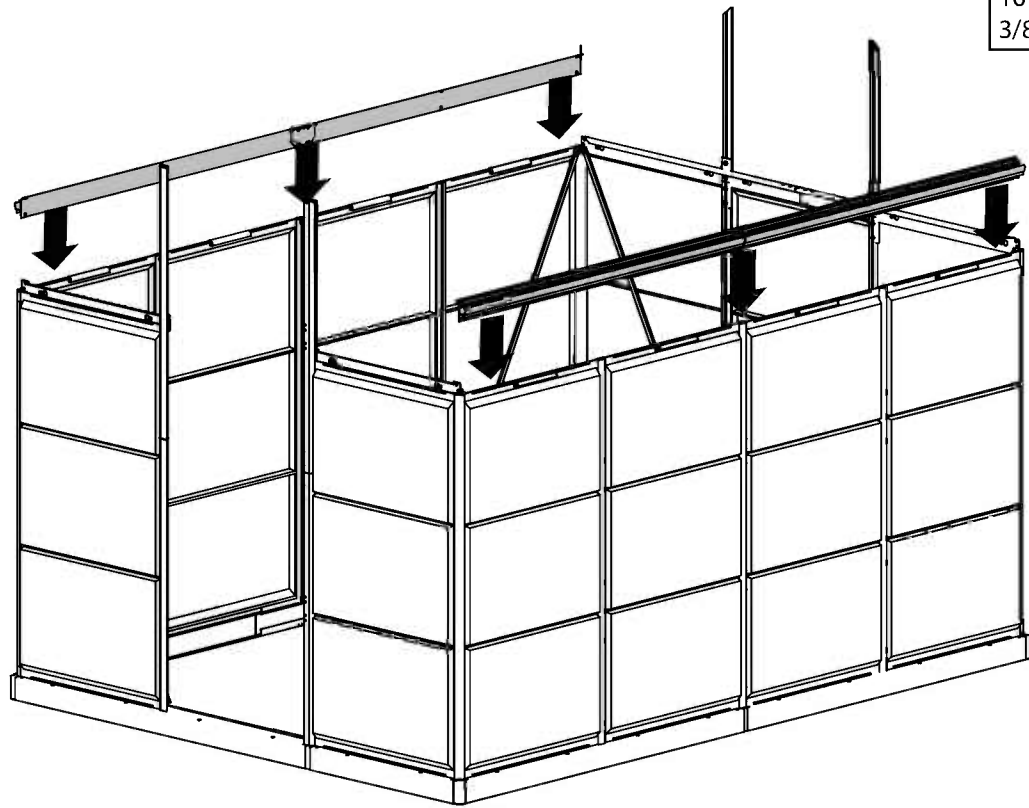
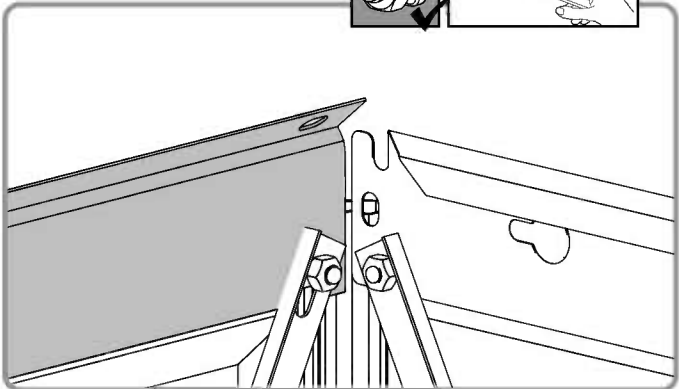
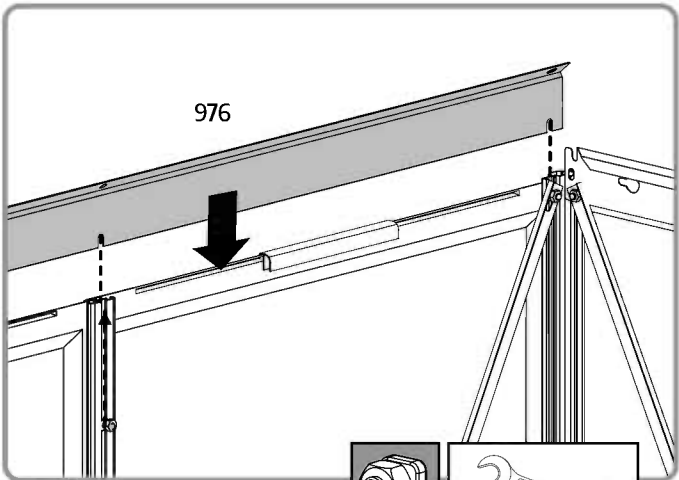
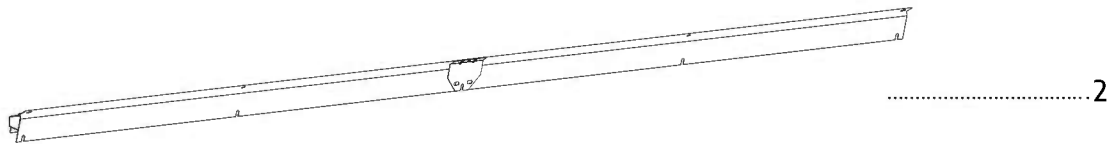
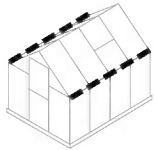
411 .....  .....6

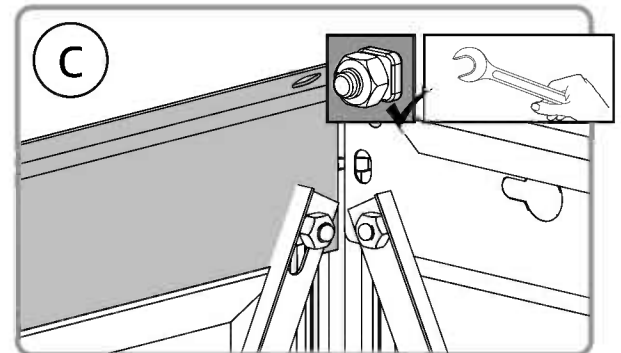
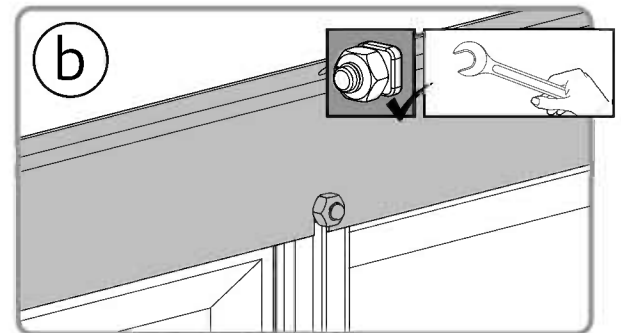
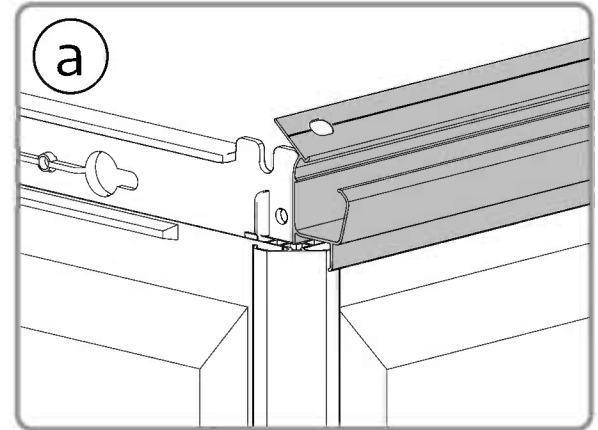
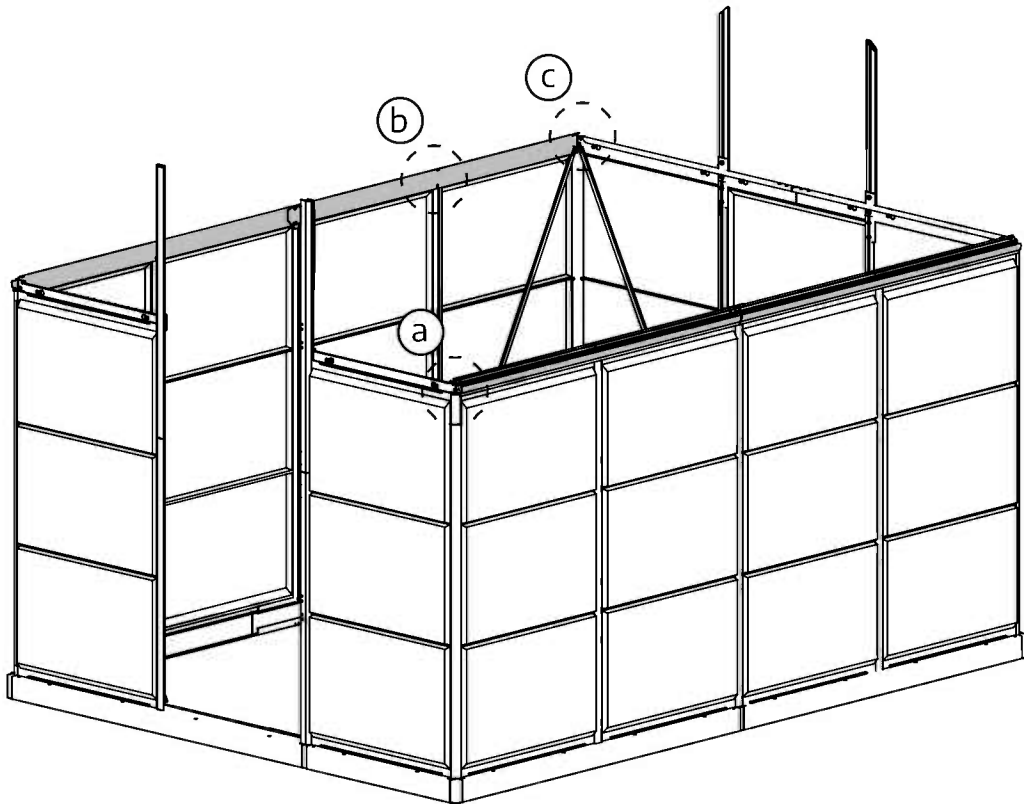
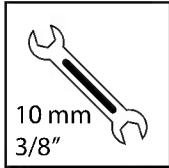
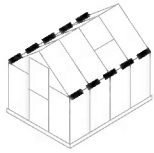
412 .....  .....6

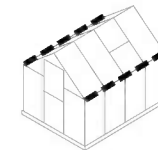




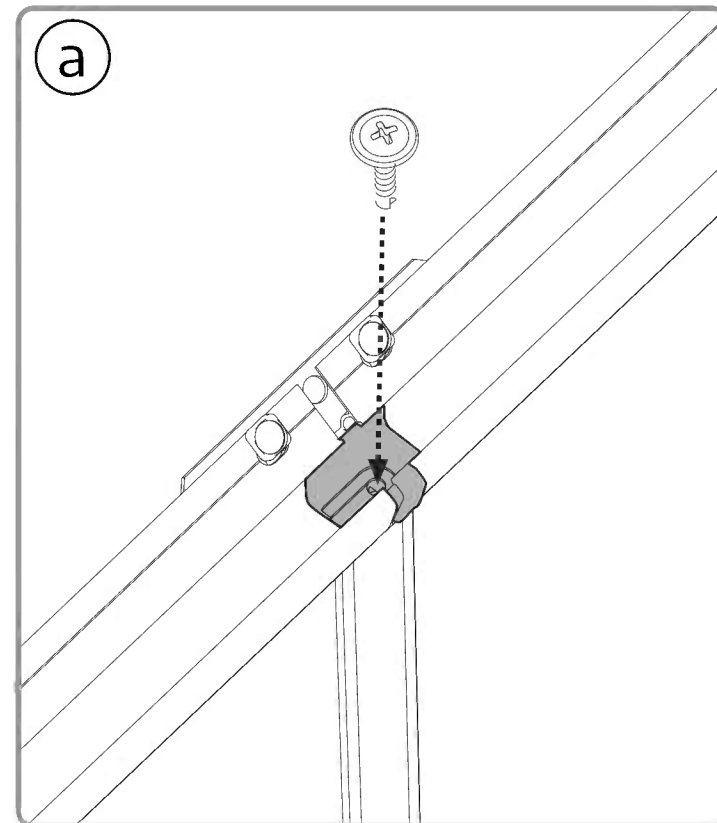
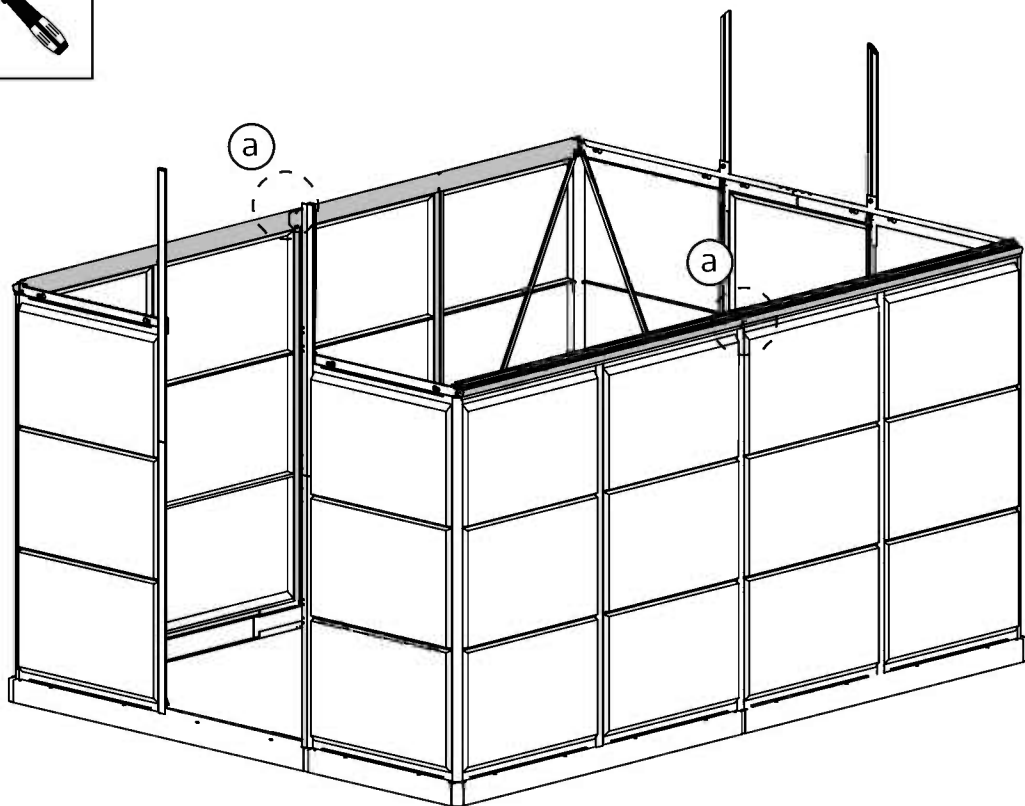
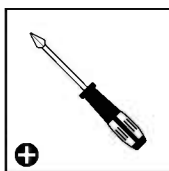
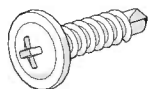
x2

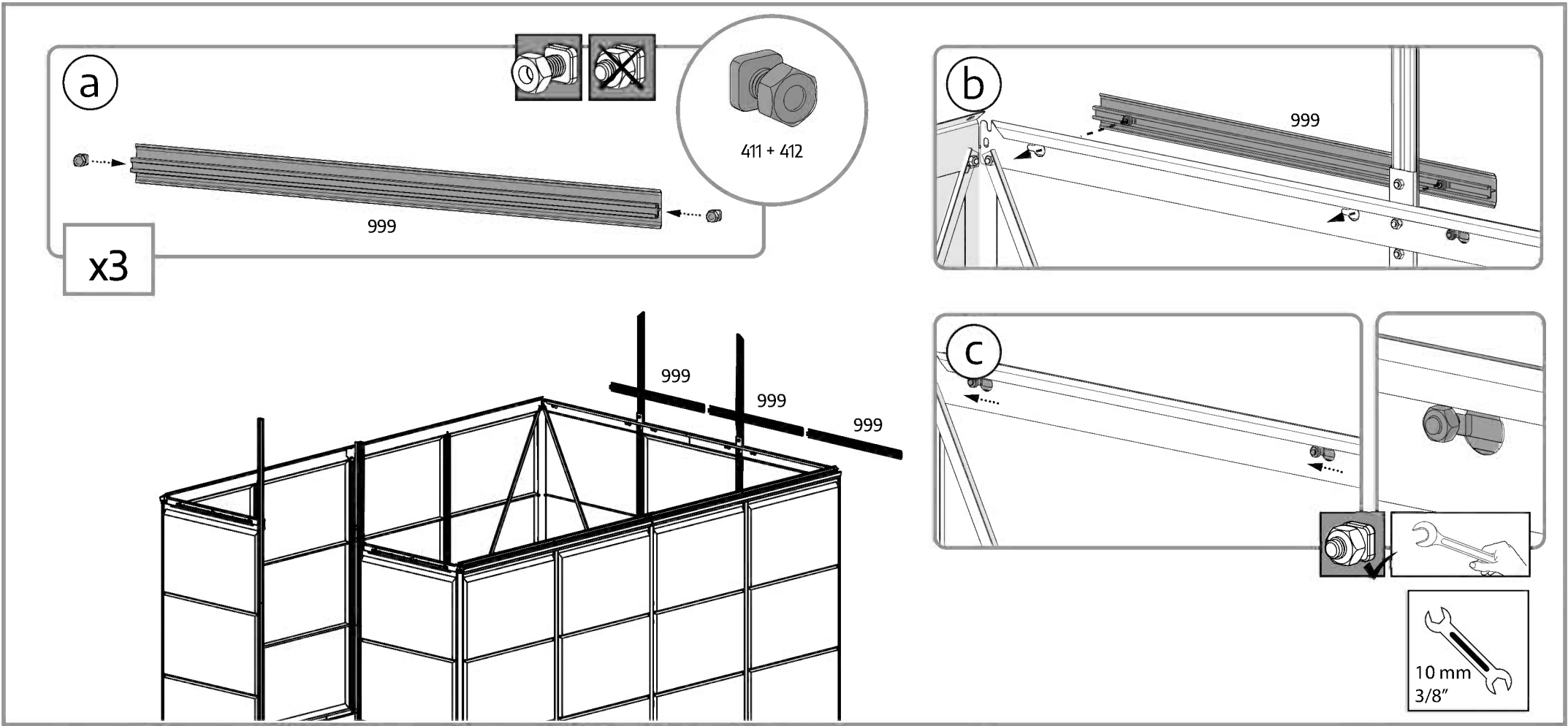


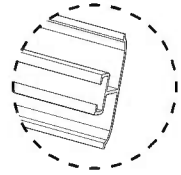
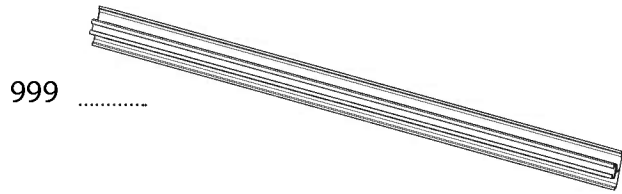




4008 ..... 2



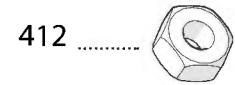




..... 2

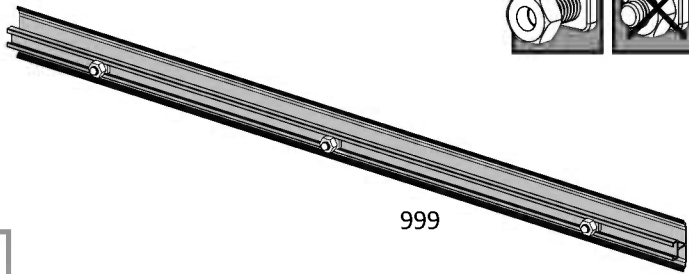


..... 6

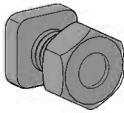


..... 6

a



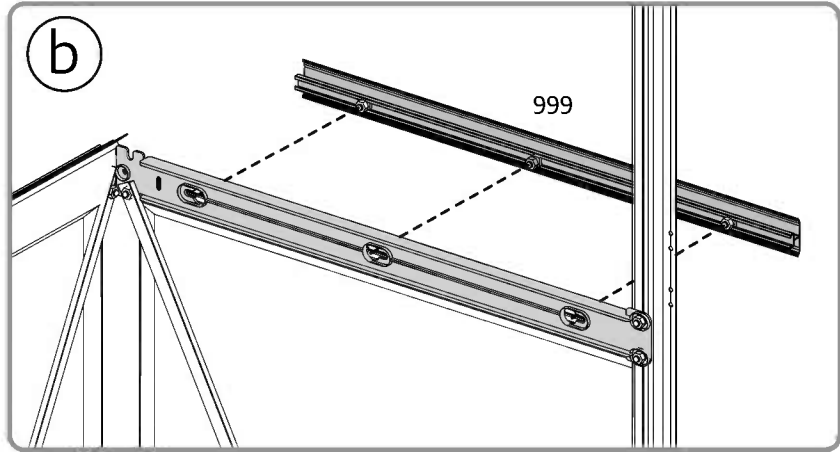
999



411 + 412

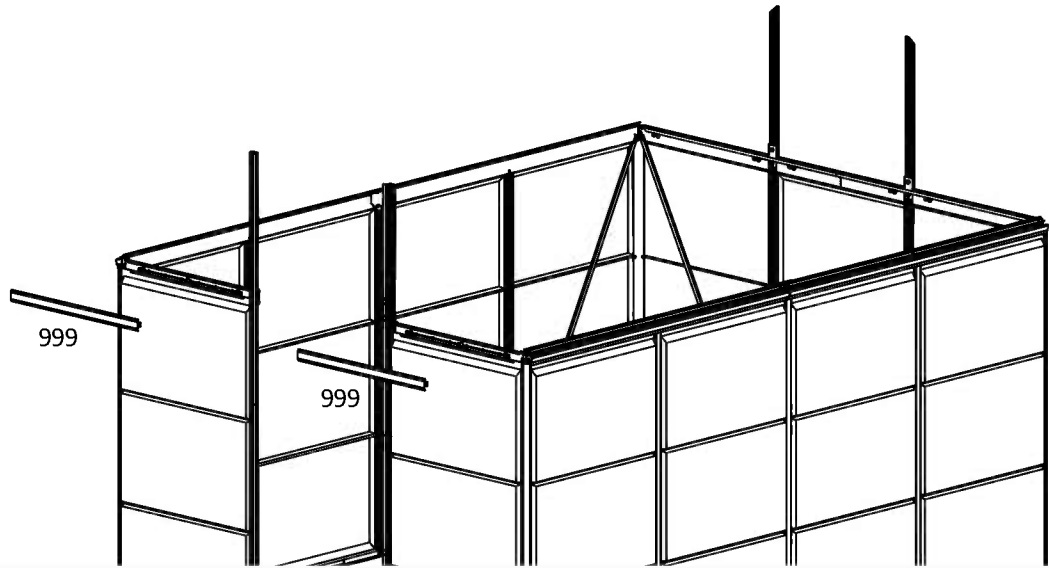
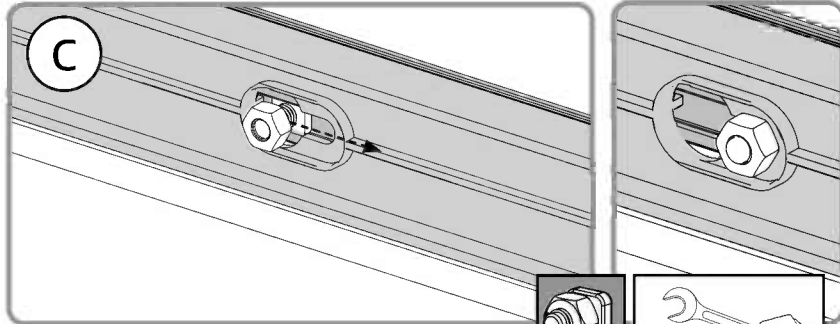
x2

b



999

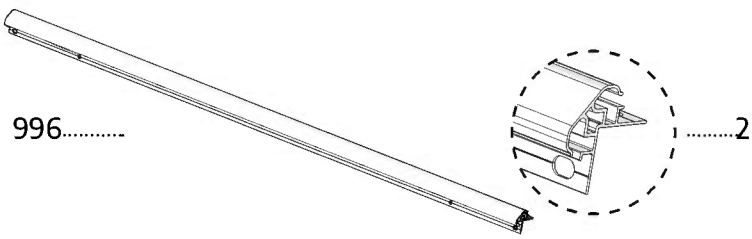
c





999

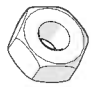
999

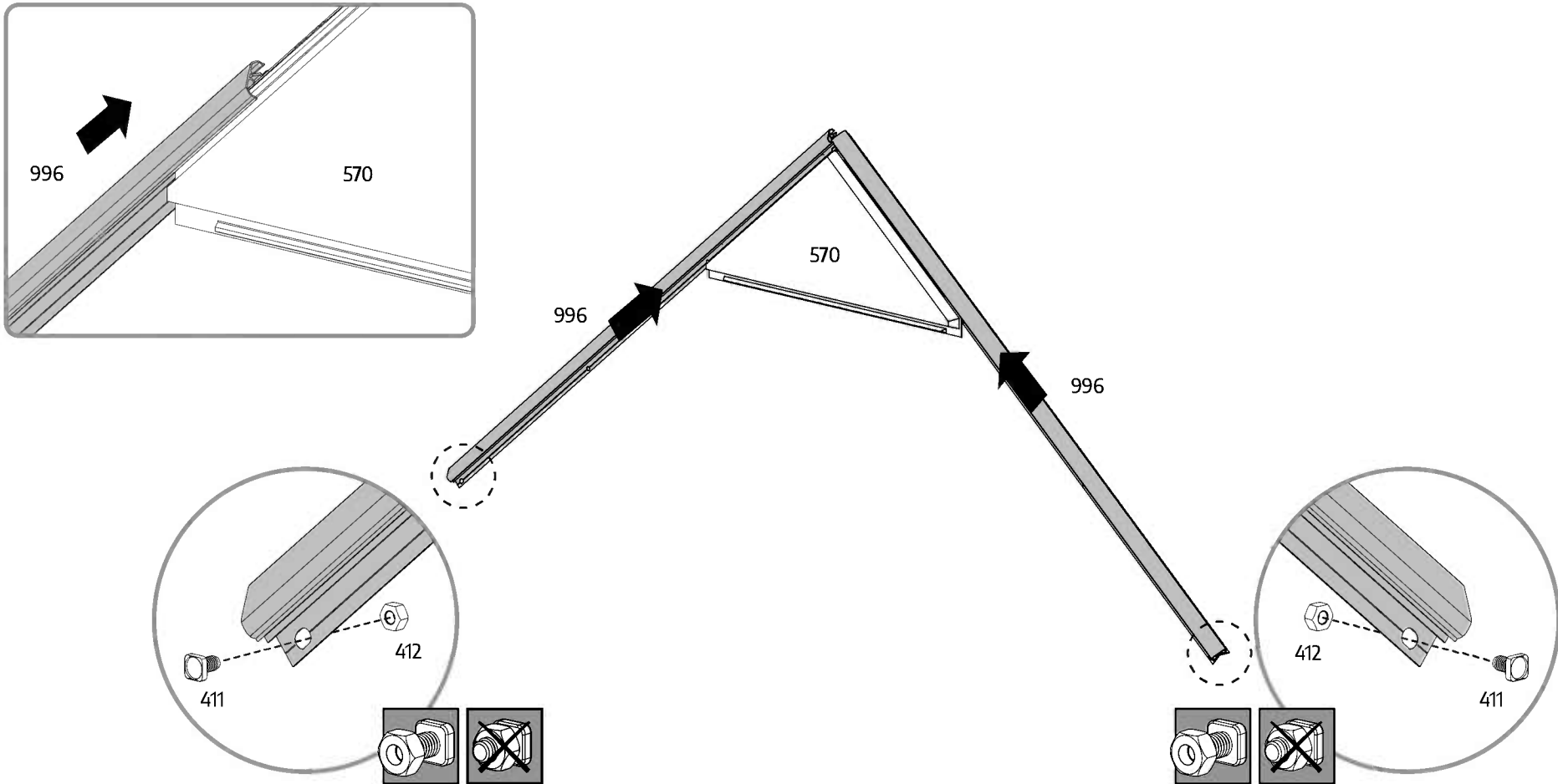


996.....  .....2

570 .....  ..... 1

411 .....  .....2

412 .....  .....2



996

570

996

570

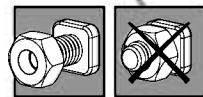
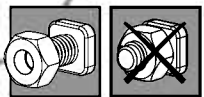
996

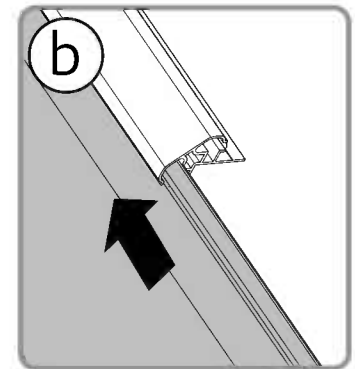
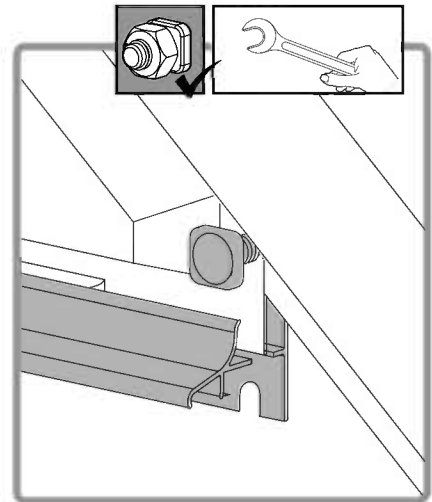
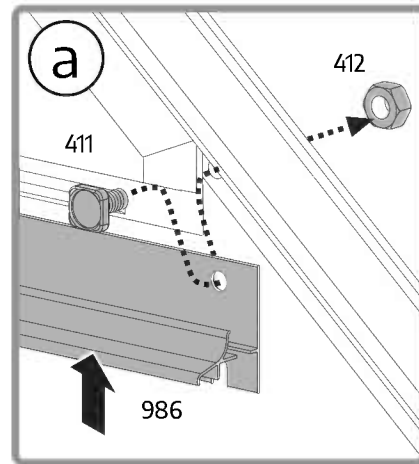
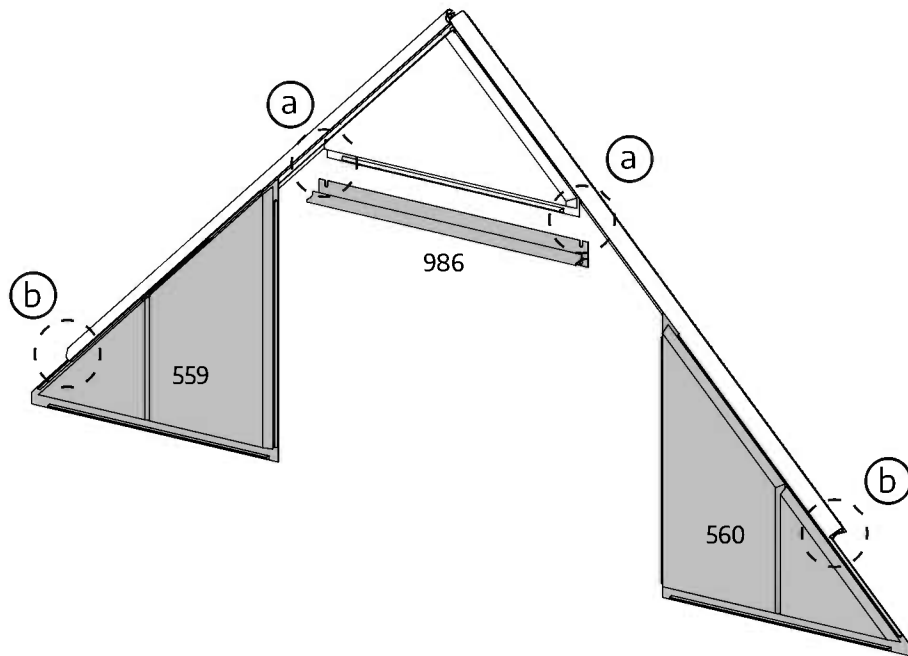
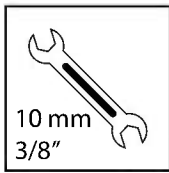
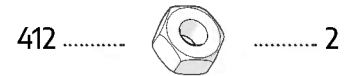
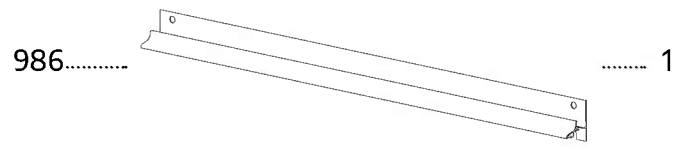
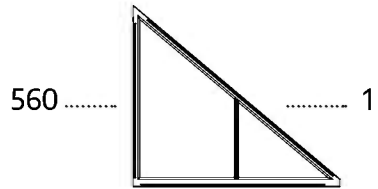
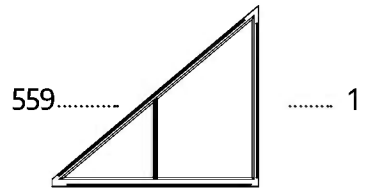
411

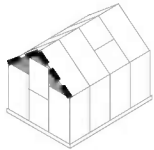
412

411


412

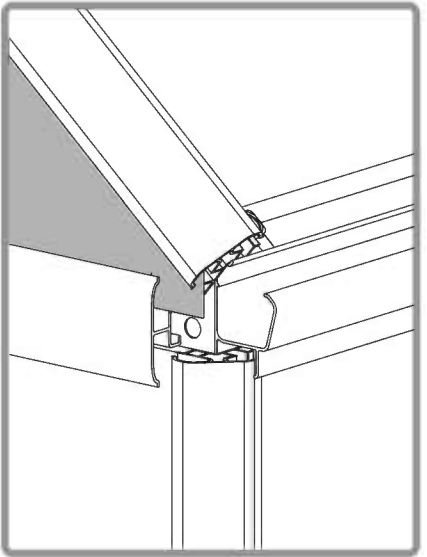
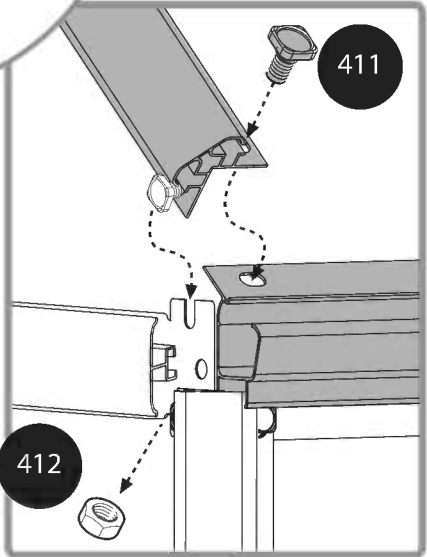
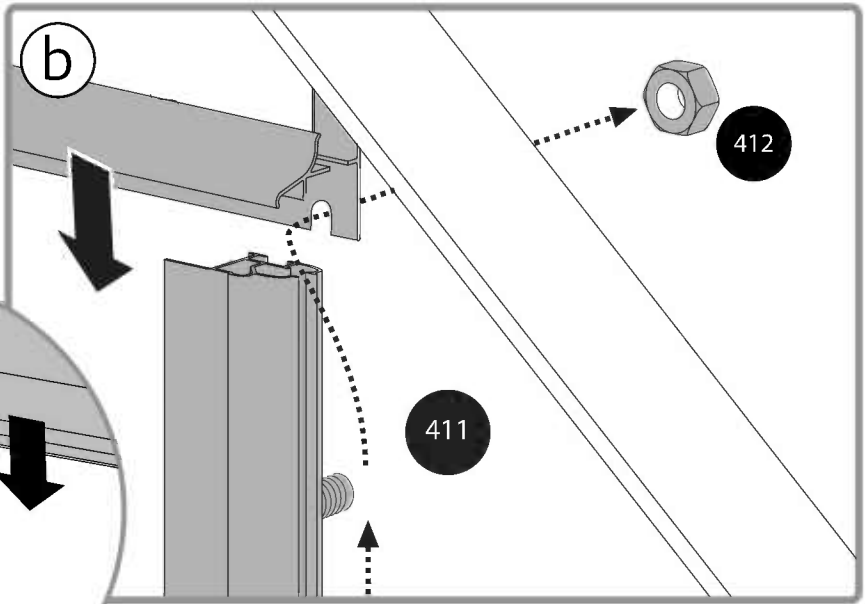
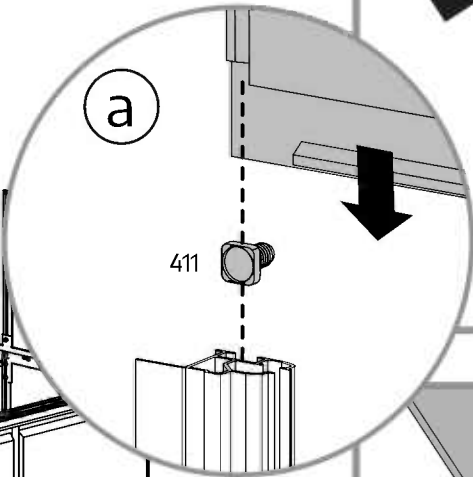
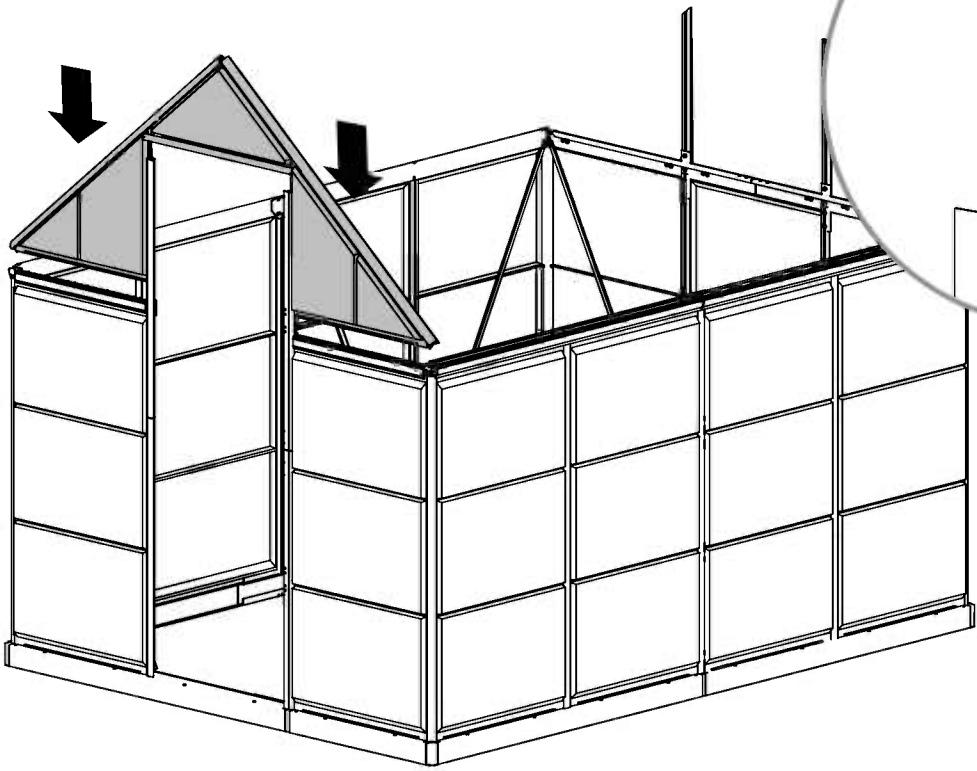


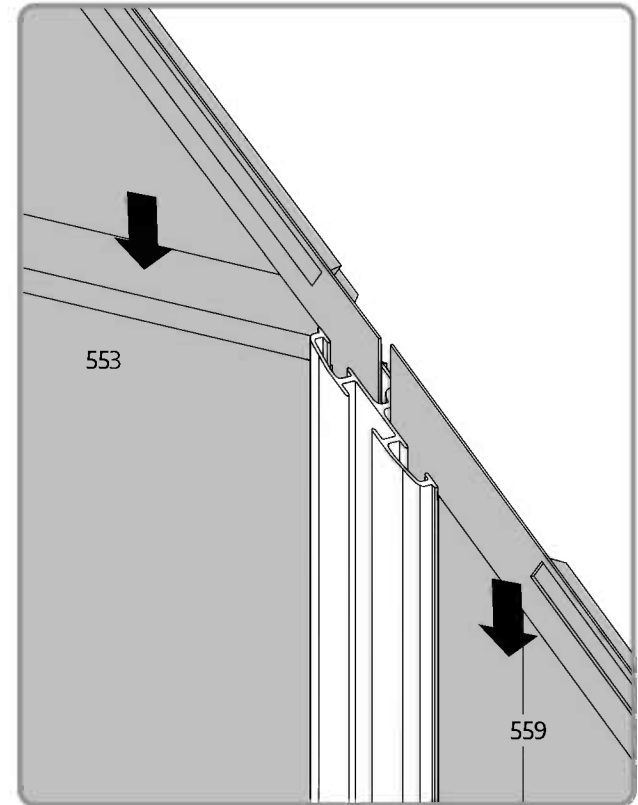
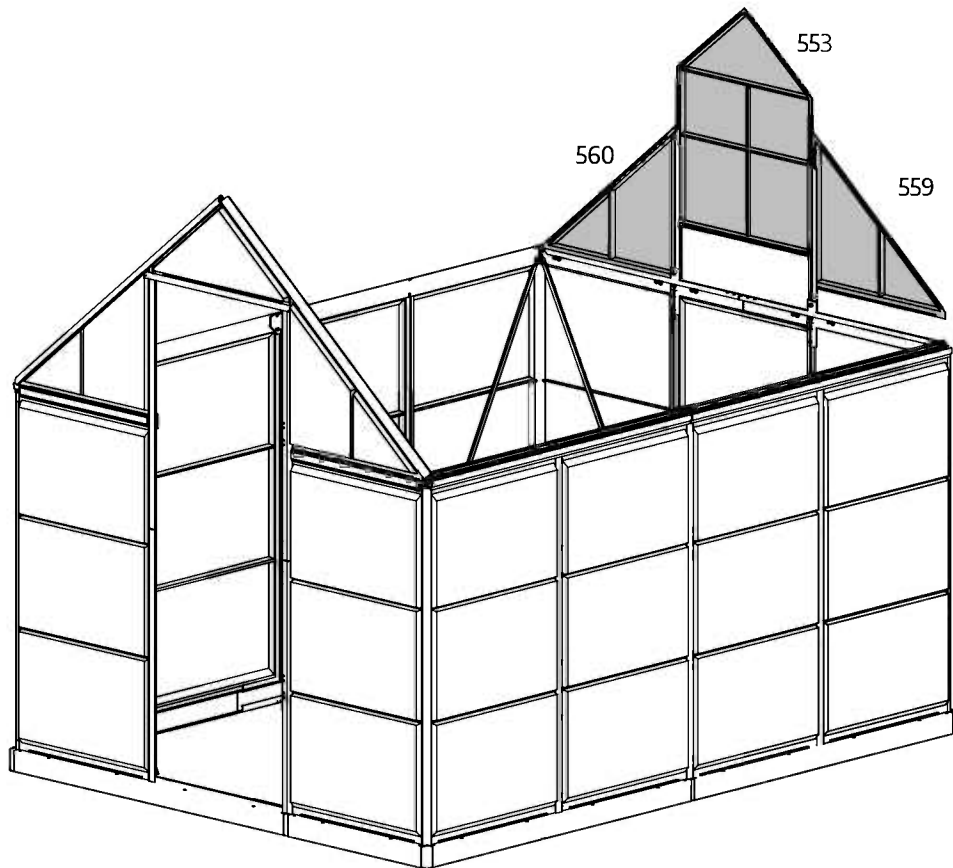
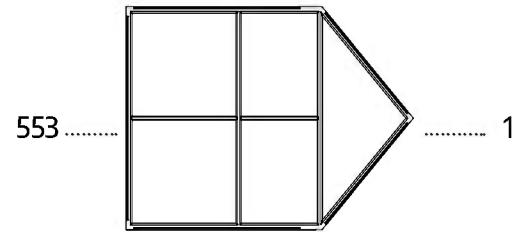
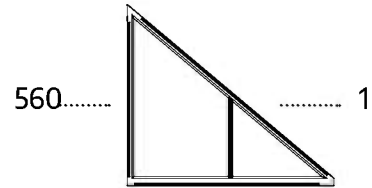
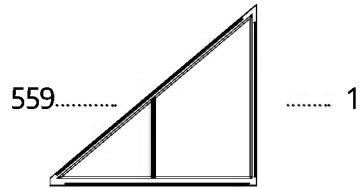
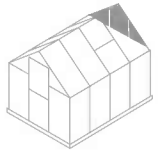


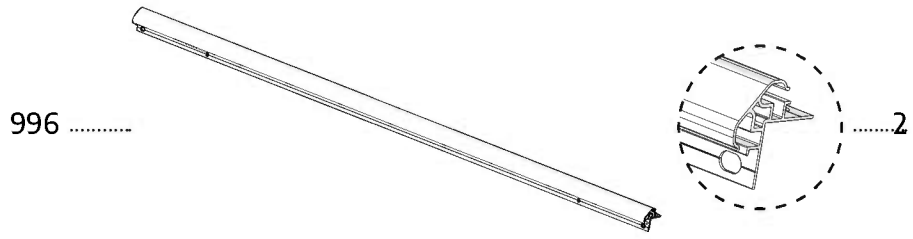



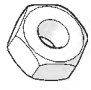
411 .....  ..... 4

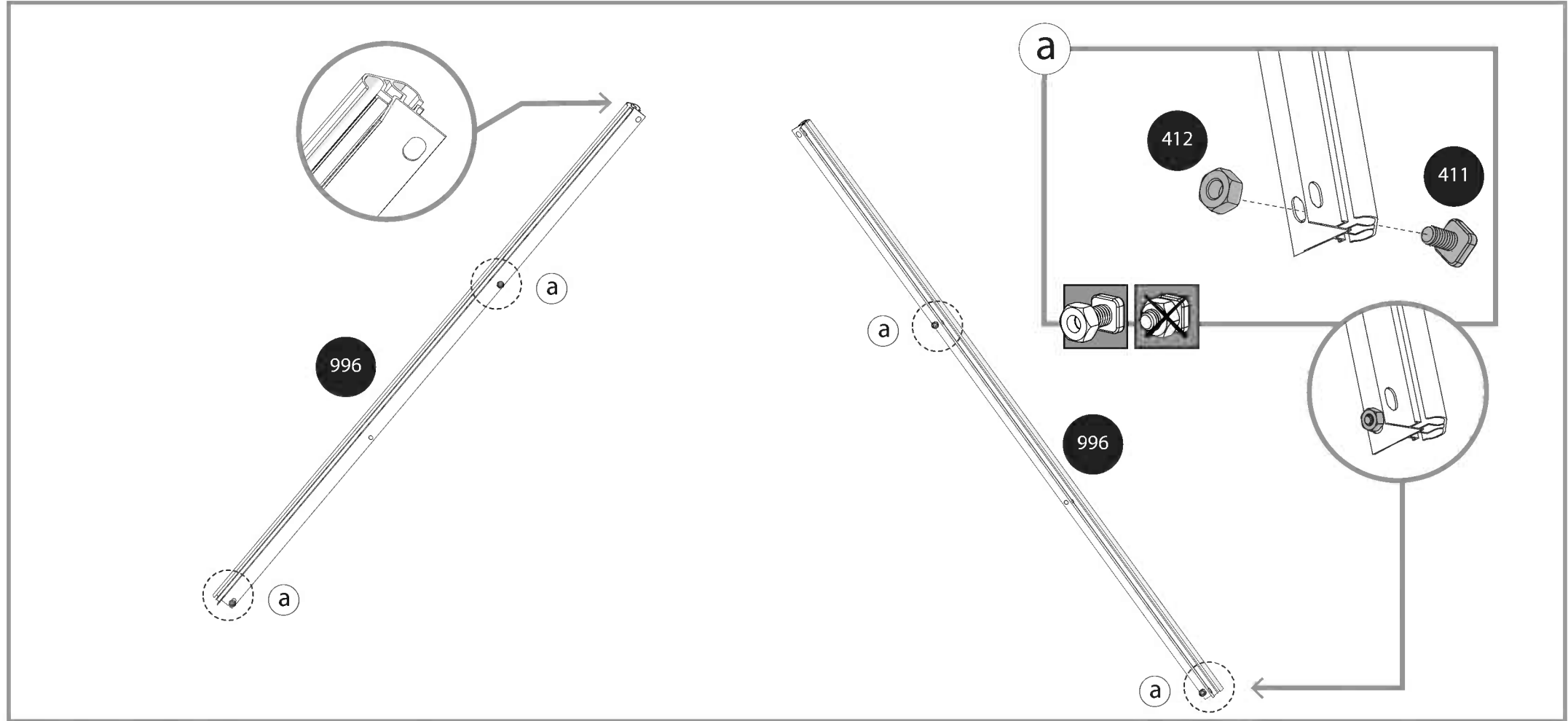
412 .....  ..... 4

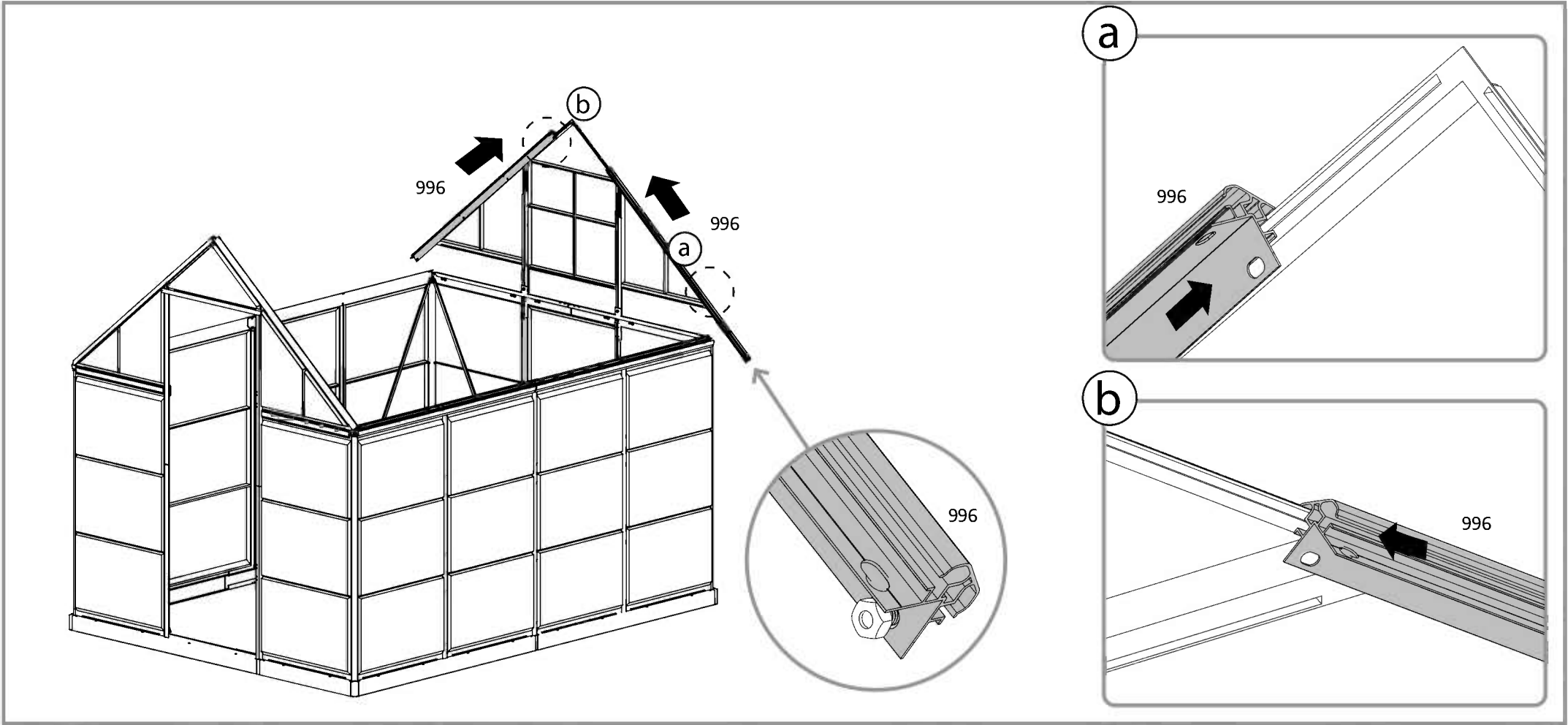
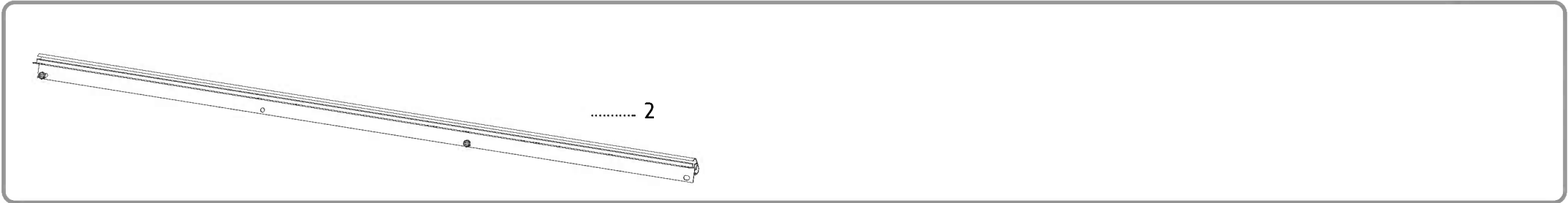
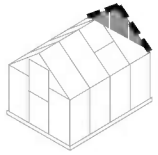


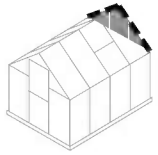



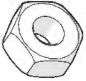


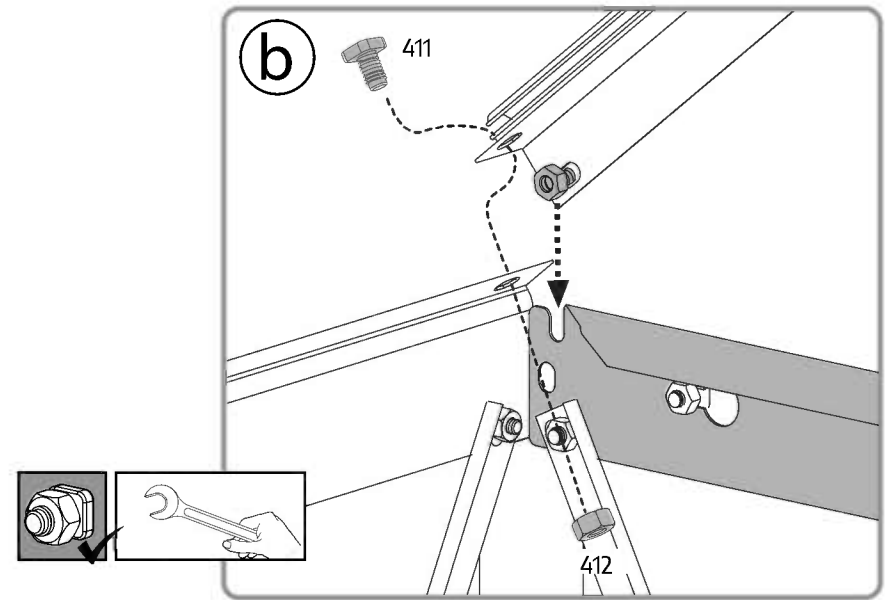
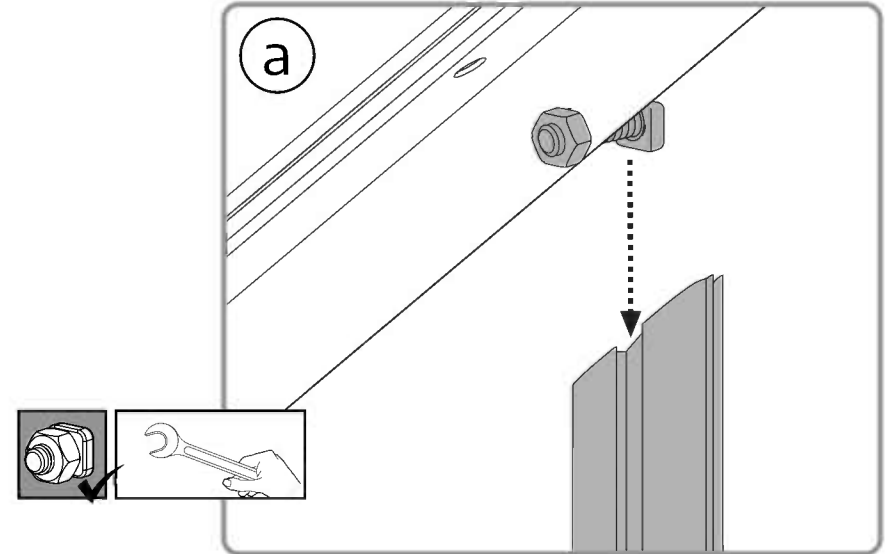
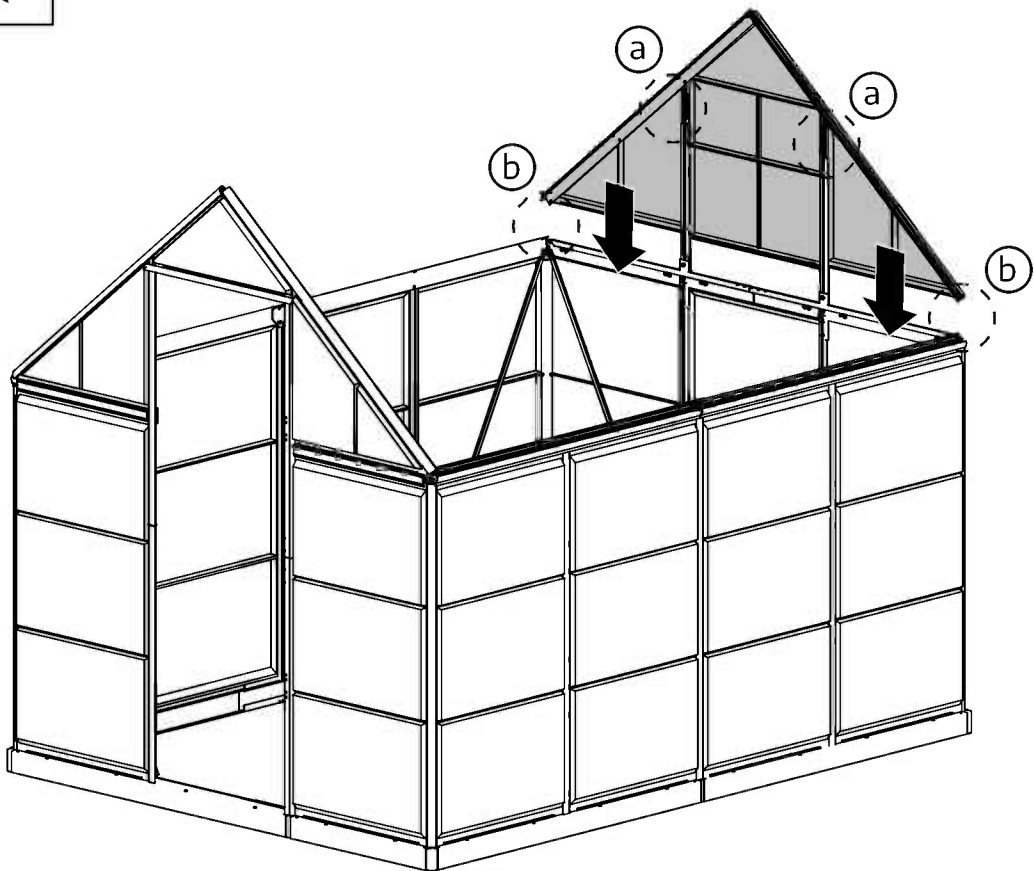
- 411 .....  .....4
- 412 .....  .....4

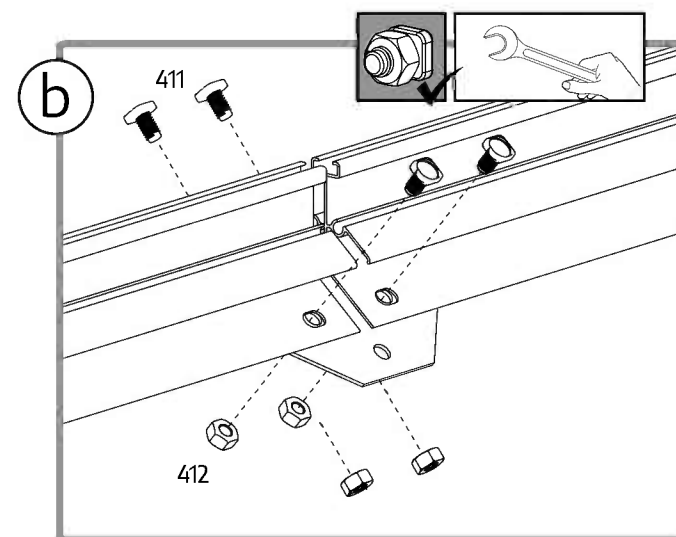
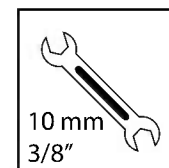
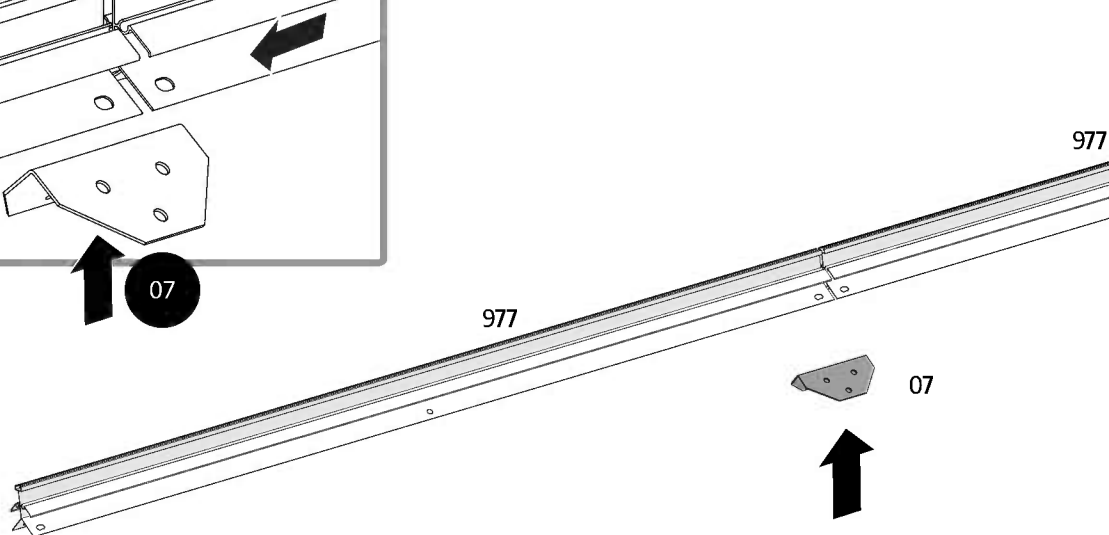
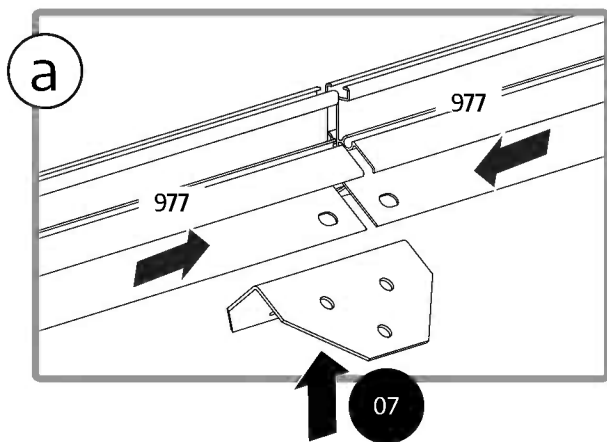
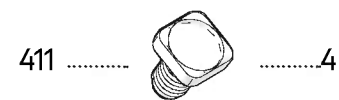
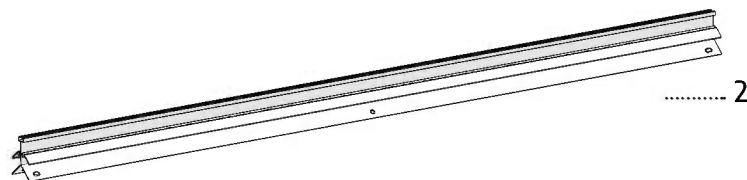
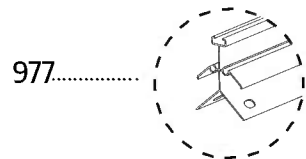
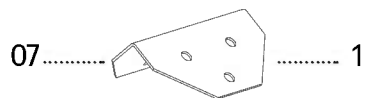


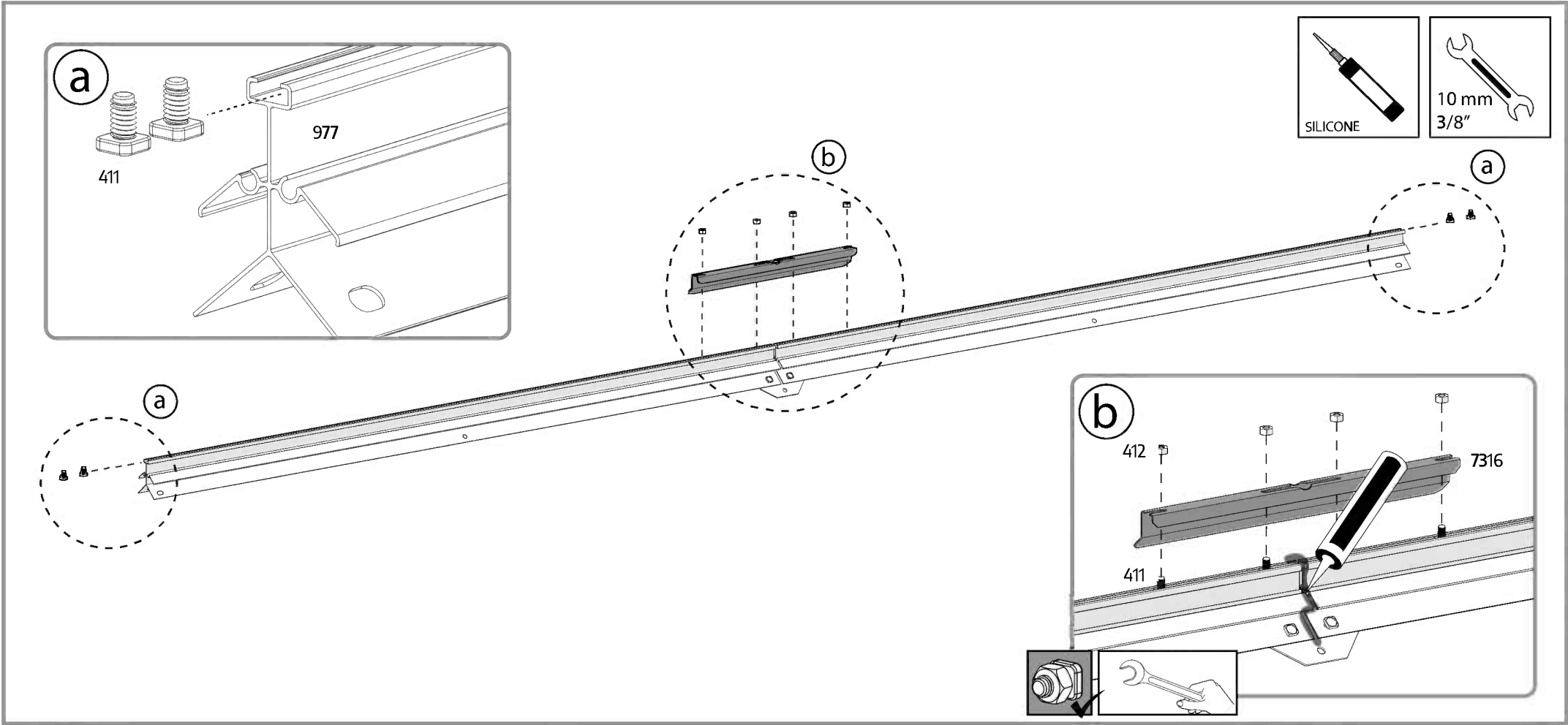
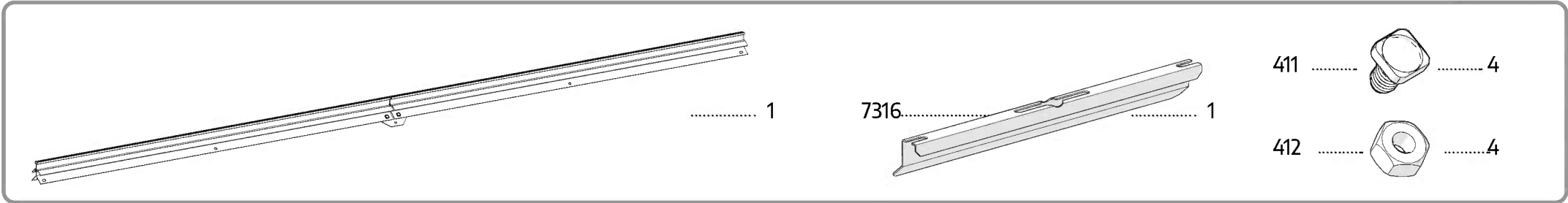


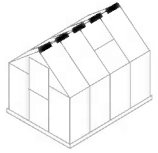


411 .....  .....2      412 .....  .....2





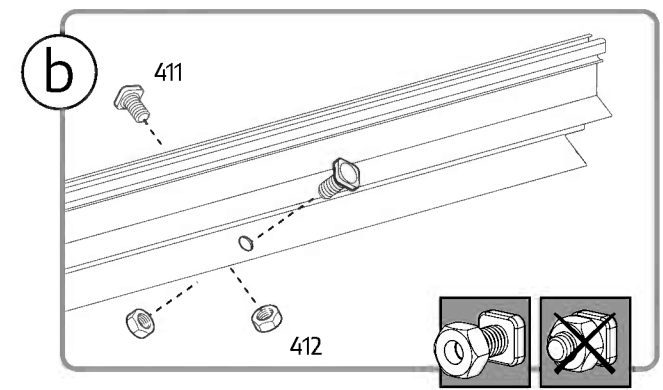
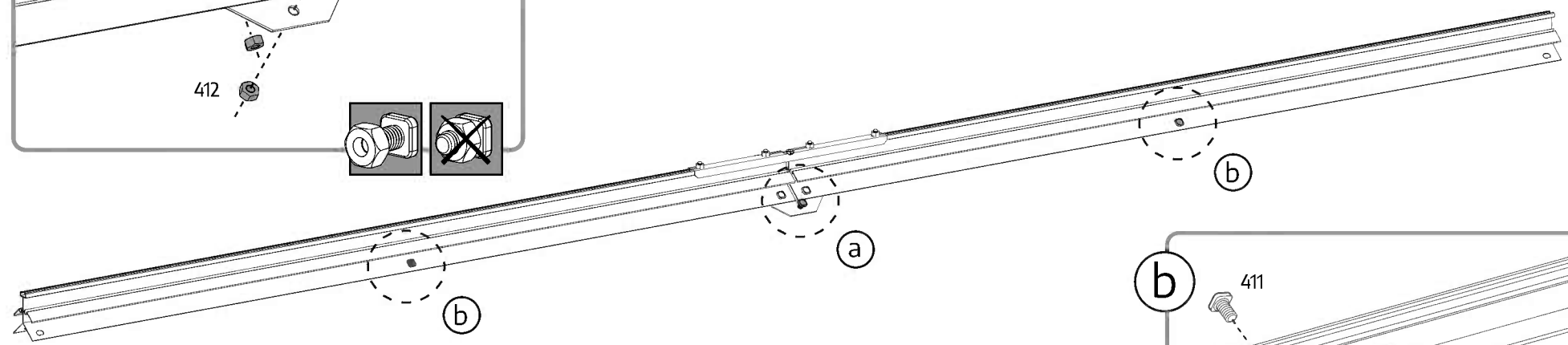
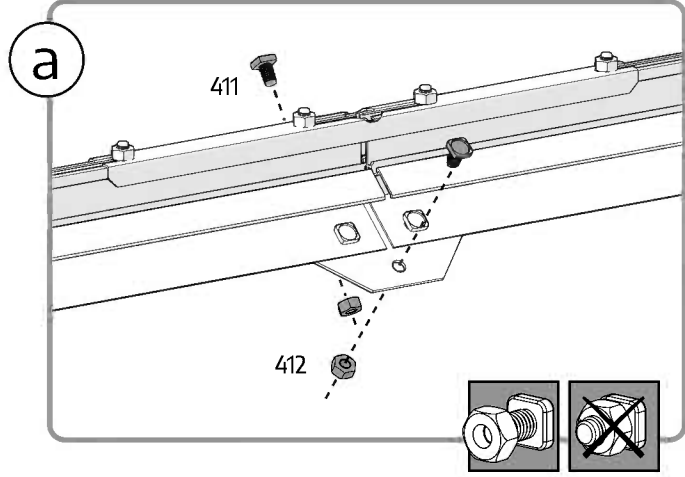




411 ..... 6

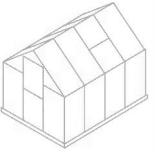


412 ..... 6

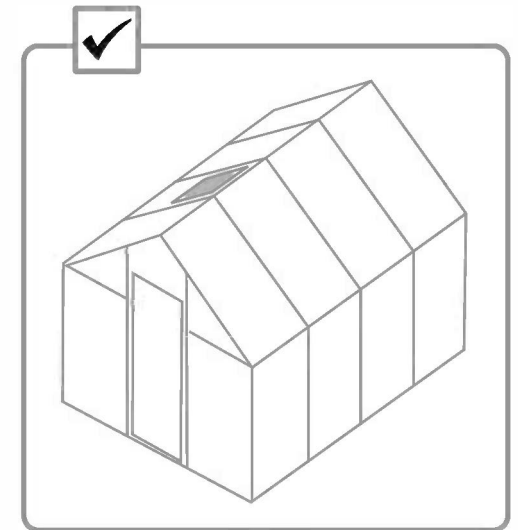
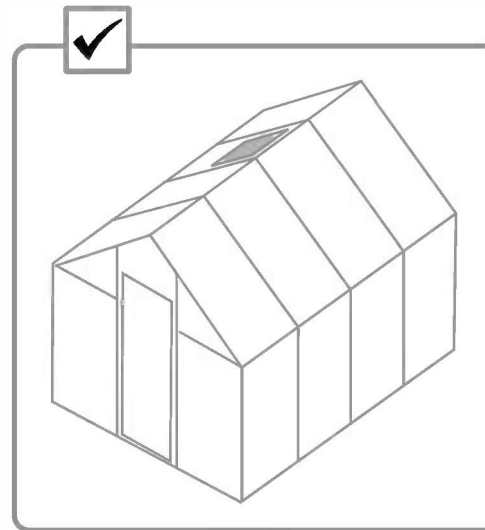
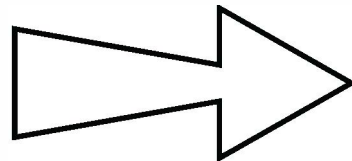
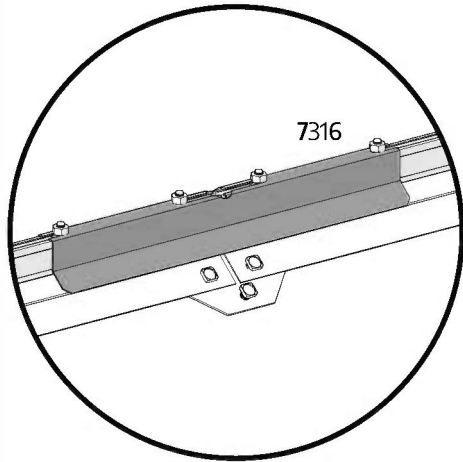
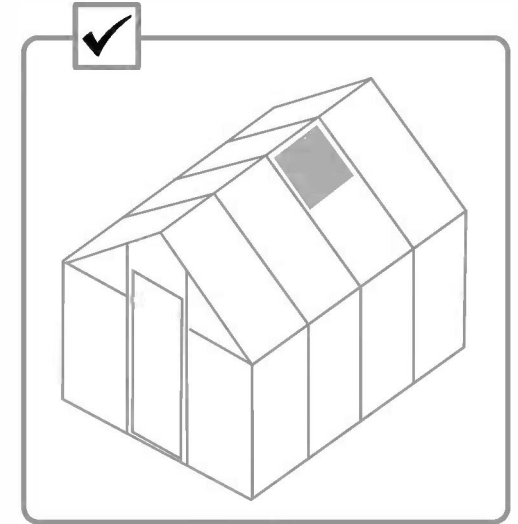
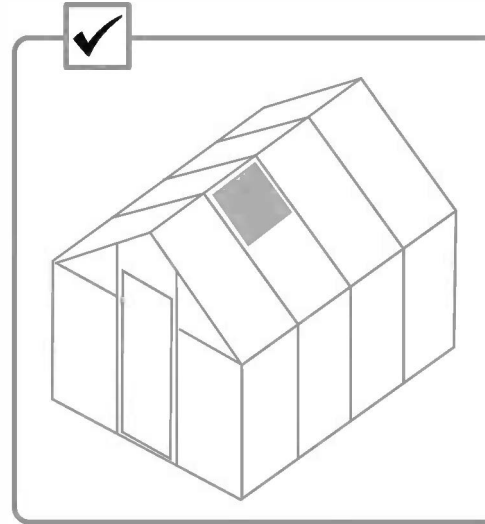
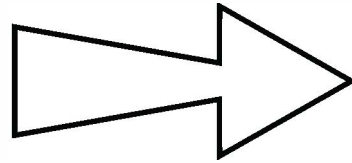
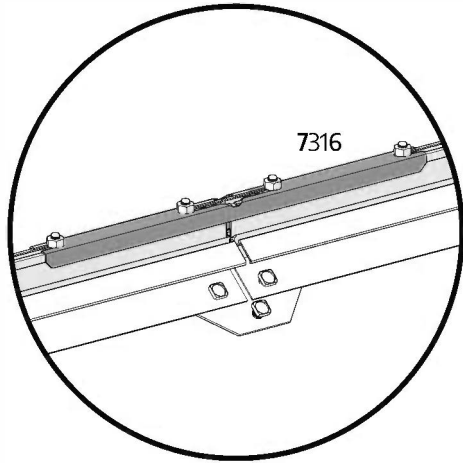




Decide on the window's location before assembly.  
Window can be installed in one of the indicated options.

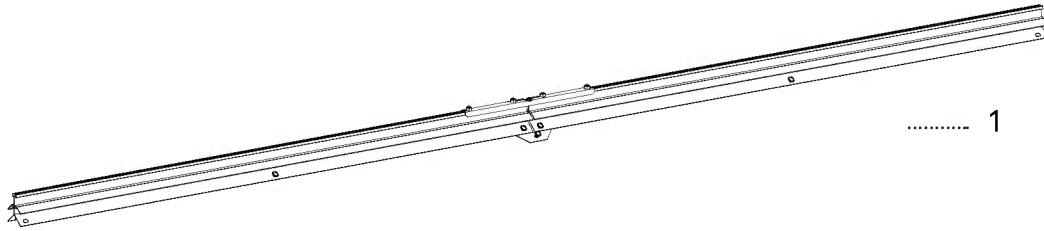
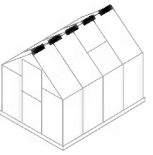


**EN** Windows Location





Once the window location is chosen, please turn part #7316 into the correct position accordingly.



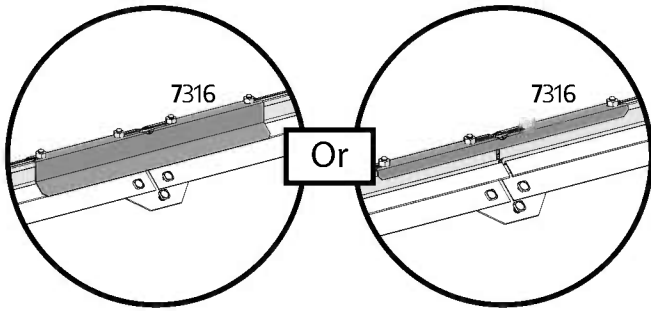
..... 1



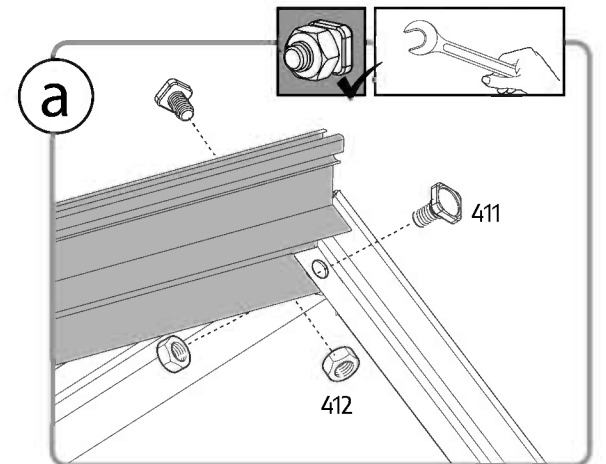
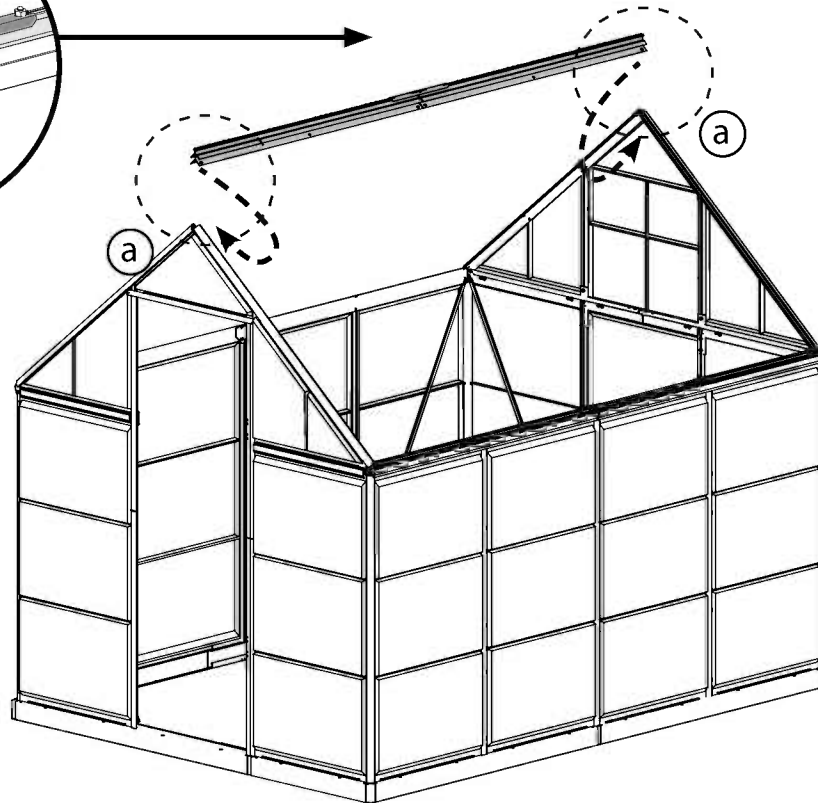
411..... 4

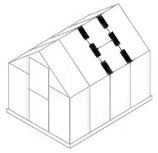


412..... 4



Or





993.....

.....2

8710..... 2

411 ..... 4

412 .....4

**a**

8710

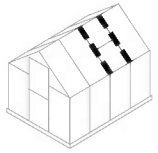
411

412

**b**

993

993



..... 2



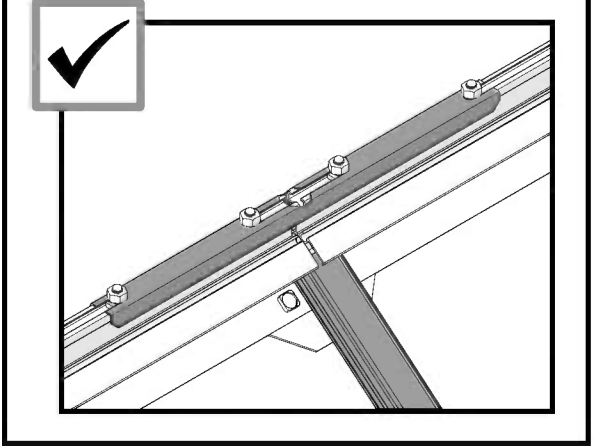
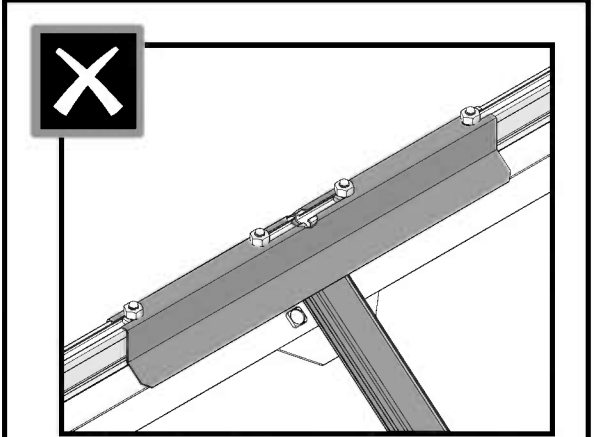
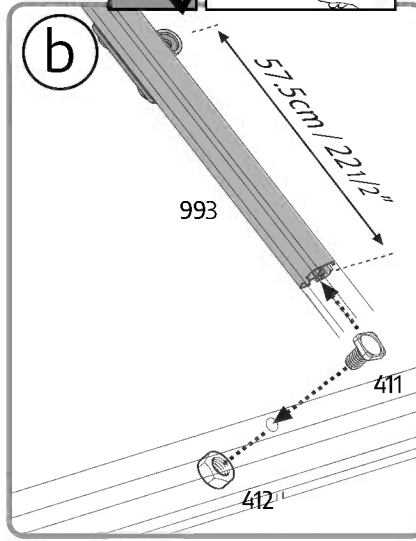
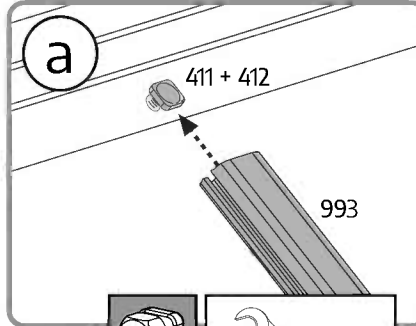
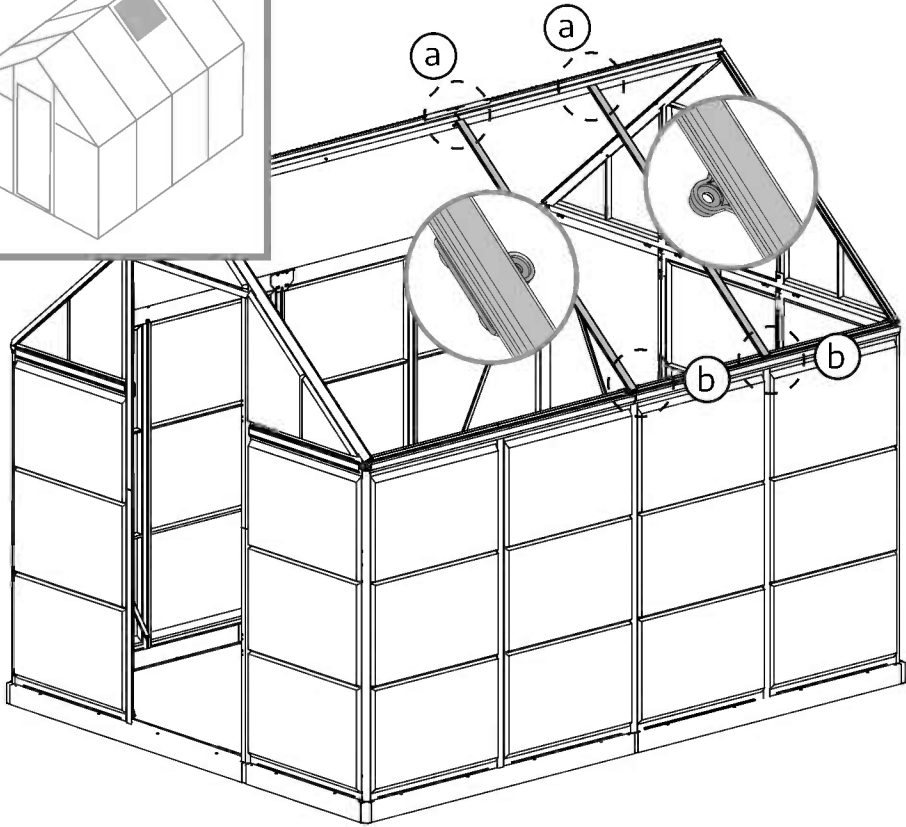
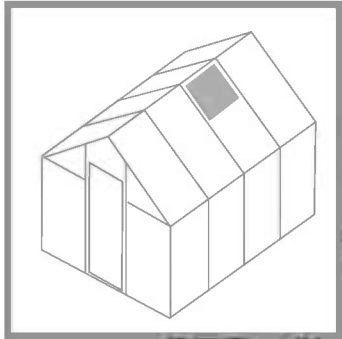
411 .....

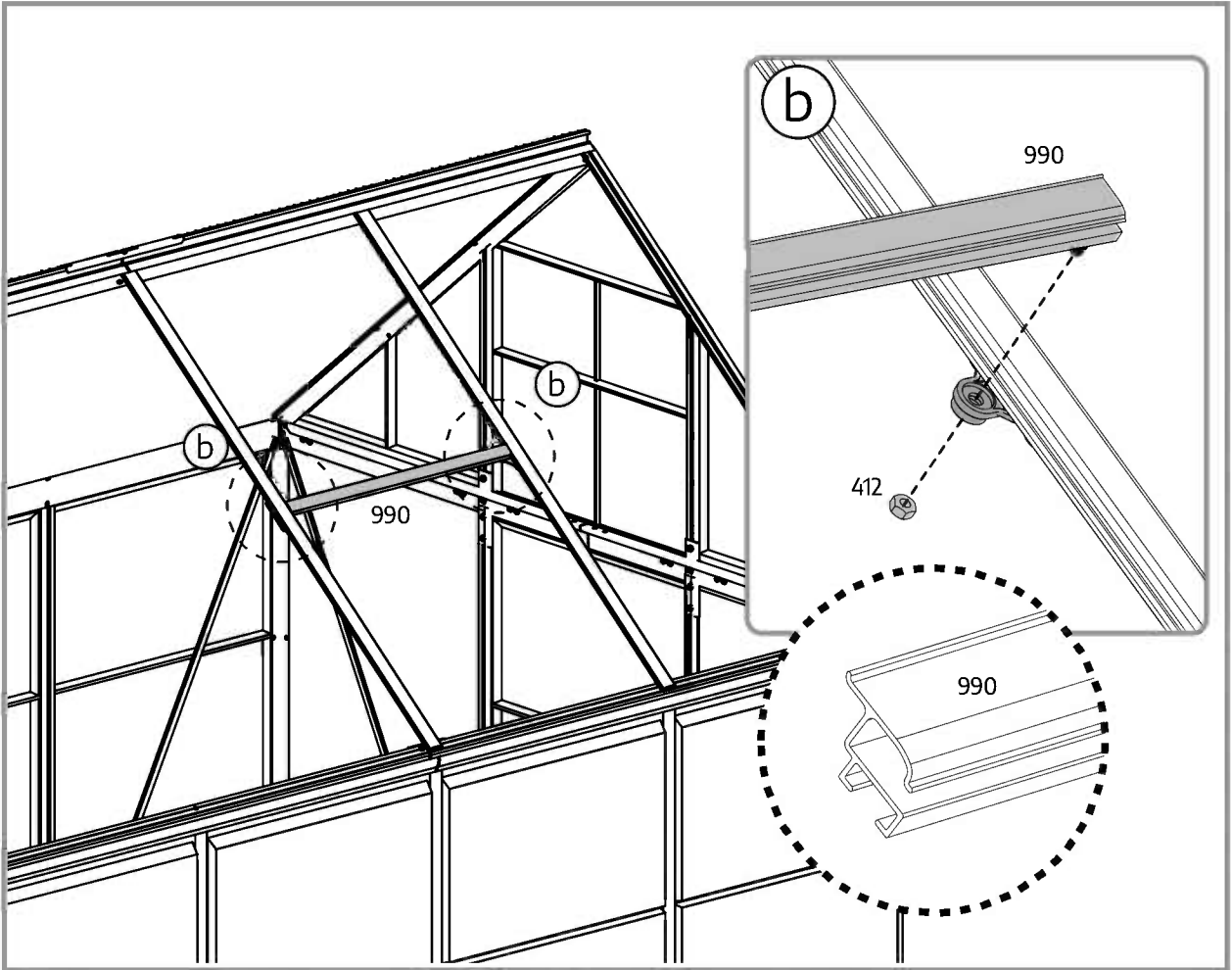
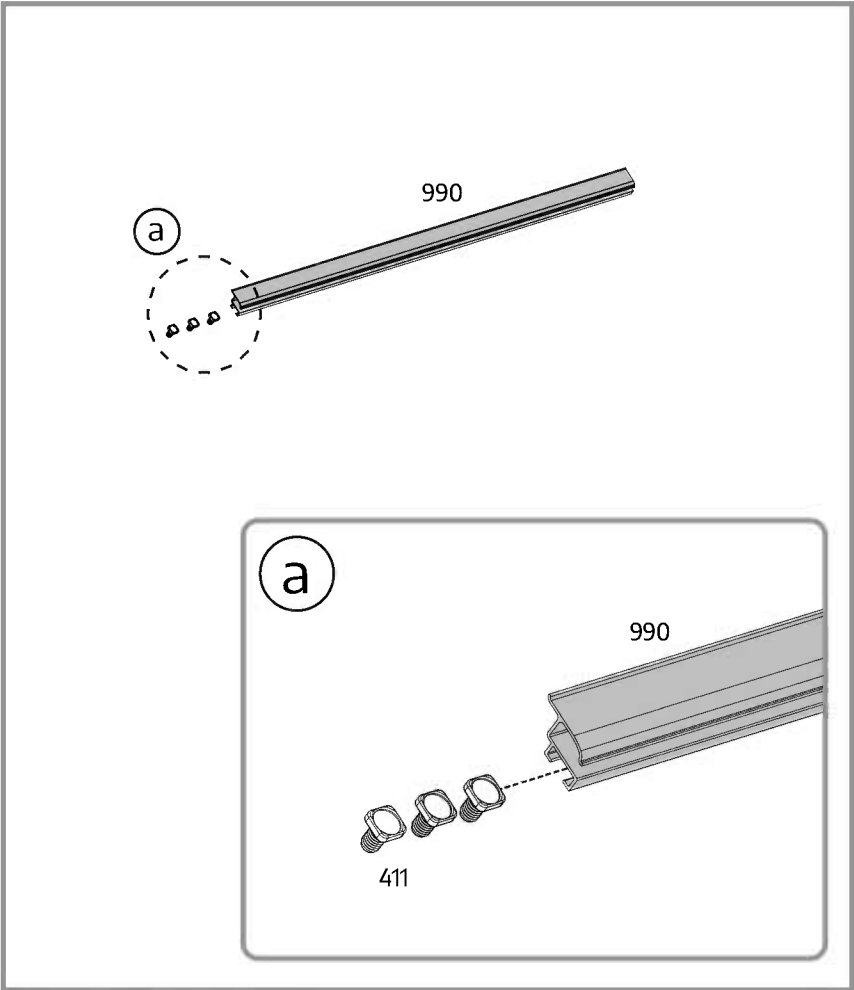
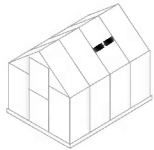
..... 2

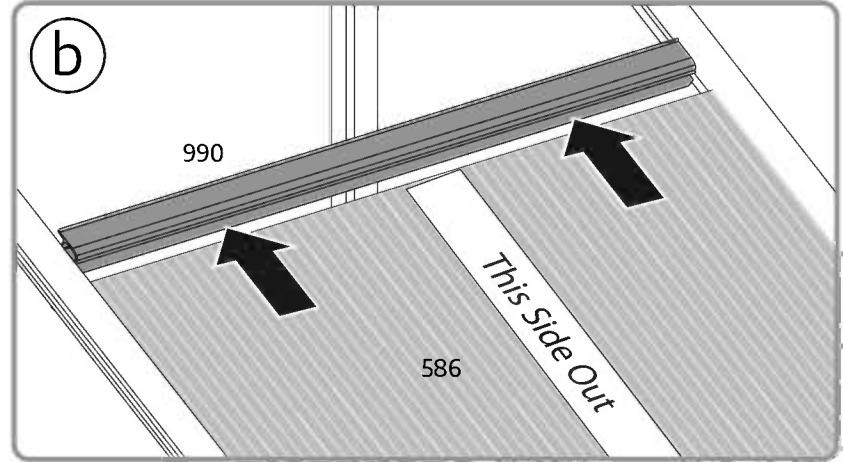
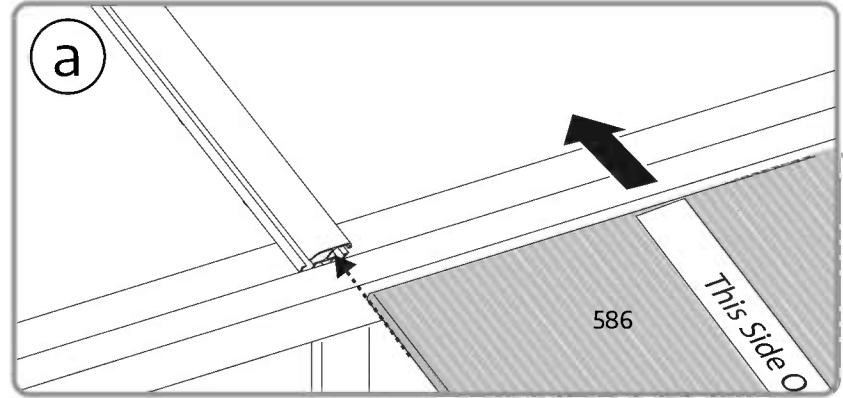
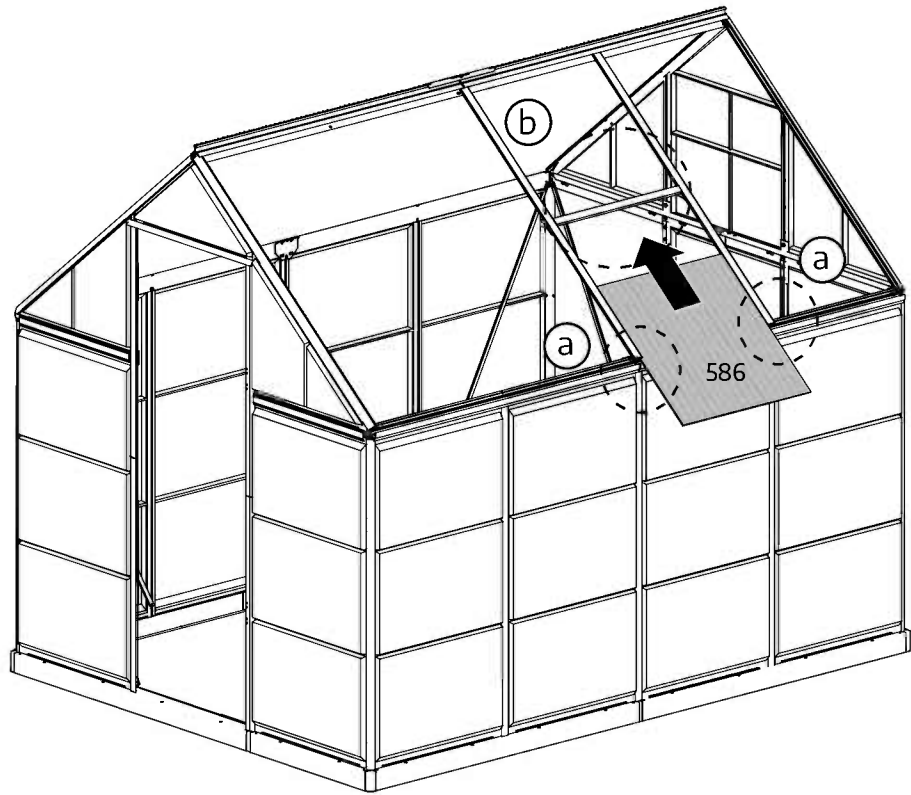
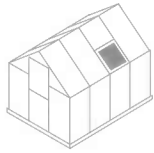


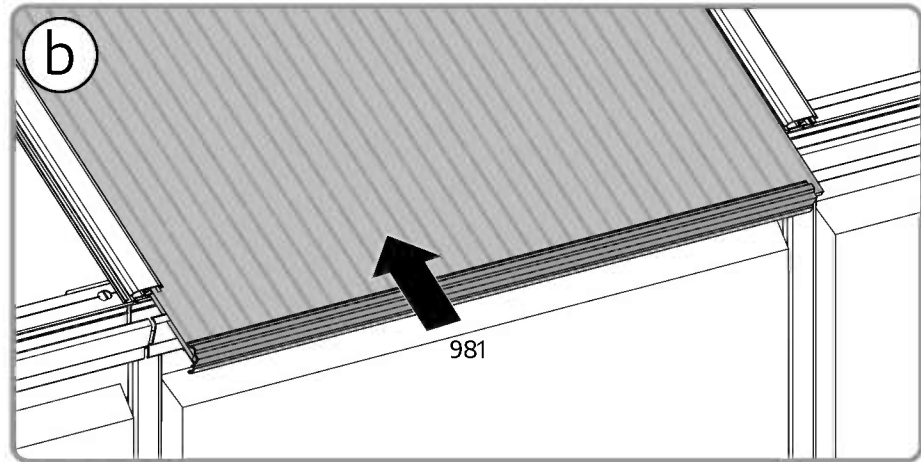
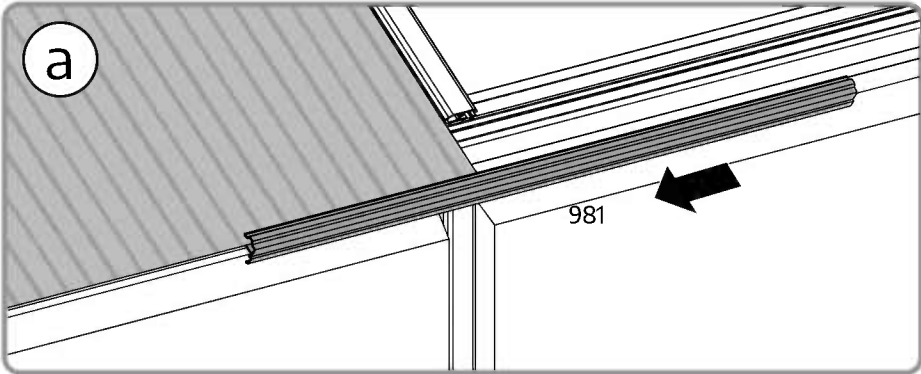
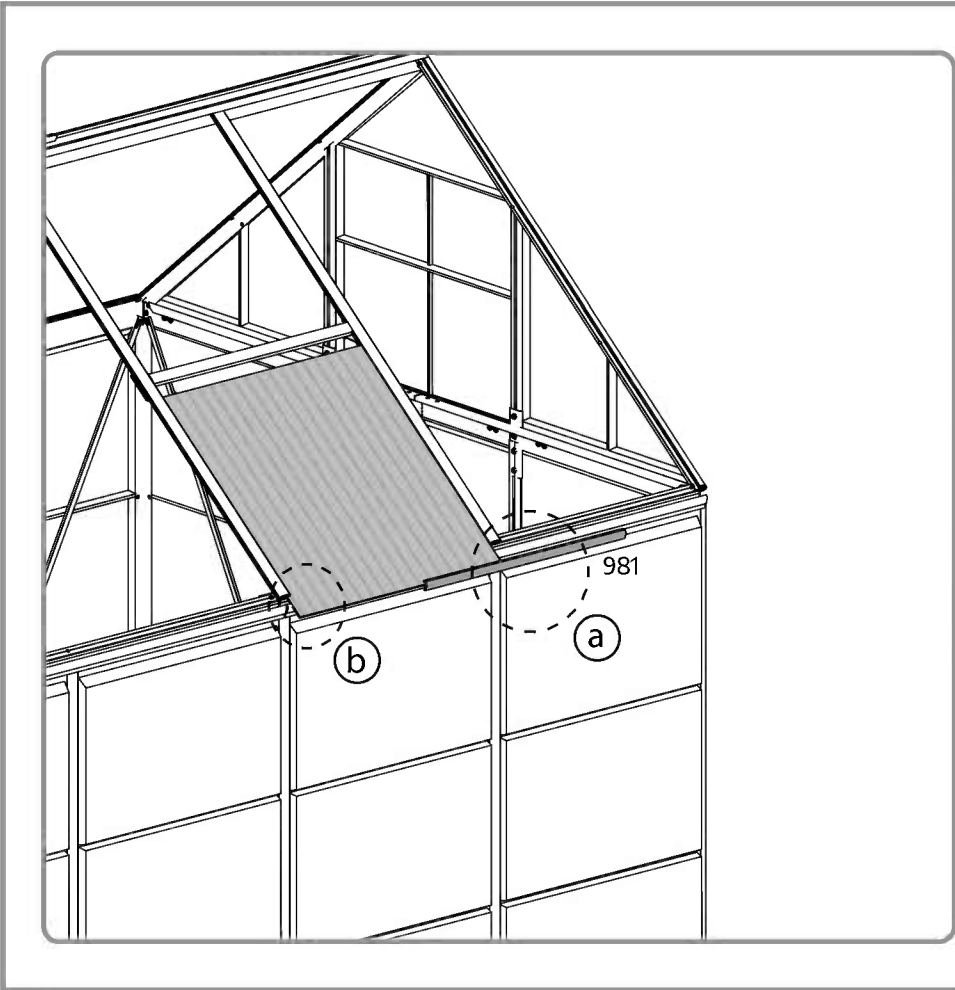
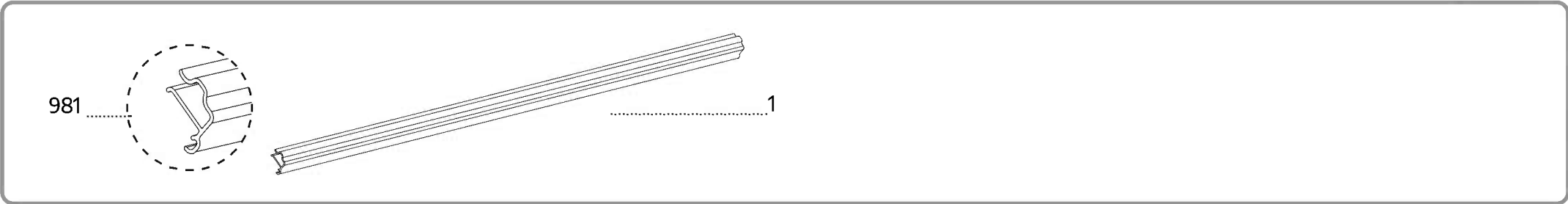
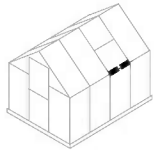
412 .....

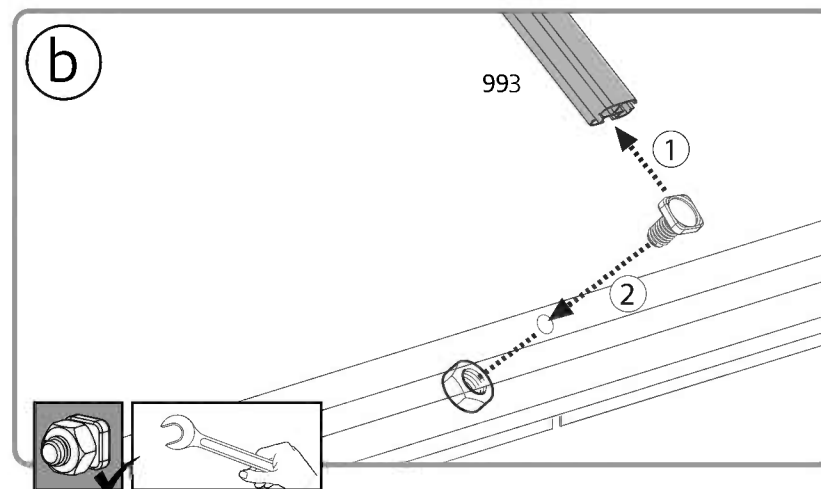
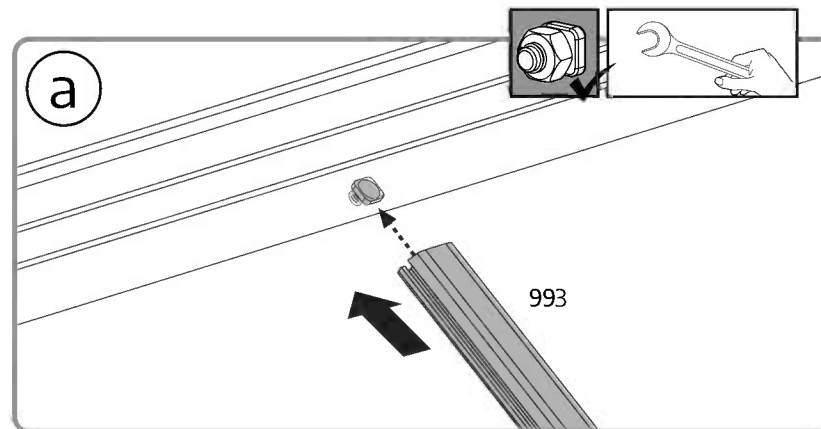
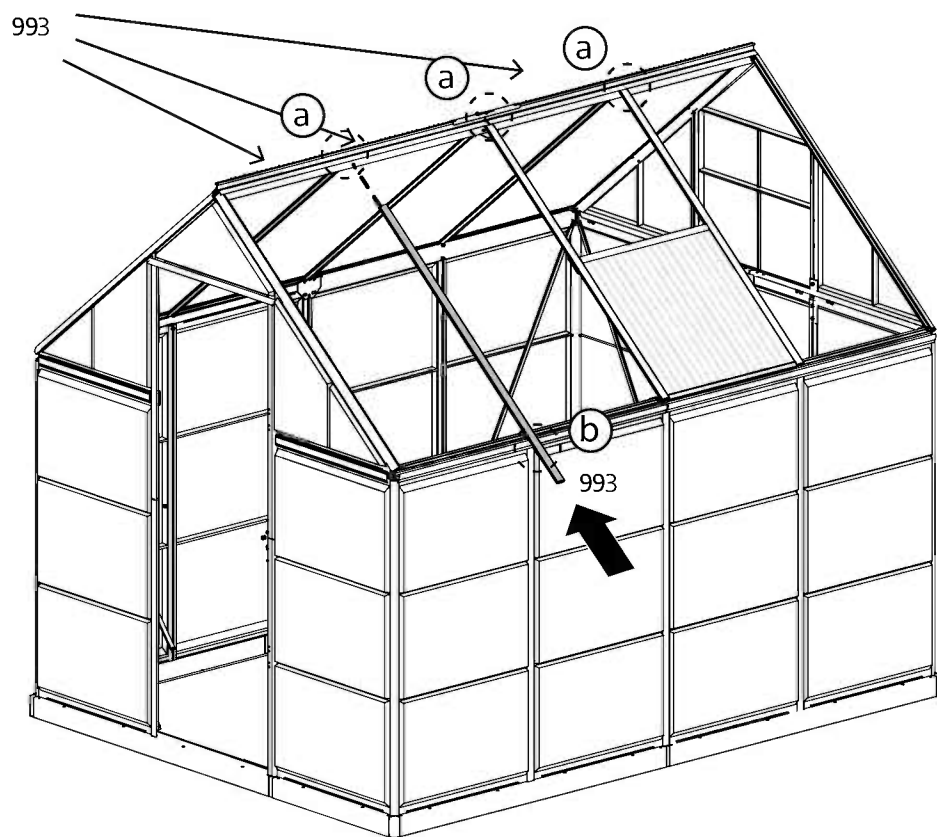
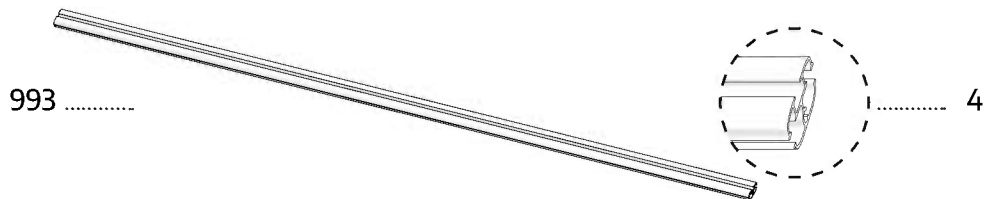
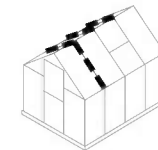
..... 2

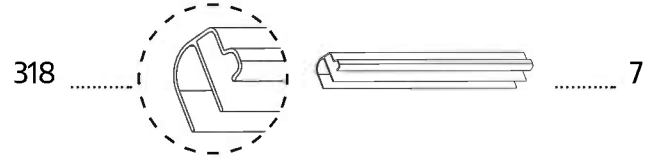
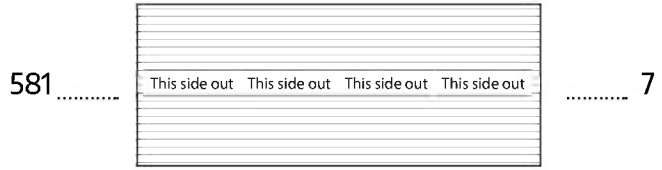
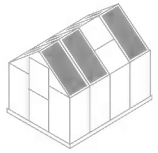




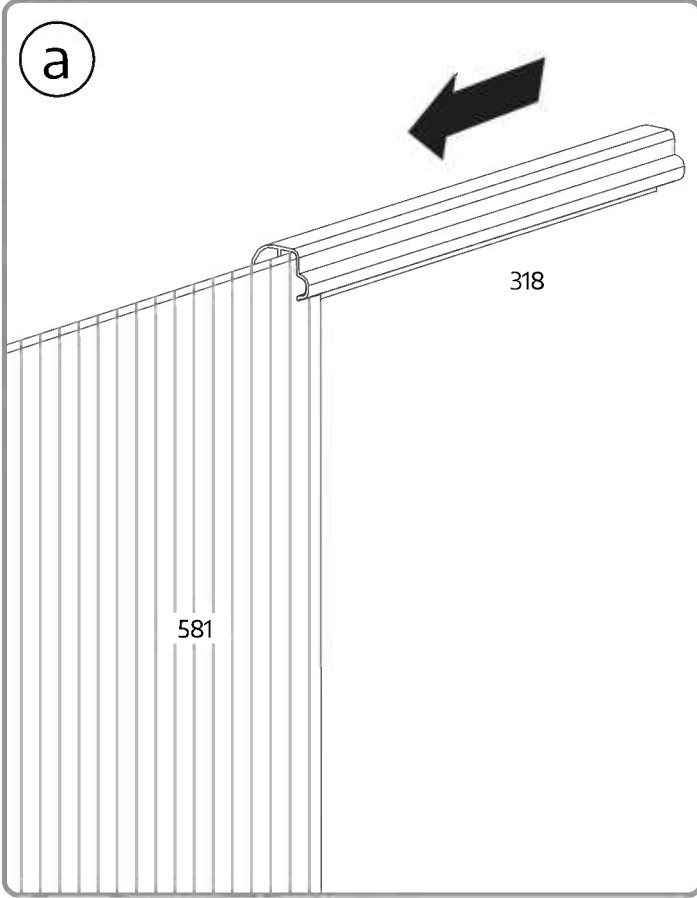
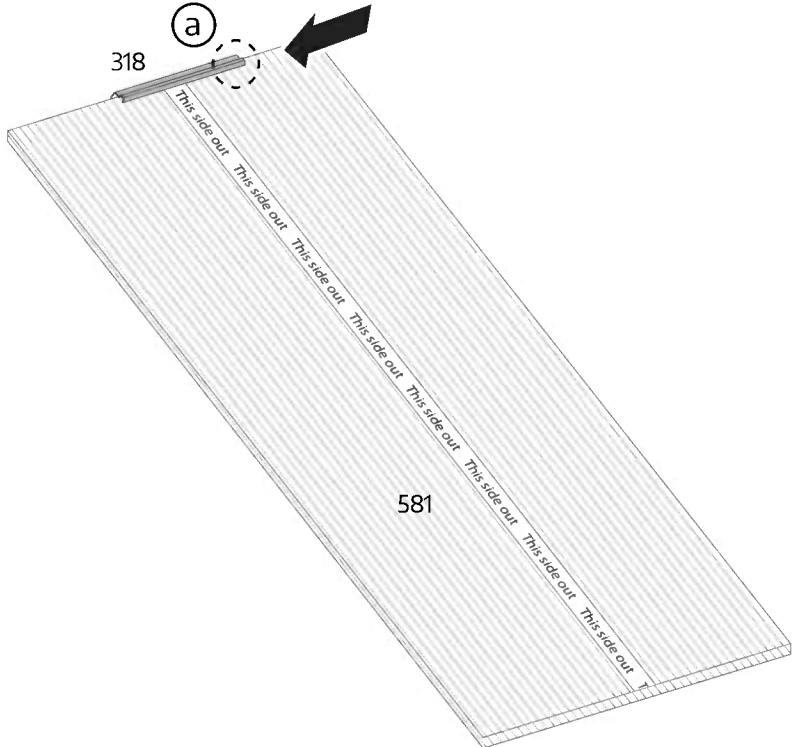


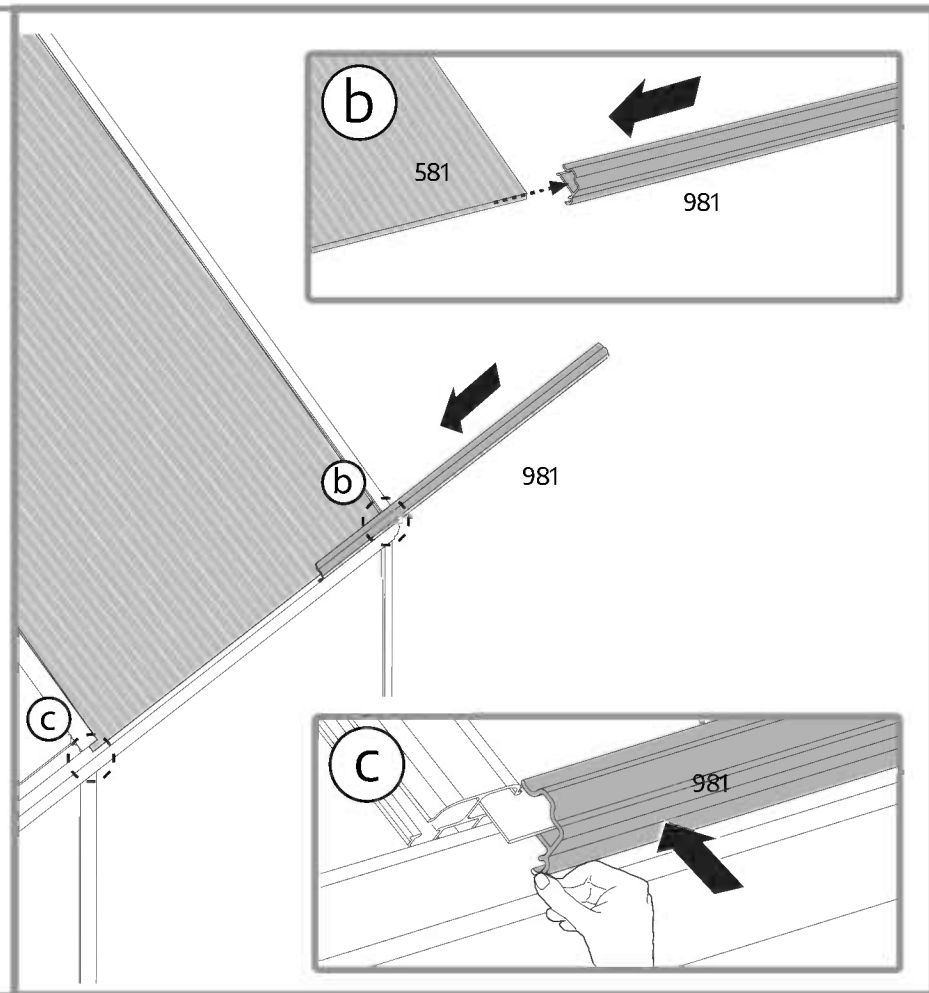
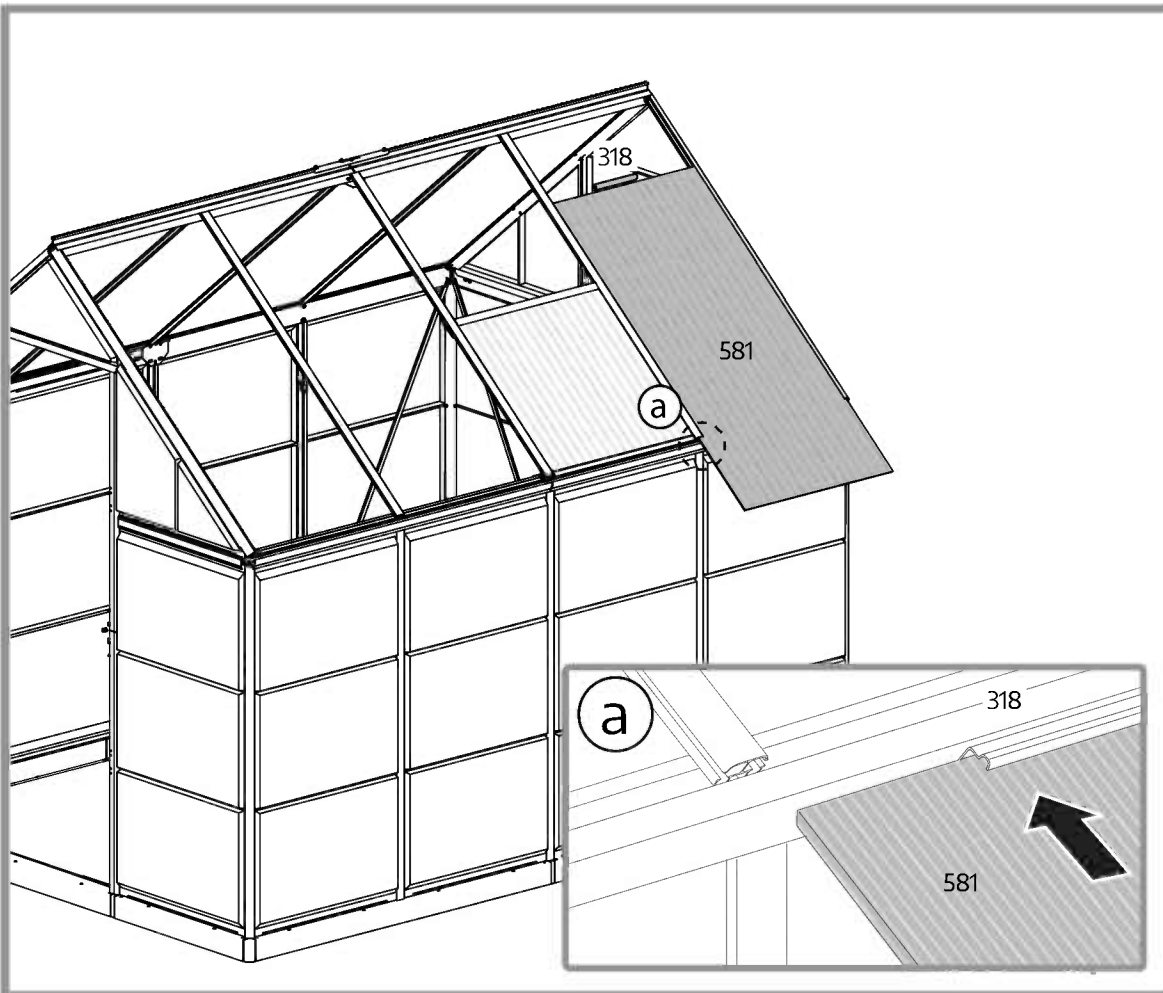
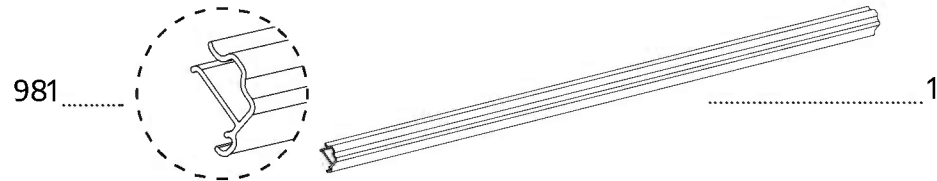
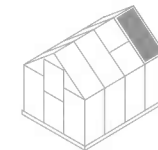


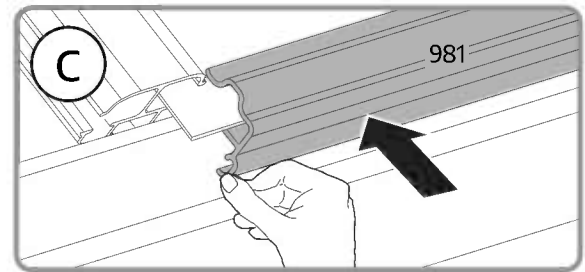
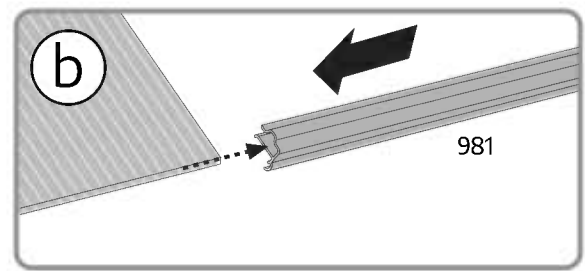
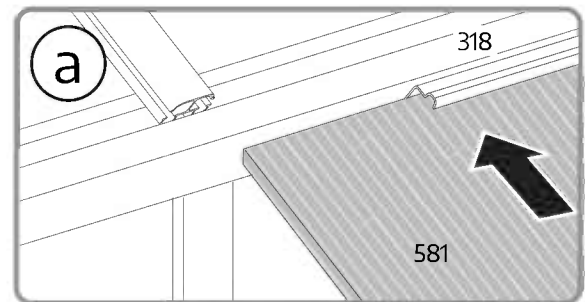
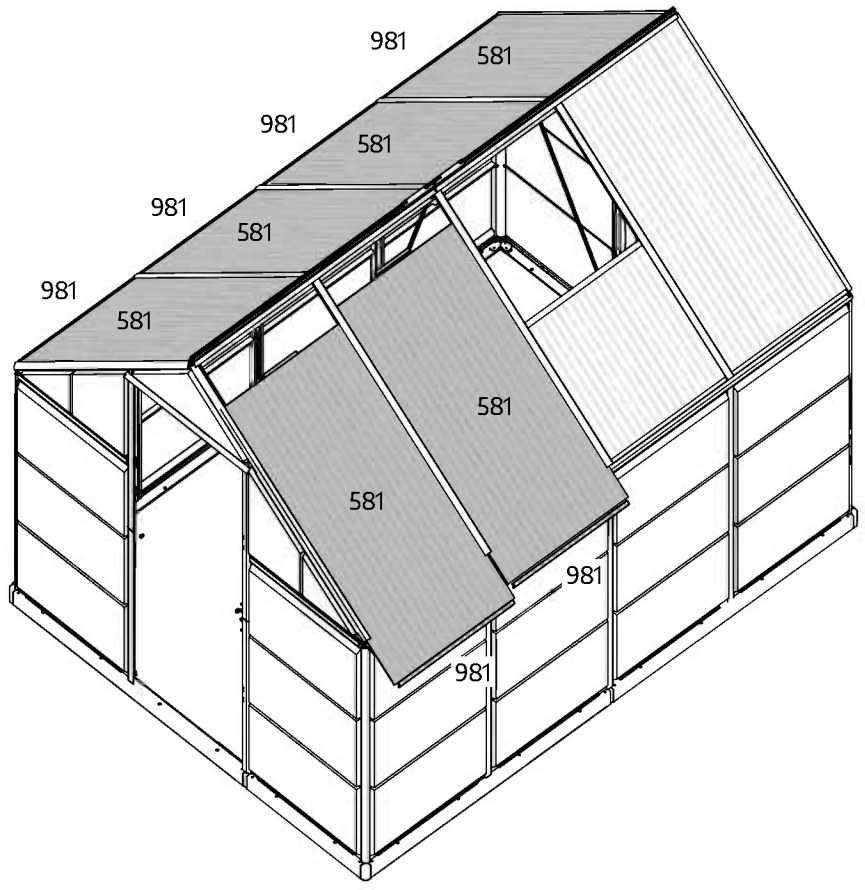
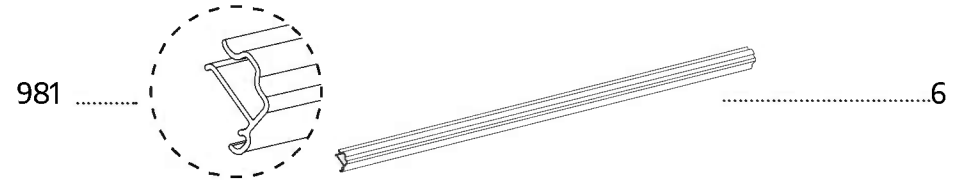
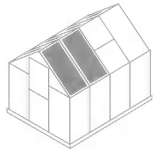


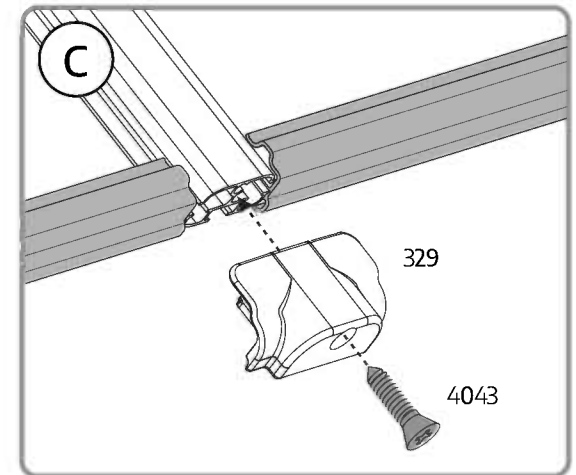
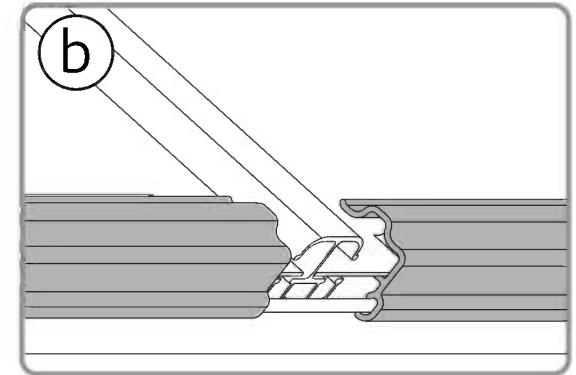
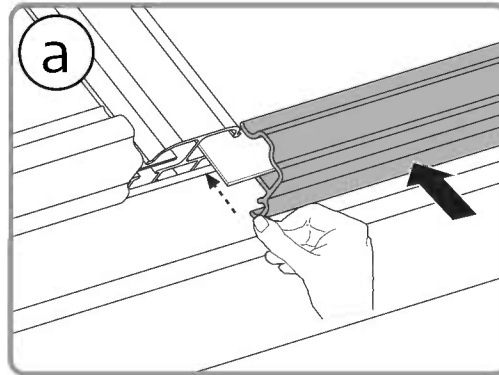
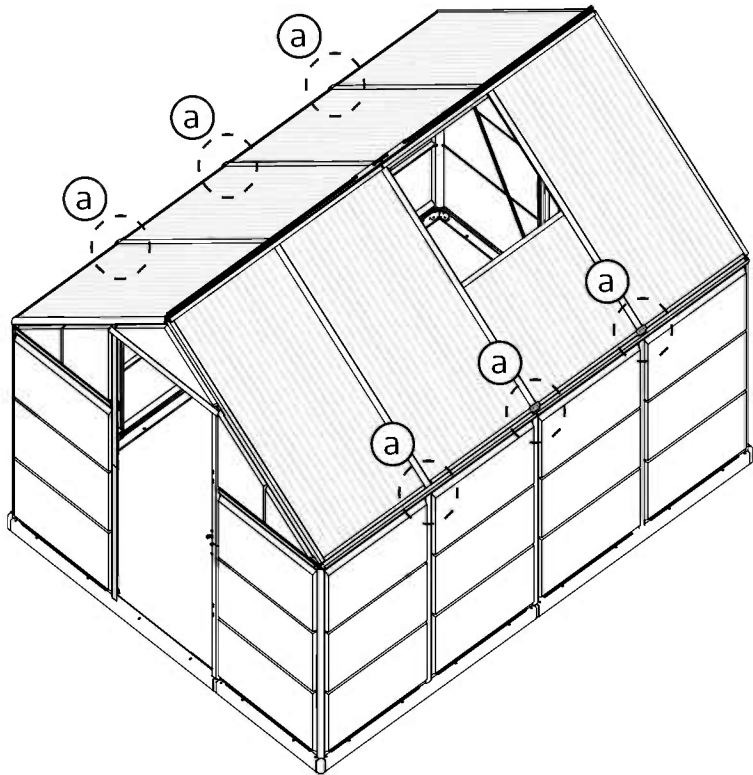
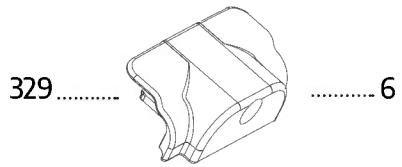
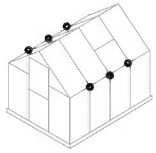


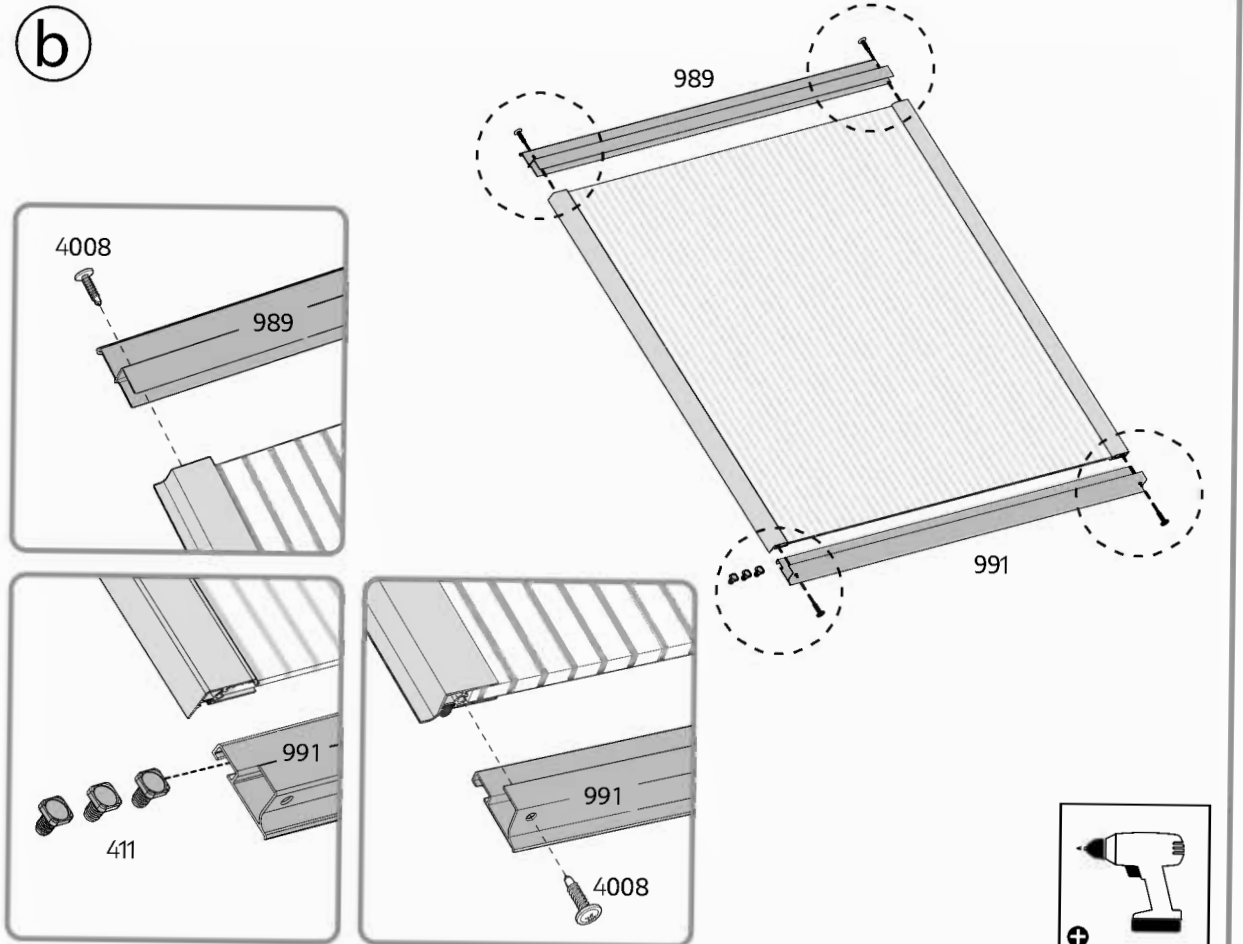
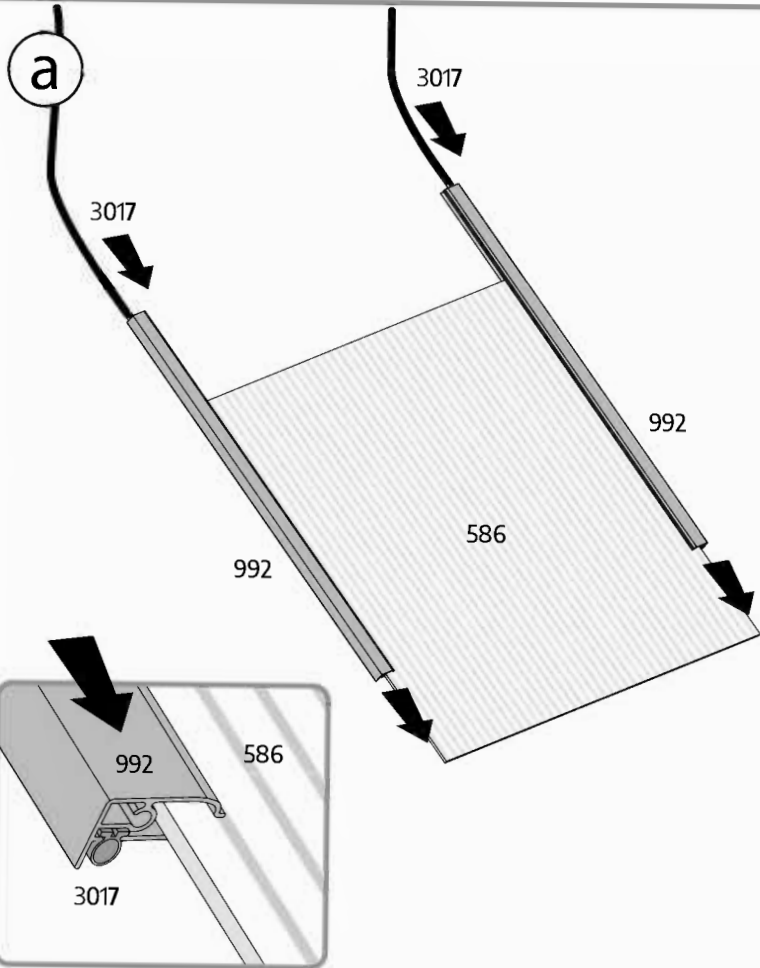
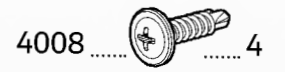
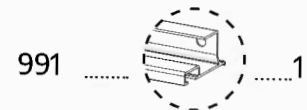
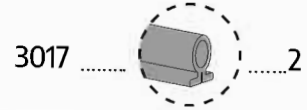
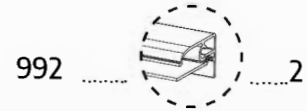
x7

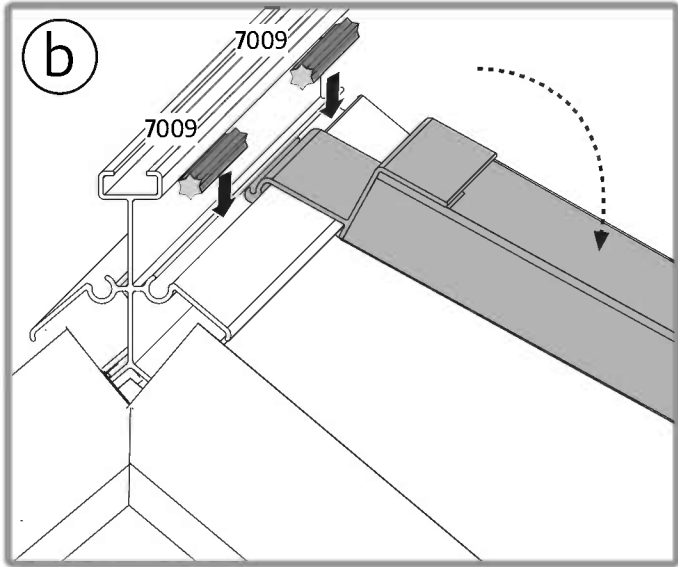
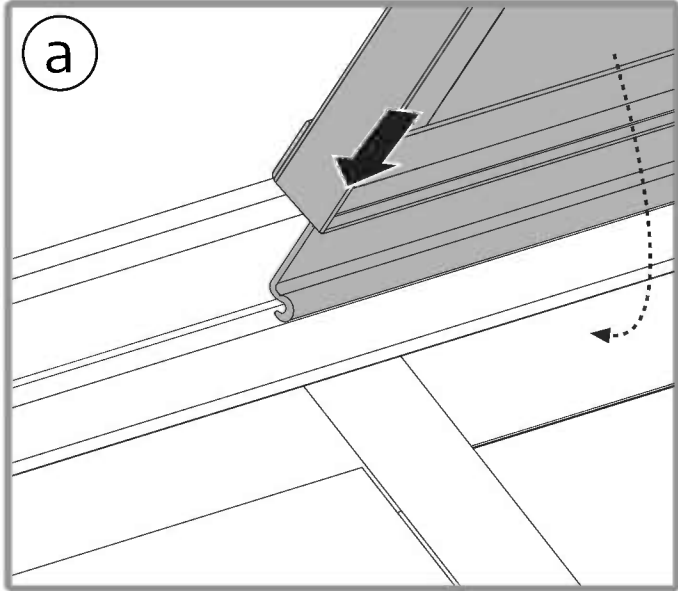
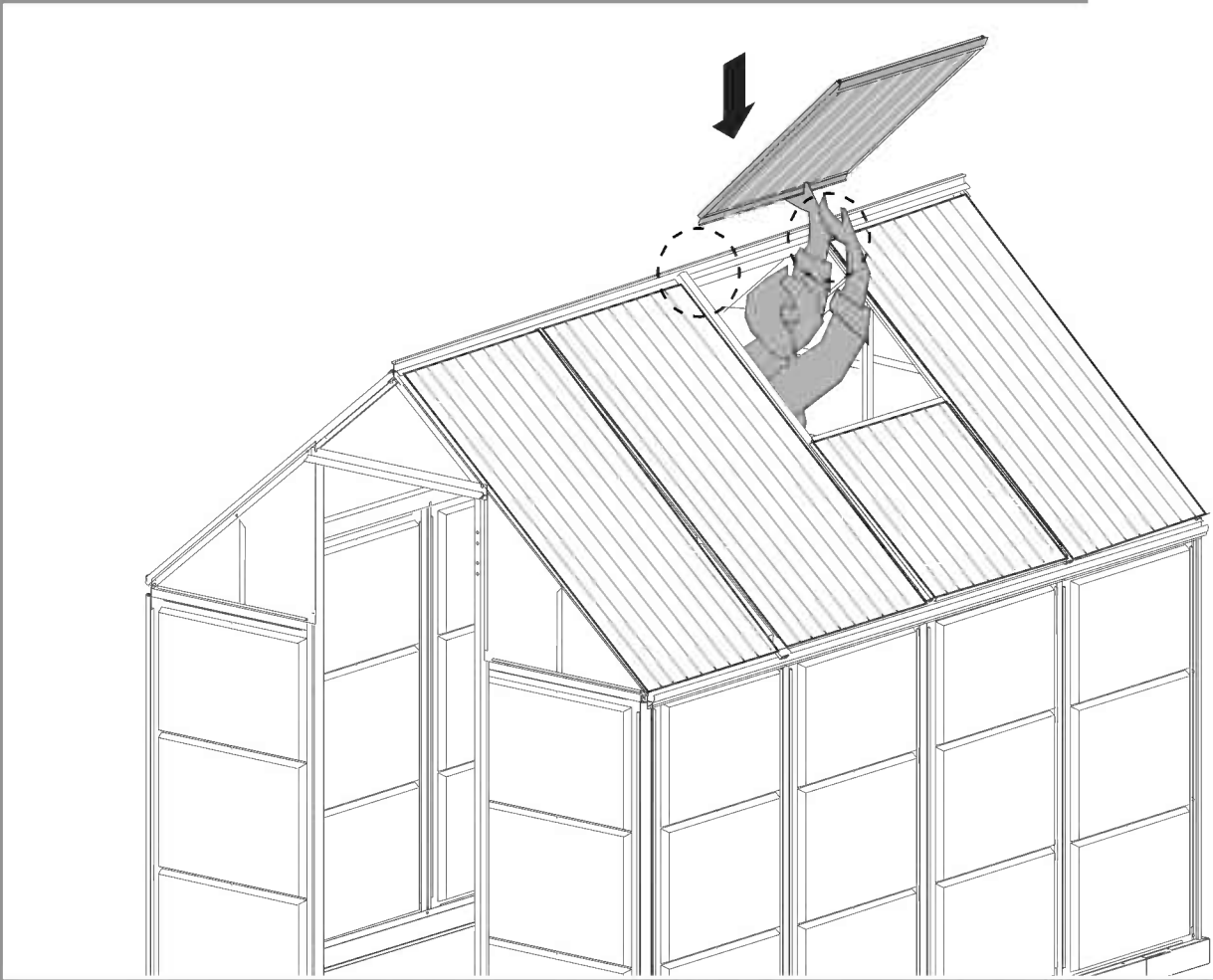
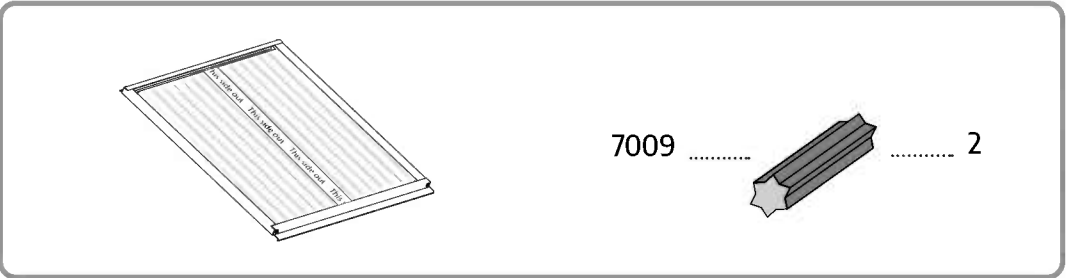
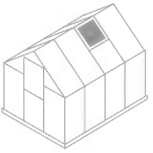


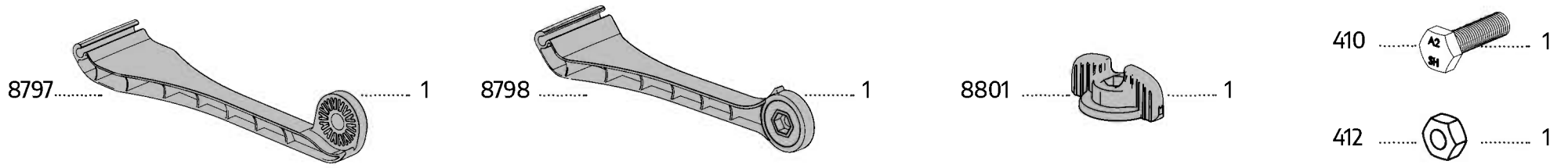
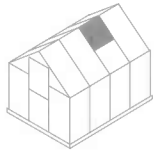




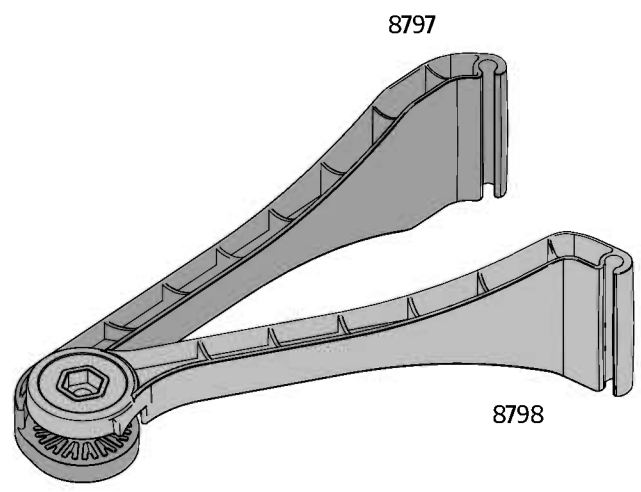




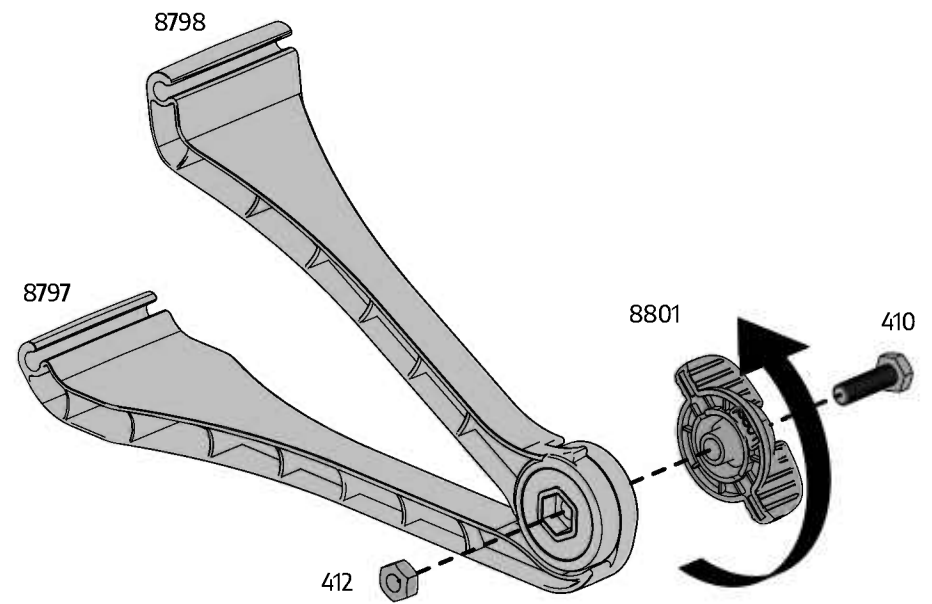


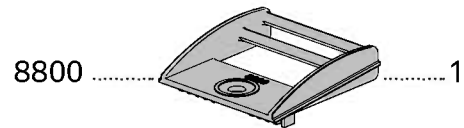
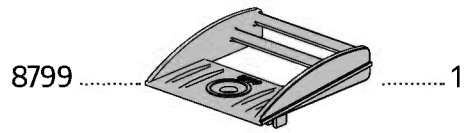
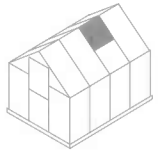


a

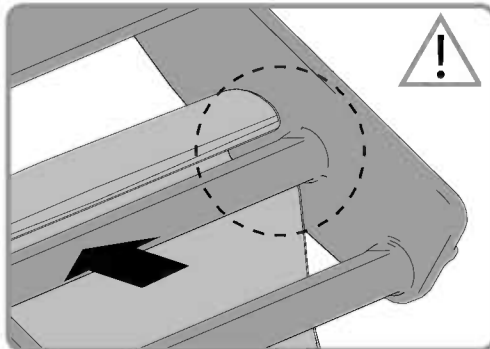
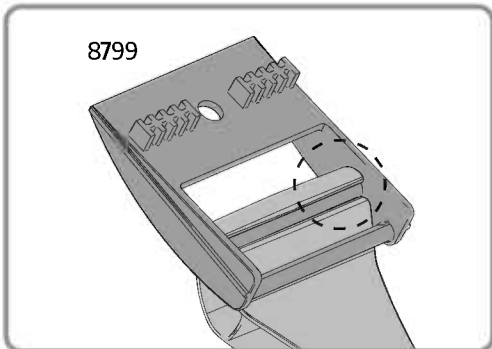
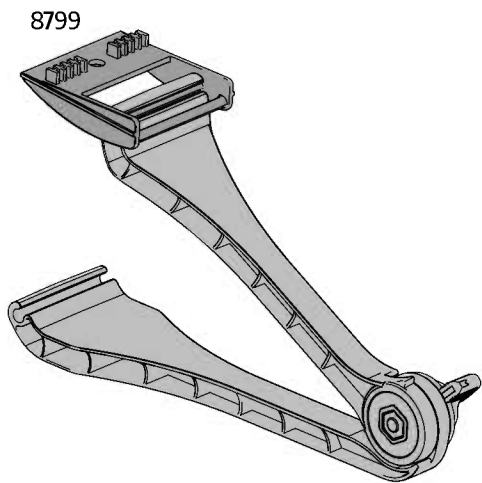


b

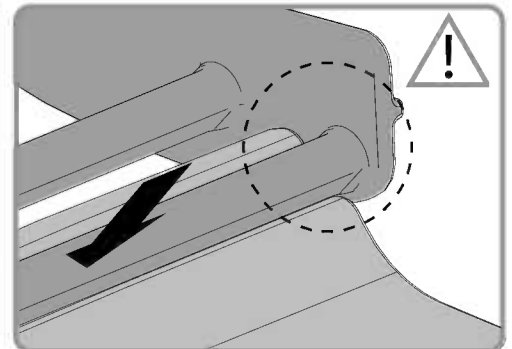
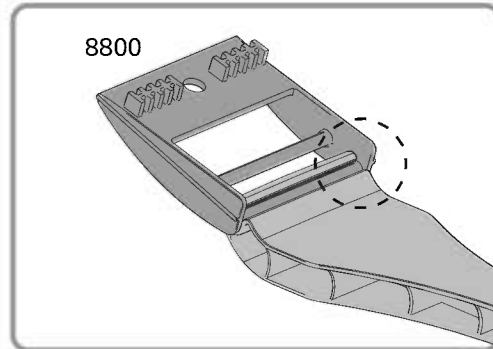
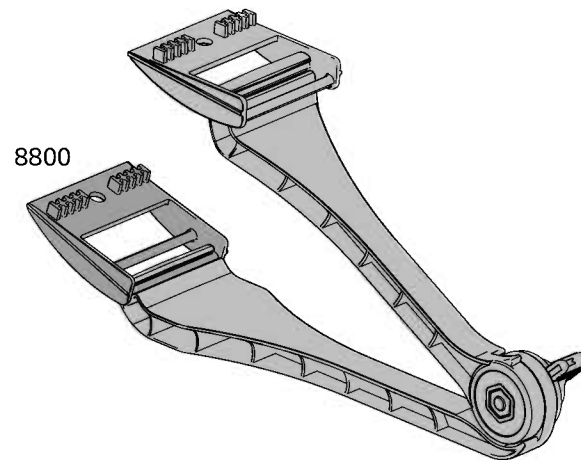




a

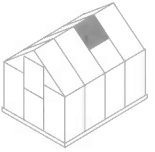


b

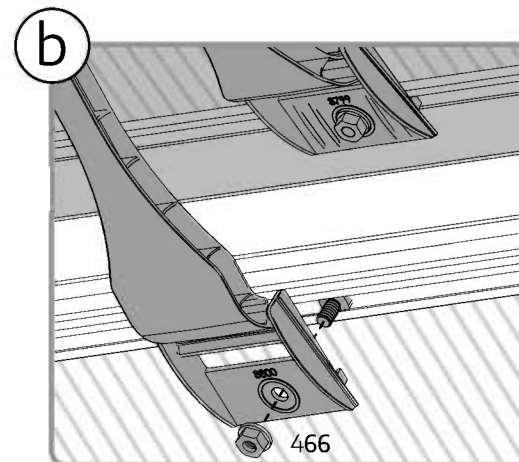
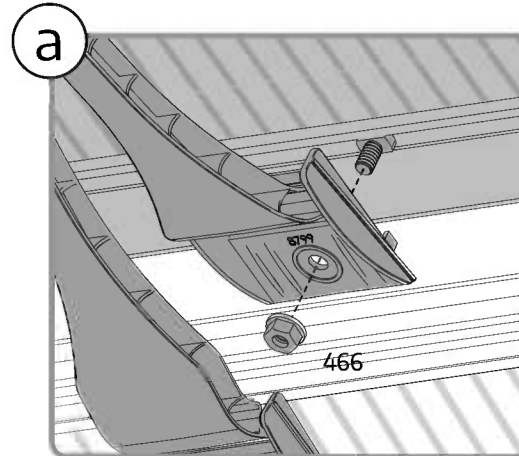
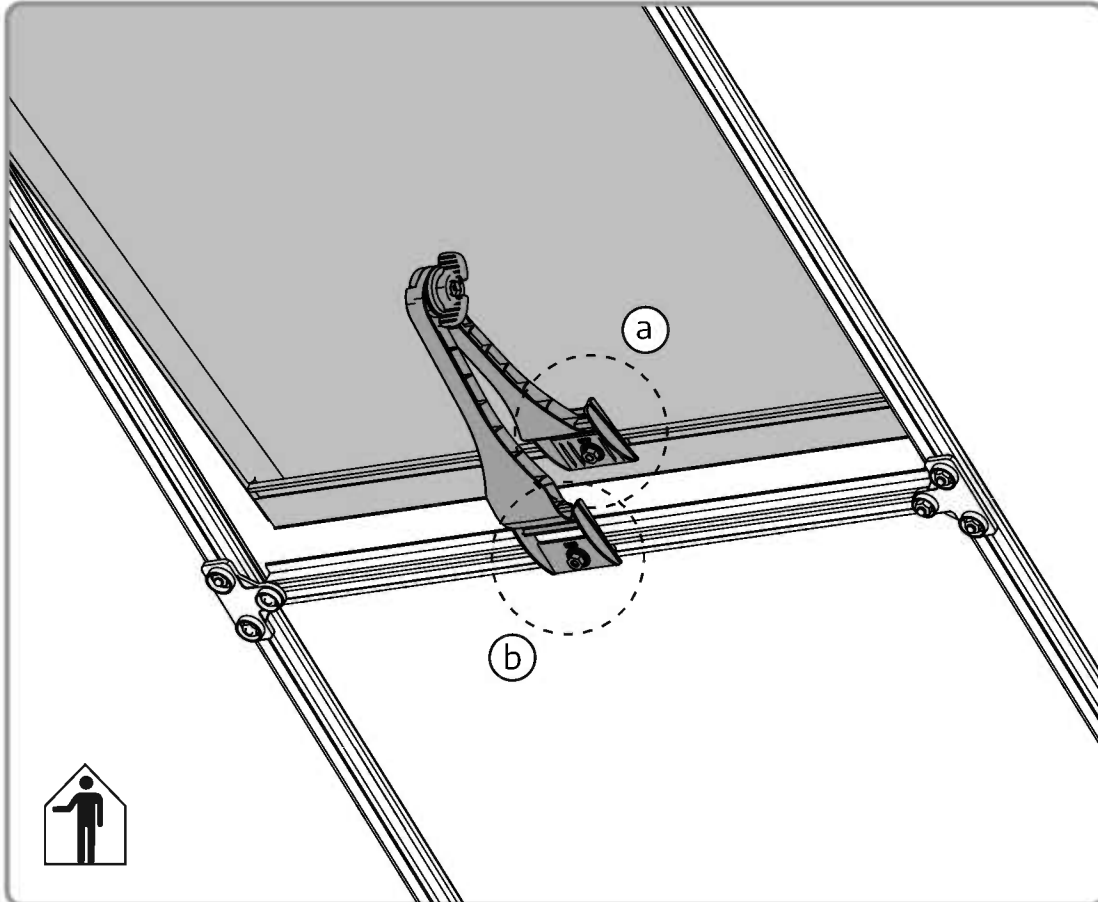


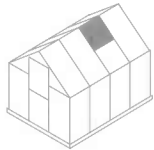


In case the window is not closed properly, please go to **Step 42**, release the screws, adjust the profile and tighten the screws.

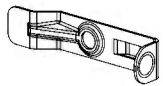


466.....2

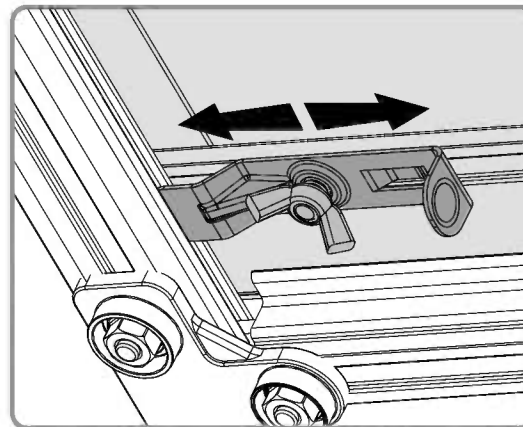
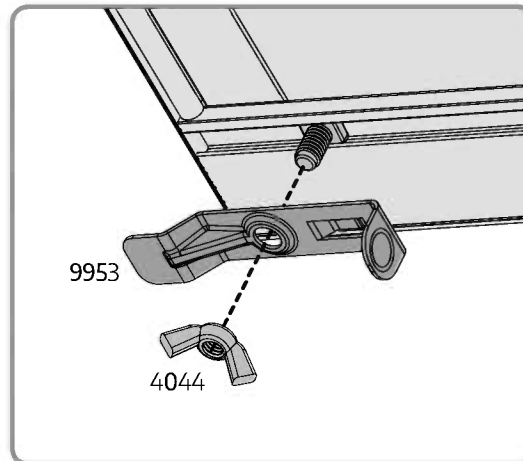
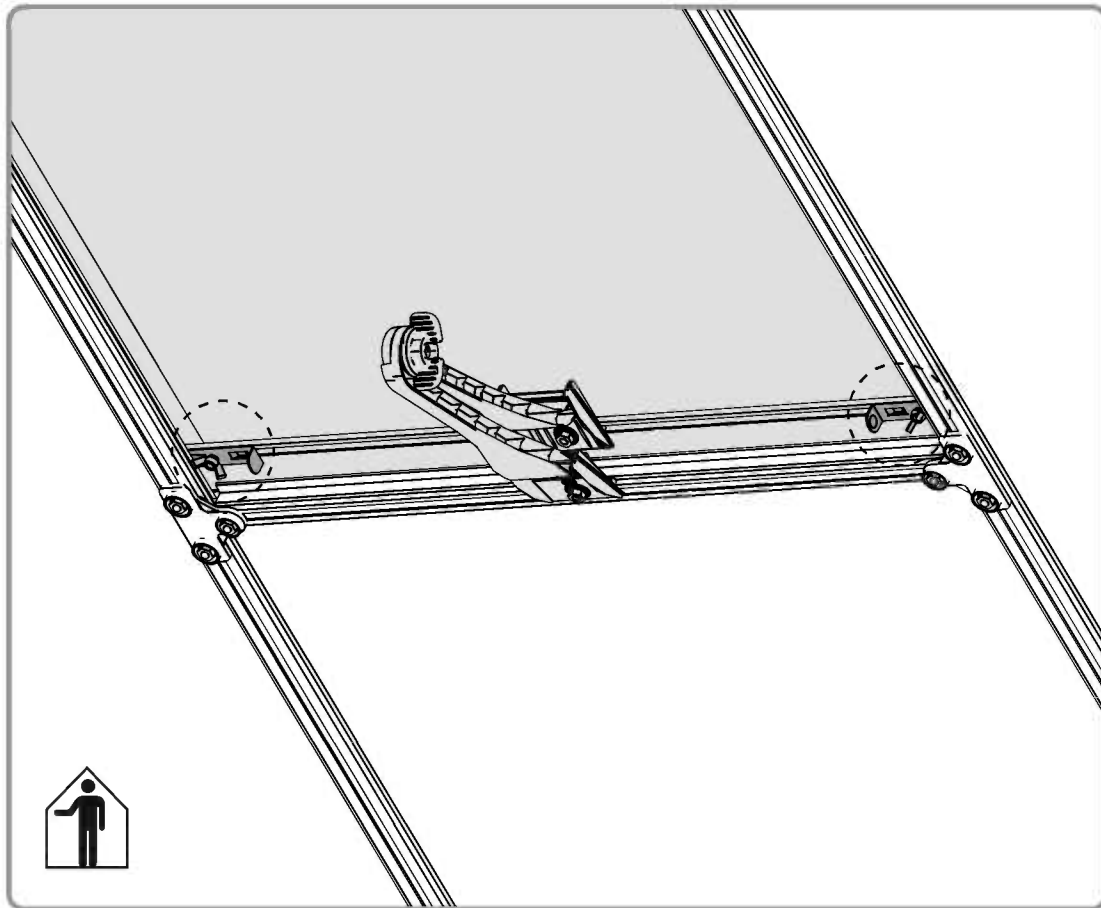




9953 ..... 2



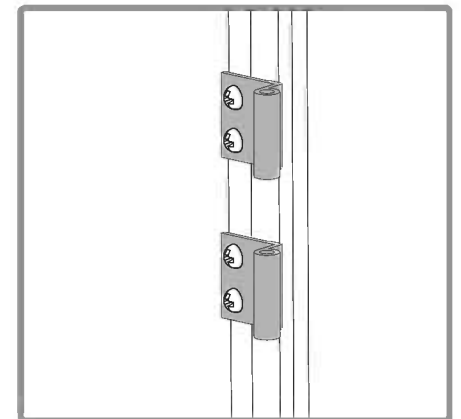
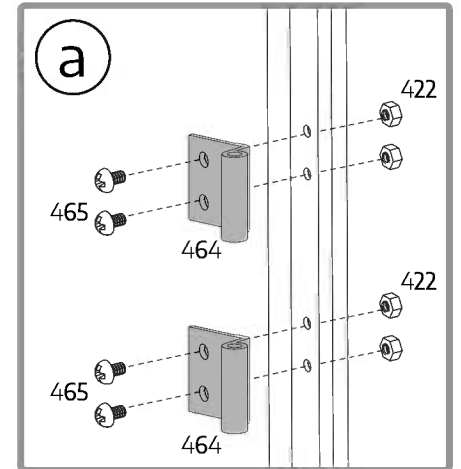
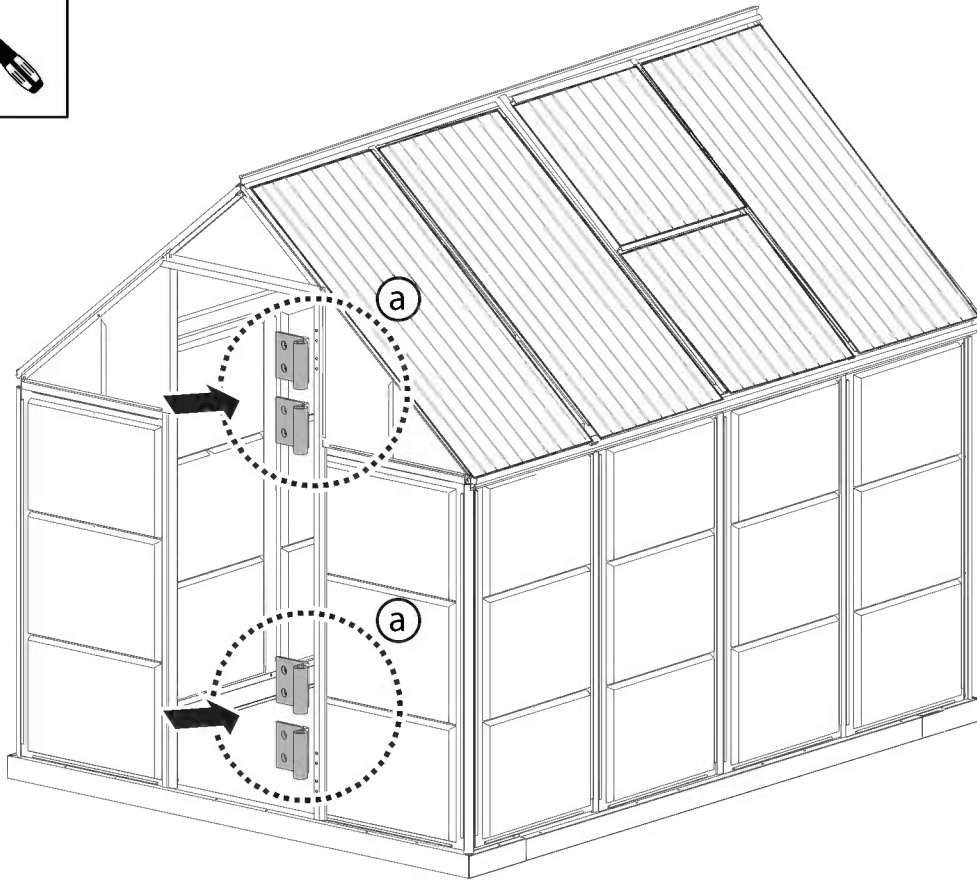
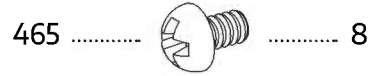
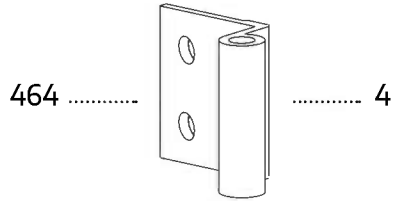
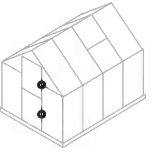
4044 ..... 2

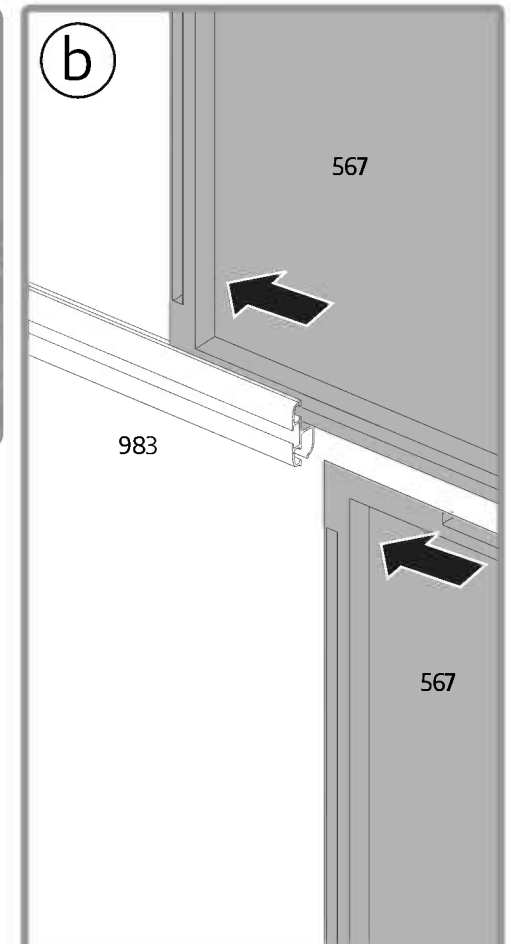
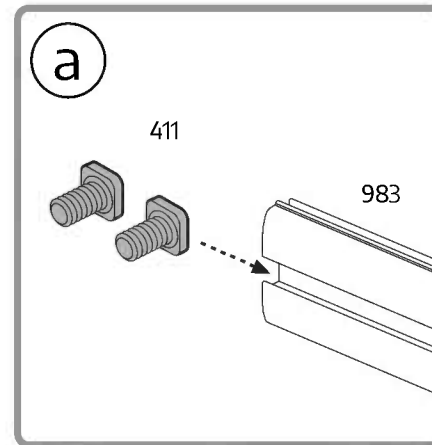
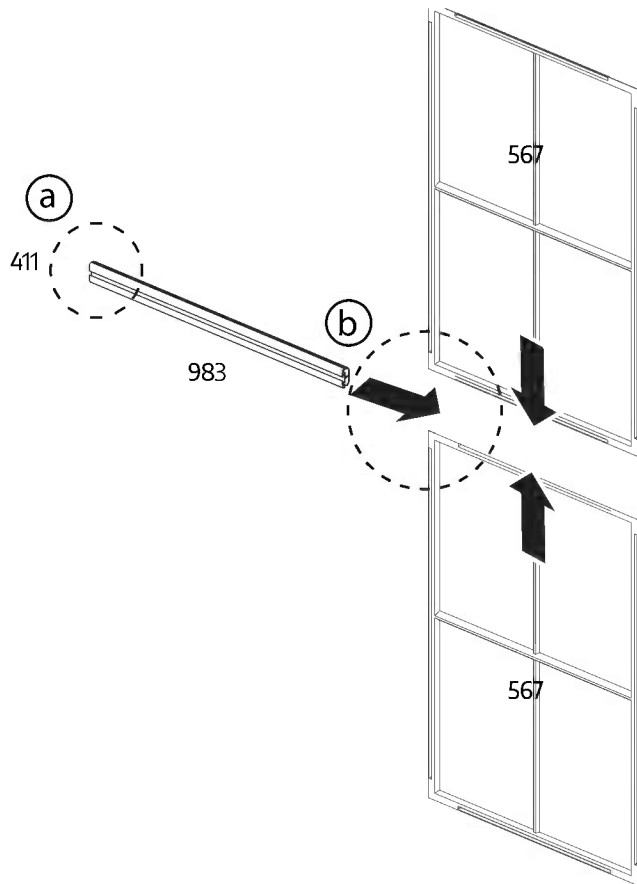
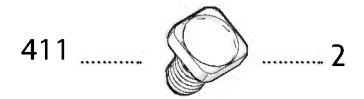
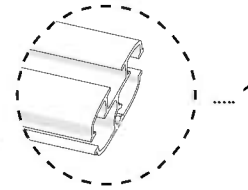
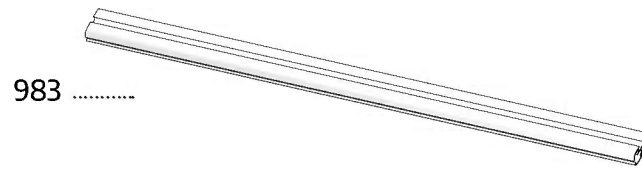
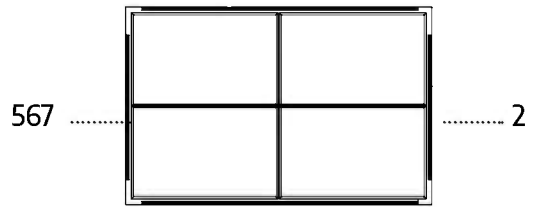
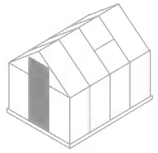


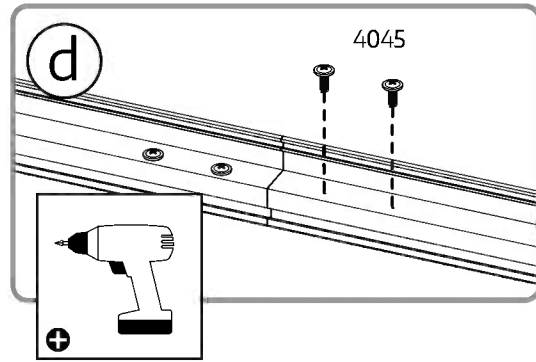
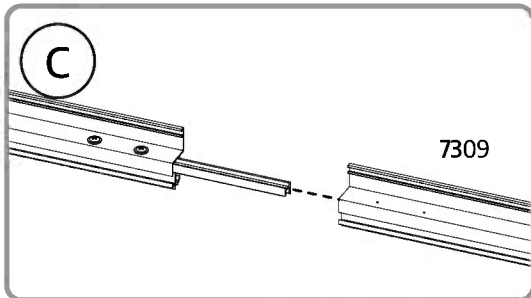
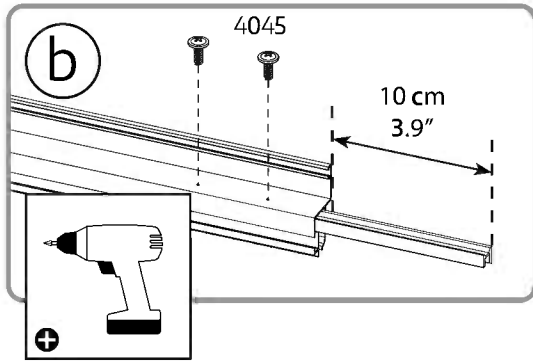
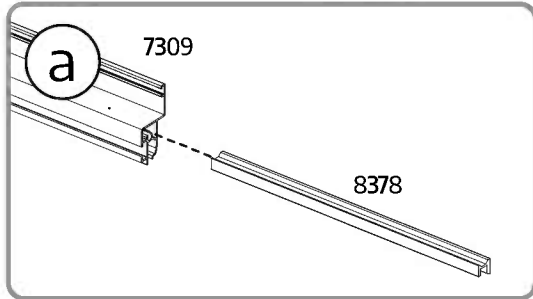
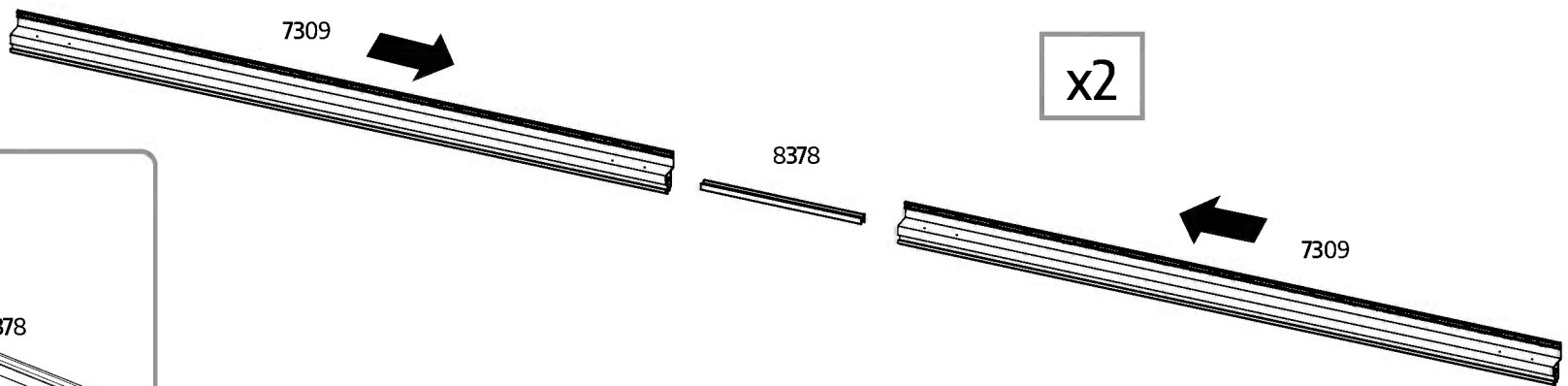
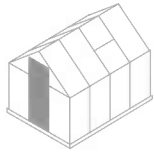


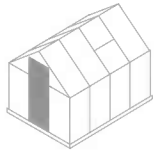
Determines door direction door post #7311 is where door hinges will be located **(Step 14)**.

Door assembly should be done according to this decision.









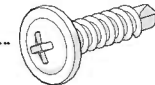
..... 2

984 .....

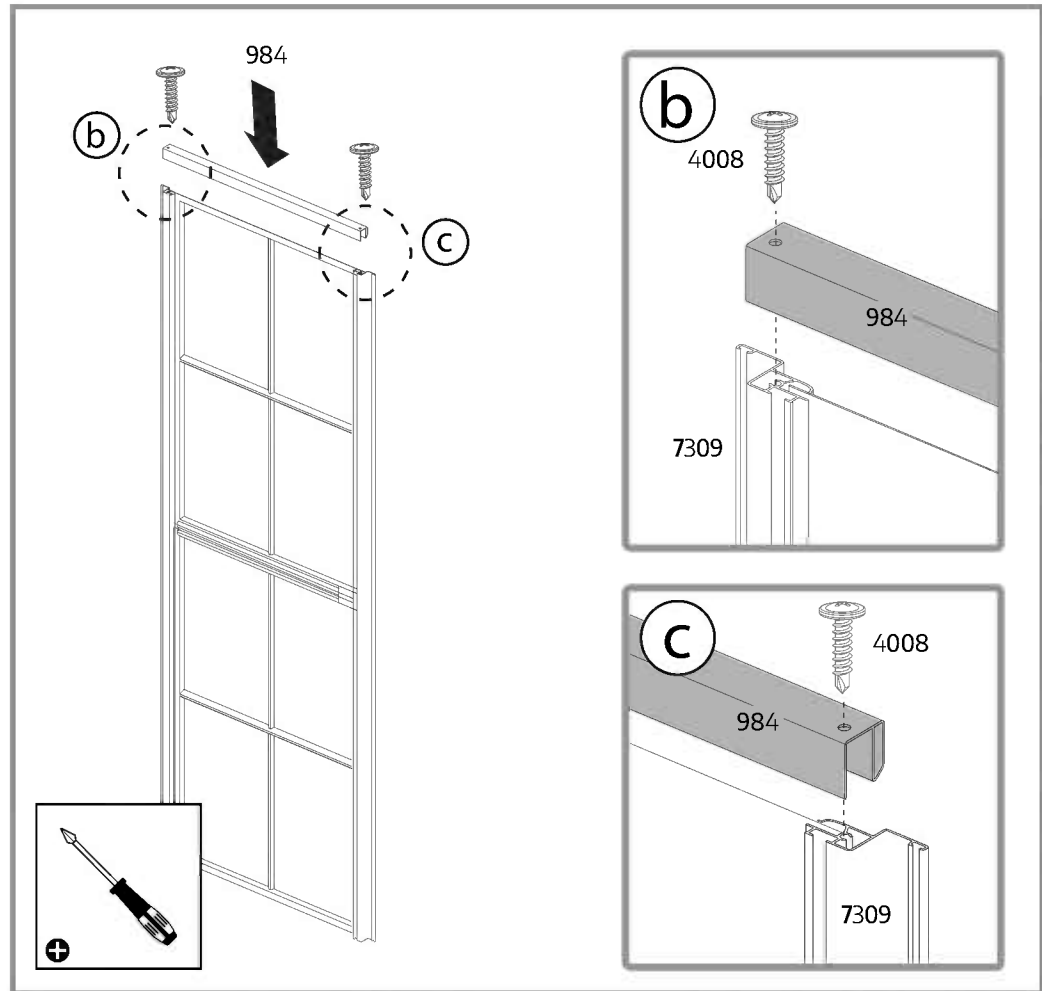
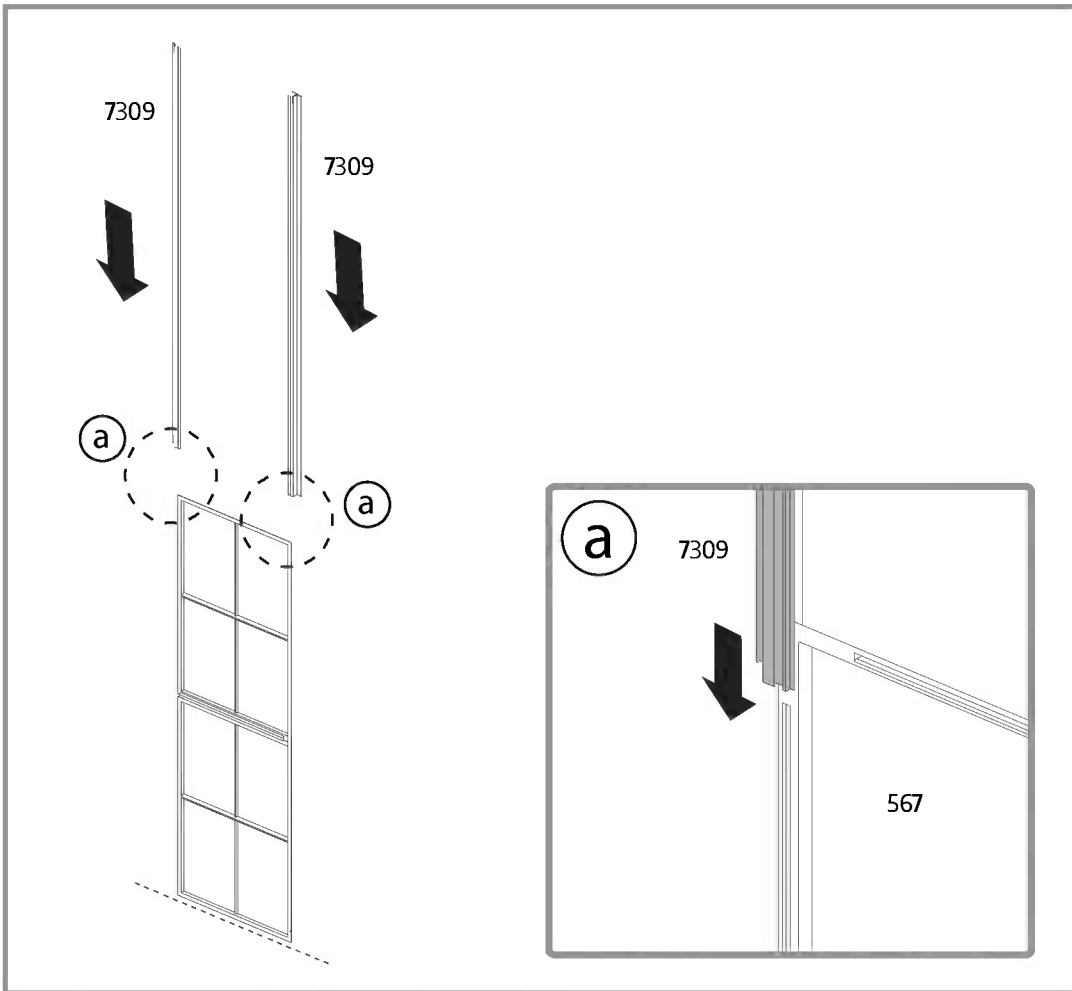


..... 1

4008 .....

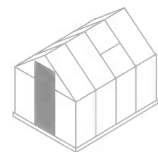




..... 2

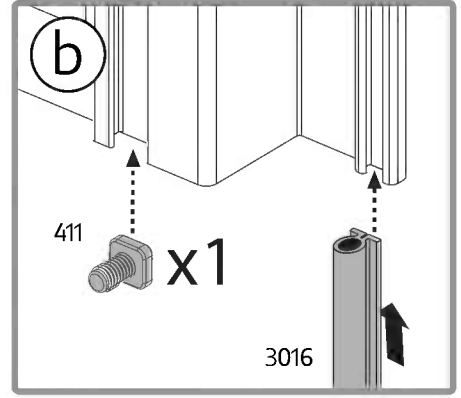
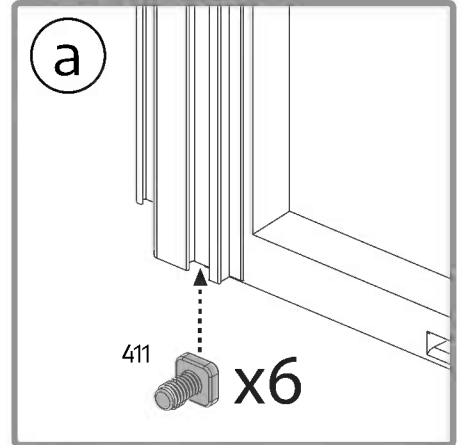
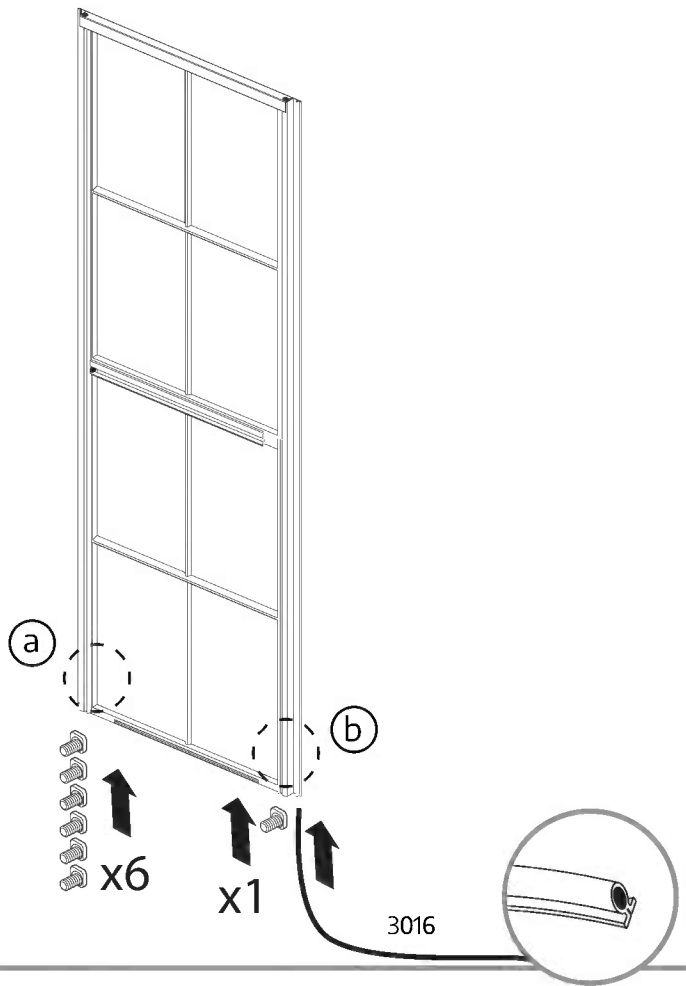




Determines door direction door post #7311 is where door hinges will be located **(Step 14)**.  
Door assembly should be done according to this decision.



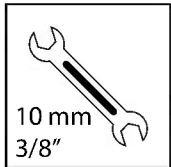
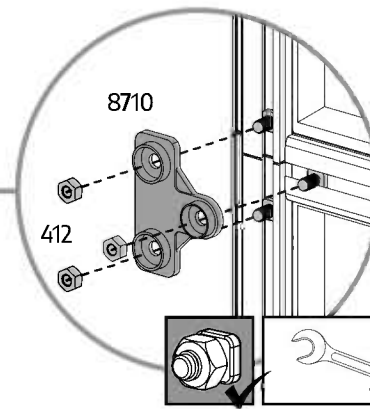
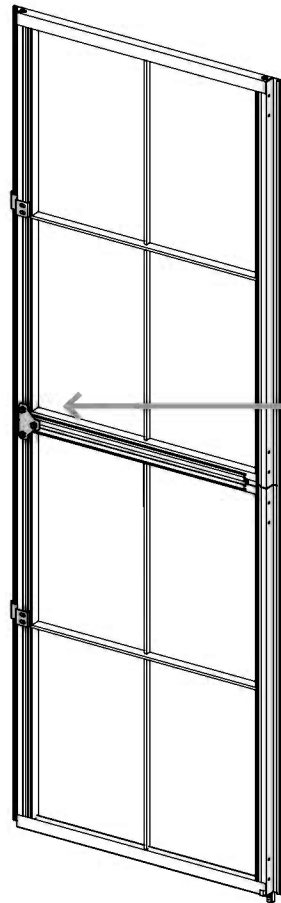
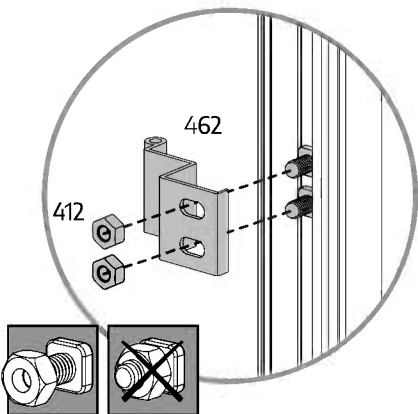
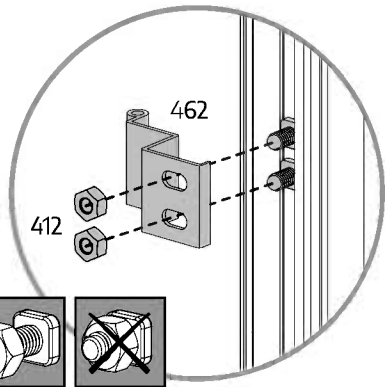
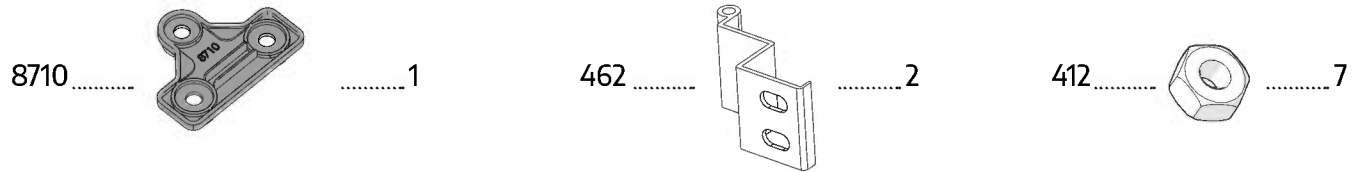
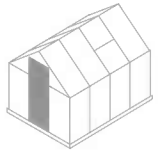
- 411 .....  ..... 7
- 3016 .....  ..... 1





Determines door direction door post #7311 is where door hinges will be located **(Step 14)**.

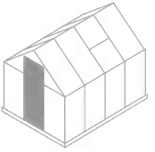
Door assembly should be done according to this decision.



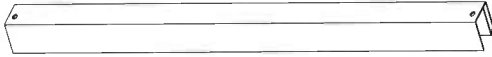


Determines door direction door post #7311 is where door hinges will be located **(Step 14)**.

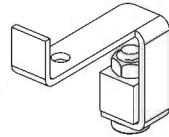
Door assembly should be done according to this decision.



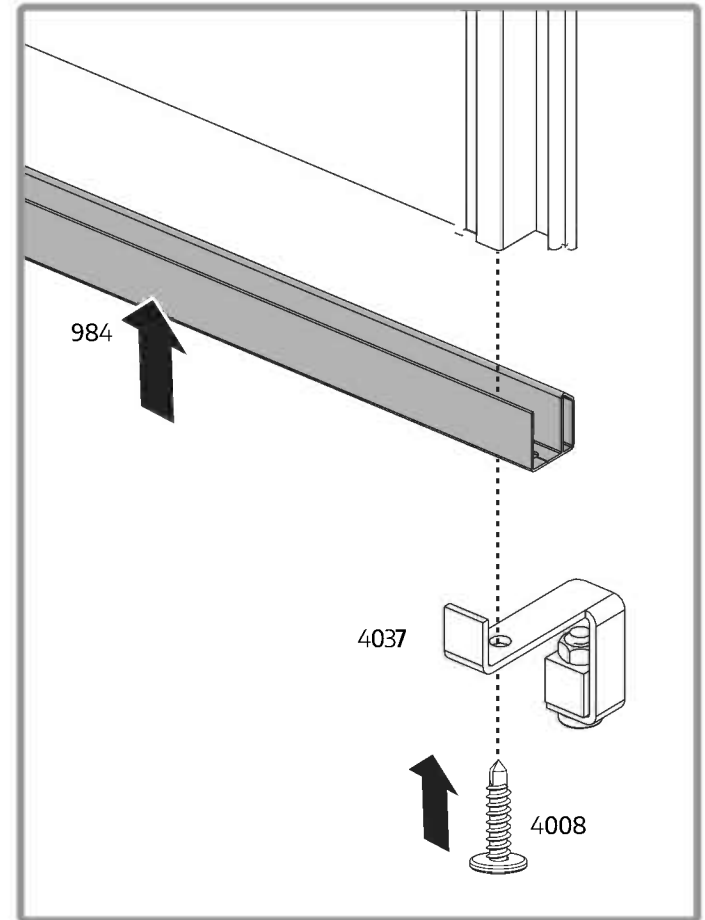
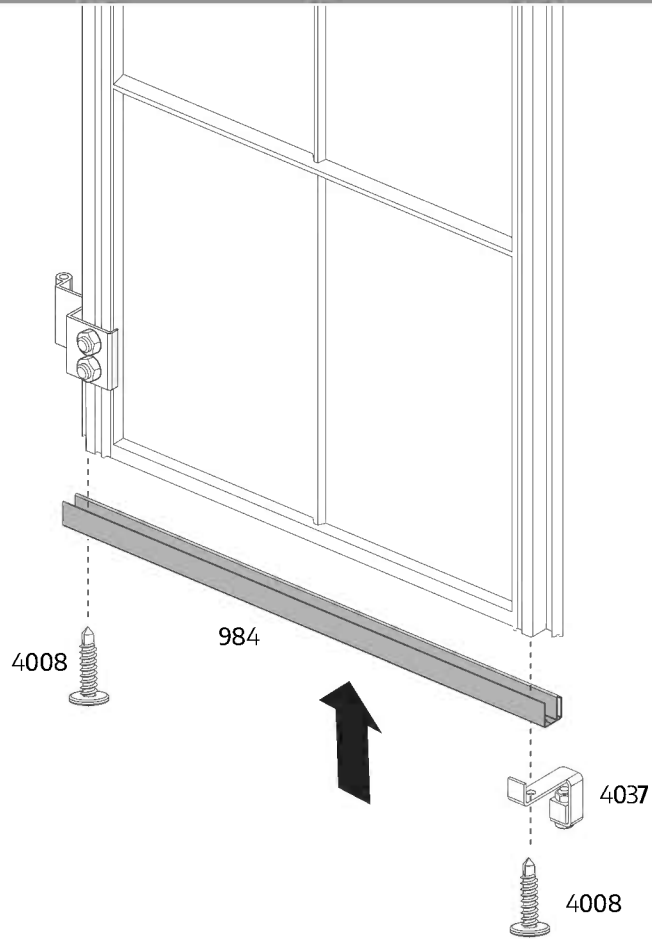
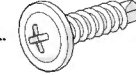
984 ..... 1



4037 ..... 1

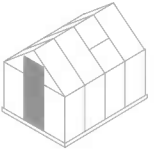


4008 ..... 2

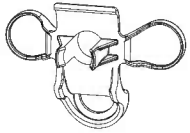




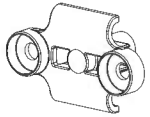
Determines door direction door post #7311 is where door hinges will be located **(Step 14)**.  
 Door assembly should be done according to this decision.



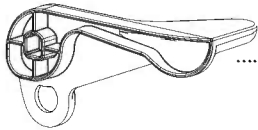
7086 ..... 1



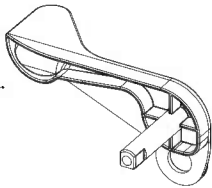
7085 ..... 1



7084 ..... 1



7083 ..... 1



7088 ..... 1

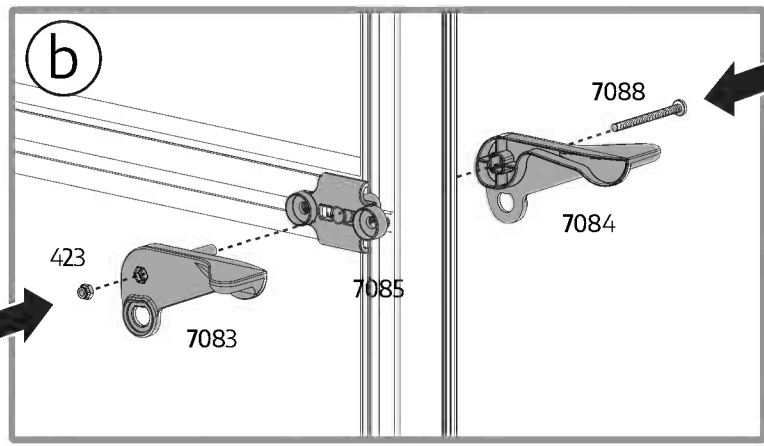
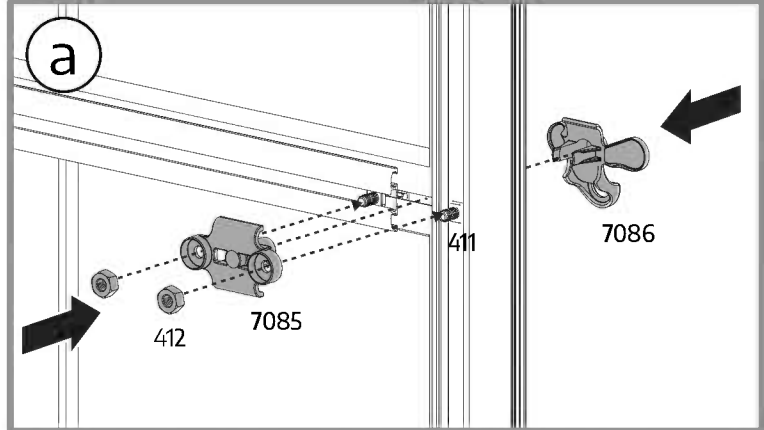
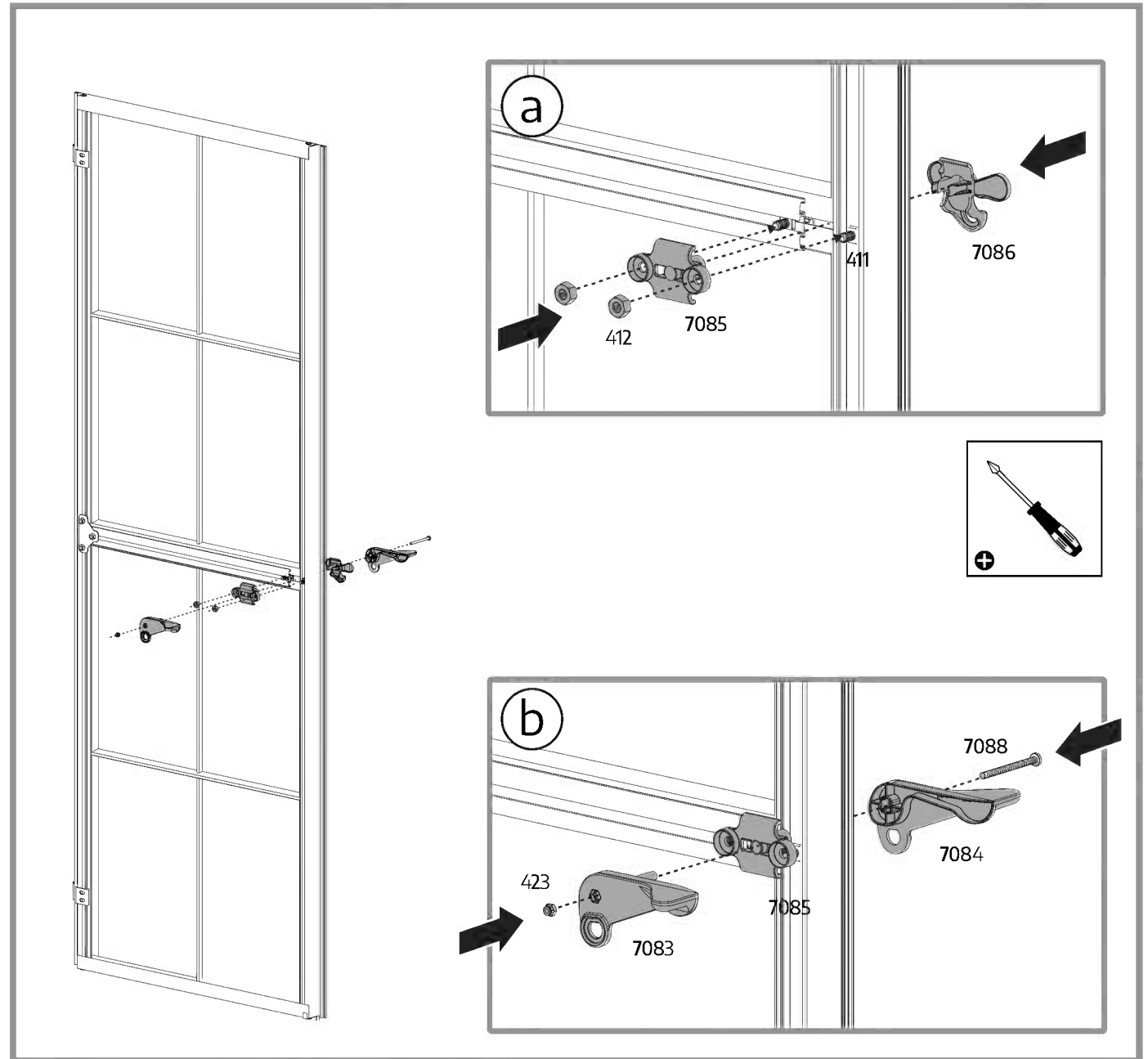


M4 x 50 mm

423 ..... 1



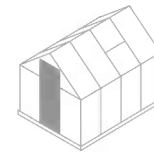
412 ..... 2





Determines door direction door post #7311 is where door hinges will be located **(Step 14)**.

Door assembly should be done according to this decision.



463 .....  ..... 2

180°

