



HOW TO ASSEMBLE

EMERALD | SOLACE | BREEZE
6x8 / 2x2.5

IMPORTANT!

Please read these instructions carefully before starting assembly.
Keep these instructions in a safe place for future reference.

www.primehort.co.nz



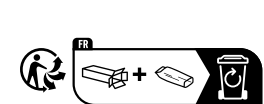
EMERALD



SOLACE

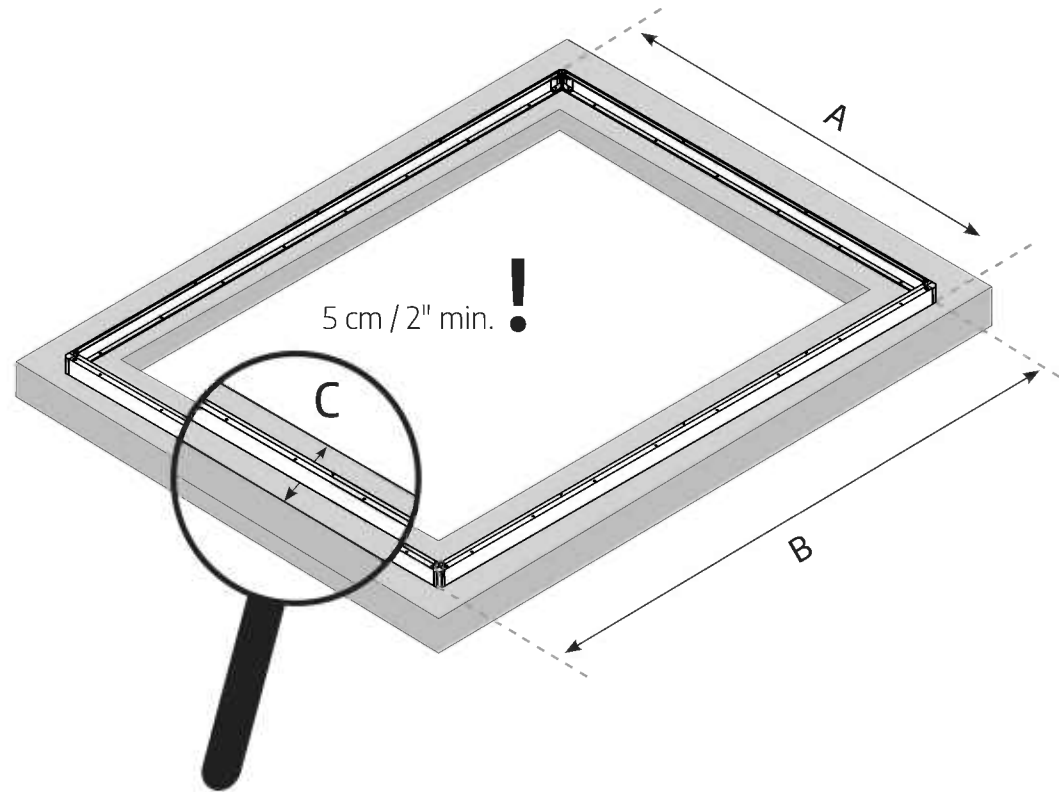


BREEZE

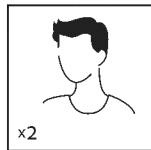


BASE DIMENSIONS EMERALD | SOLACE | BREEZE I

MODEL	6x8 / 2x2.5	
WIDTH	A	185 cm / 6'1"
LENGTH	B	246 cm / 8'1"
MIN. SPACE	C	5 cm / 2"



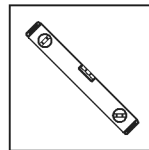
TOOLS & EQUIPMENT



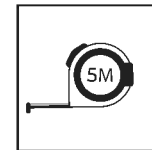
2 people needed



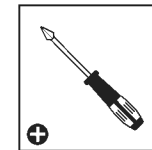
Work gloves



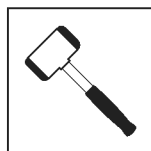
Spirit Level



Tape measure



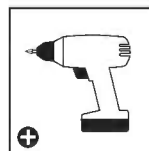
Phillips head
Screwdriver



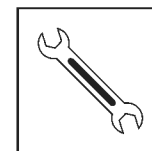
Rubber Mallet



Lubricant Spray



Cordless drill
Phillips head



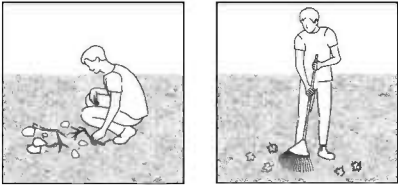
Wrench
10 mm | 3/8"

SITE PREPARATION & FOUNDATION

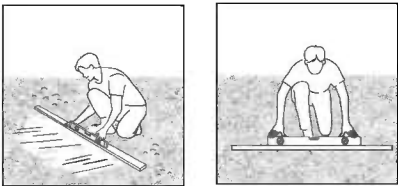
A - PREPARE THE SITE

The product must be positioned and fixed on a flat level surface.

1 - Clear the site



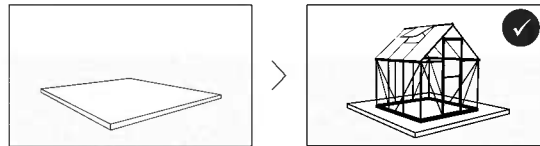
2 - Level the ground



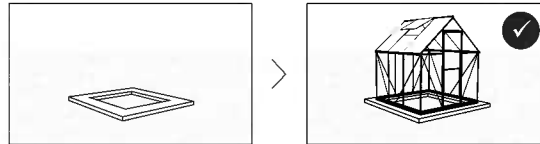
B - CHOOSE YOUR FOUNDATION TYPE

As a foundation, we recommend using three material types :
Concrete / Pressure treated wood / wood deck / Paver blocks

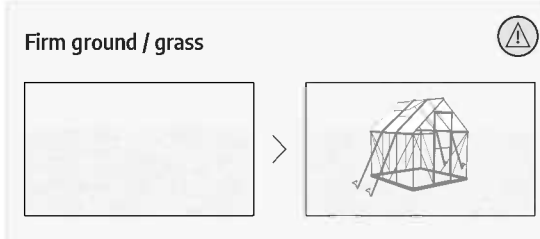
Option 1: Solid foundation



Option 2: Solid frame

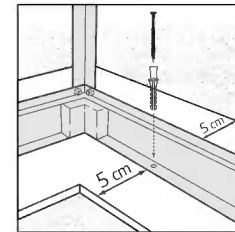
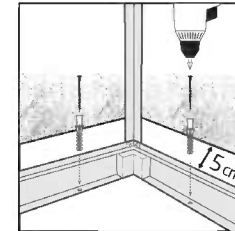


Firm ground / grass



C - ANCHOR TO FOUNDATION

1 - On a solid foundation / frame



Secure the product to the foundation of your choice using suitable screws & plugs or masonry anchors (not supplied).

Make sure you have at least 5 cm / 2" between the product base and the edges of your foundation - **on all sides**.

* Please consult with an expert regarding which fasteners are suitable for other surface types.

SAFETY ADVICE

- It is of utmost importance to assemble all of the parts according to the directions. Do not skip any steps.
- Always wear work gloves during panel sliding.
- Always wear shoes and safety goggles when working with extruded aluminium.
- If using a step ladder or power tools make sure that you follow the manufacturer's safety advice.
- Do not touch overhead power cables with the aluminium profiles.
- Do not attempt to assemble the product in windy or wet conditions.
- Do not climb or stand on the roof.
- Dispose of all plastic bags. Keep them out of reach of small children.
- Keep children away from the assembly area.
- Do not lean against or push the products during construction.
- Do not position your product in an area exposed to excessive winds.
- Do not attempt to assemble this product if you are tired, have taken drugs or alcohol or if you are prone to dizzy spells.
- Hot items such as recently used grills, blowtorches etc. must not be stored in the product.
- Make sure there are no hidden pipes or cables in the ground before anchoring to foundation.
- Keep roof and gutters clear of snow, dirt & leaves.
- In strong winds, all openings and the door should be closed. Greenhouse roofs should be cleared of snow in good time so that no dangerous snow load can occur.
- This product is designed to be used mainly as a greenhouse.
- **⚠ Make sure to anchor the product directly to a solid foundation to increase the product's stability and wind resistance in areas with severe weather conditions. Make sure that there are no obstructions between the assembly area and the final position of the product. The Canopia Anchoring kit is available for purchase separately.**

CARE & MAINTENANCE

- When your product needs to be cleaned, use a soft cloth and rinse with cold clean water.
- DO NOT use acetone, abrasive cleaners or other special detergents to clean the panels.
- Clean the product once assembly is complete.

BEFORE ASSEMBLY

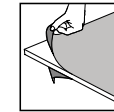
- Selecting a site:
 - Choose your site carefully before beginning assembly.
 - Choose a sunny position away from overhanging trees.
 - The product must be positioned and fixed on a flat level surface.
- The product must be secured directly to a solid foundation.
- This is a multi-part assembly best achieved by two people. Allow at least half a day for the assembly process.
- Take all components & parts out of the packages. Sort the parts and check against the content parts list.
- Parts should be laid out close at hand. Keep all small parts (screws etc.) in a bowl so they do not get lost.
- Please note multi-sided profiles are used in this product. As a result some holes in the profiles are not used during assembly.
- Please review entire instructions before starting. Carry out the assembly steps in exact order.
- Please consult your local authorities if any permits are required prior to constructing the product.
- Please ensure you have sufficient side space for inserting the roof panels during the assembly process.

IMPORTANT!

- **Firmly connect the product to a level surface immediately after completion of the assembly.**
 - **Anchoring this product to the ground is essential to its stability and rigidity. It is required to complete this stage in order for your warranty to be valid.**
 - **During assembly use a soft surface below the parts to avoid scratches and damages.**
 - **We recommend checking for restrictions or covenants for building this product in your area.**
- In addition we advise to check if you need to submit any forms or if any permit is required prior to building the product.

DURING ASSEMBLY

During assembly, you will encounter different icons for different products. Please see below for more information:



Make sure you remove covering plastic film from both sides of the panel.



All panels with the stamped words "THIS SIDE OUT" must be facing out to create full UV protection. Remove plastic sticker as panels are locked in place.



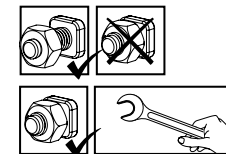
This icon indicates that the installer should be inside the product.



This icon indicates that the installer should be outside the product.



Steps marked with dashed outlines refer to Extensions only. Some of the steps are irrelevant for an assembly of a single product. When assembling a single or an extended product, some parts may be surplus.



These 2 icons below indicate if screw's tightening is required or not.

Temporary tightening of a few screws may be needed to prevent a profile from sliding out. Tighten all screws once assembly is completed.

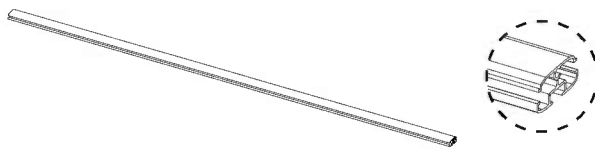
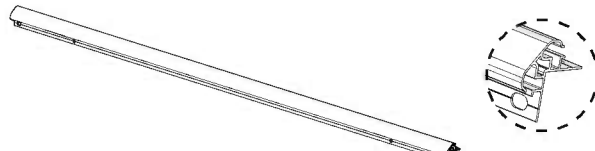
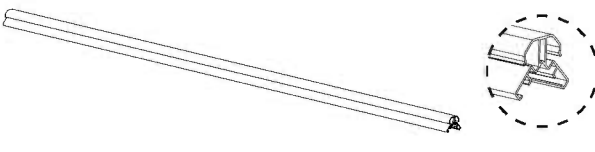


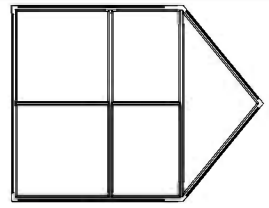
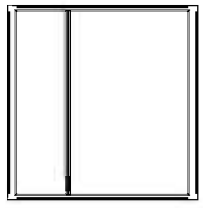
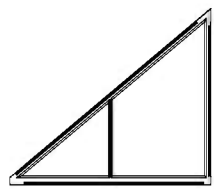
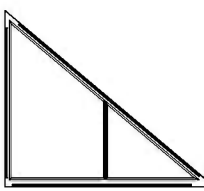
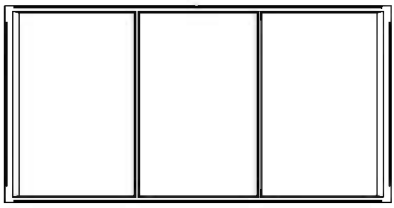
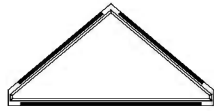
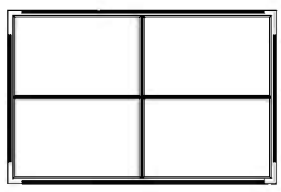
IMPORTANT ASSEMBLY STEPS

When encountering this information icon during assembly, please refer the relevant assembly step for important additional comments.

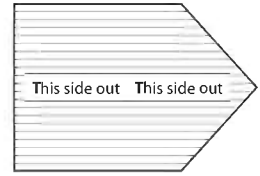

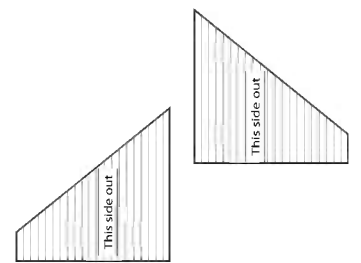
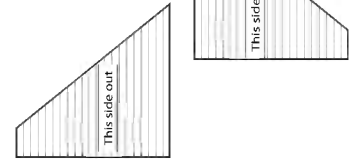
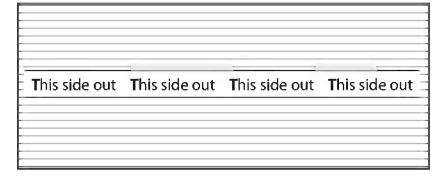
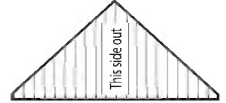
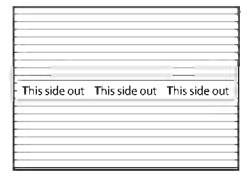
- Step 5:** Parts #994 & #995 are in the back of the greenhouse. Attaching them determines the front side of the greenhouse.
- Steps 8, 11:** The oval hole in the crossbars #256 should always be assembled to the base of the greenhouse.
- Step 9:** **Door Assembly:** Determines door direction. Part #987 is the side that the door hinges will be located. The door can be installed either as a left or right hand door. instructions show a right hand door assembly.
- Steps 14, 21, 22, 24, 33, 37, 41, 48:** **Harmony / Hybrid / Mythos - panels:** **Please Note!** Each of the 3 greenhouses come with its compatible panels kit as shown in the content list and in the relevant assembly steps.
- Step 30:** **Window Assembly:** Decide on the window's location before assembly. Window can be installed in one of the indicated options.
- Step 46:** In case the window doesn't closed properly, please release the screws, adjust the profile and tighten the screw.

Contents

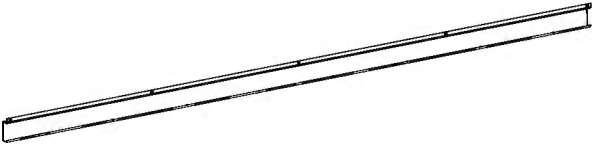

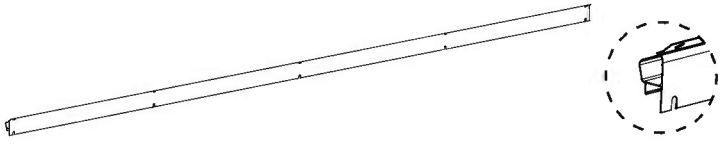
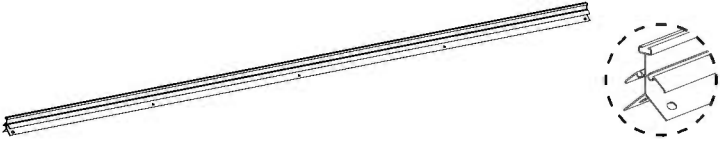
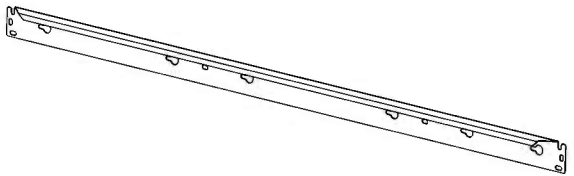
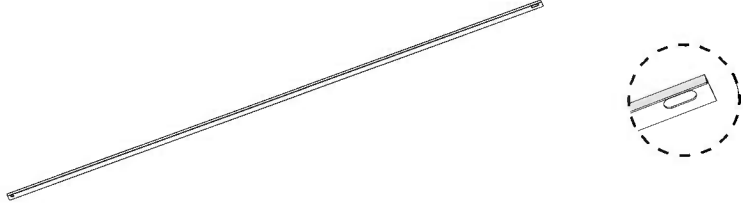
Item		Qty.
993		12
996		4
9802		4

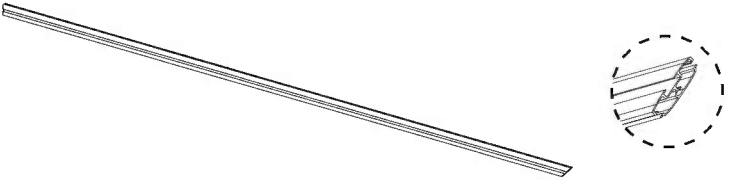
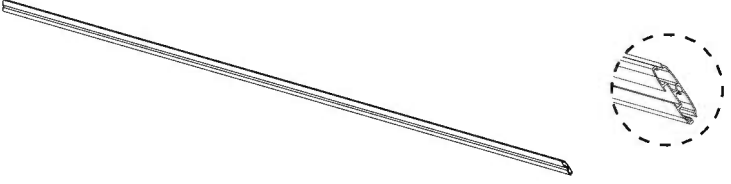
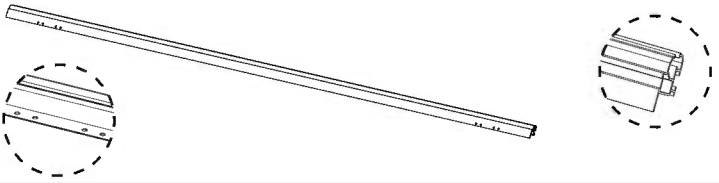
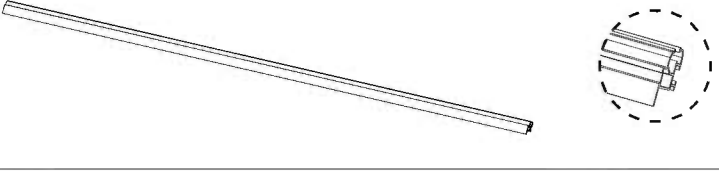
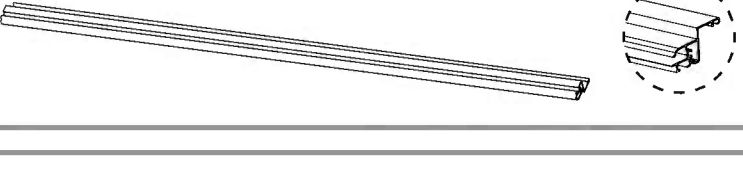


Item		Qty.
553		1
7010		2
559		2
560		2
7011		20
570		1
567		2

OR


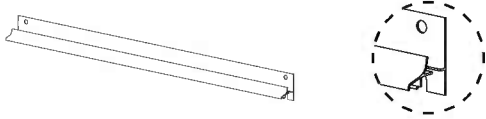
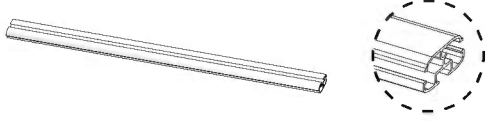
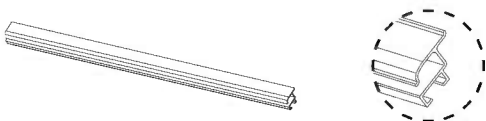
Item		Qty.
585		1
586		2
584		2
583		2
581		20
588		1
582		2

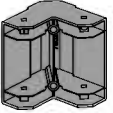

Contents




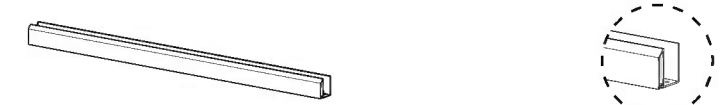


Item		Qty.
9950		2
9949		2
997		2
998		1
287		1
256		8


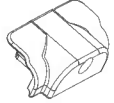

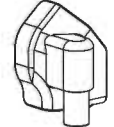
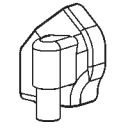
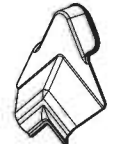

Item		Qty.
994		1
995		1
987		1
988		1
985		2
3017		2
3016		1

Contents

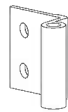
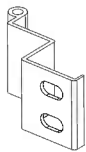

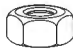
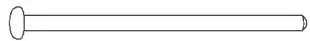
Item		Qty.
999		5
986		1
983		1
990		1






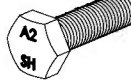


7602		4
318		15 (+1)

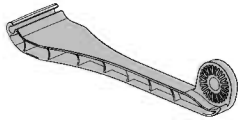
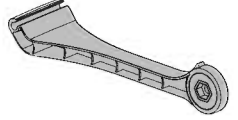



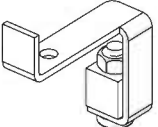
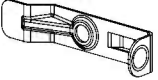
Item		Qty.
989		1
991		1
992		2
984		2
981		8
8549		2

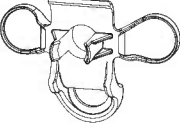
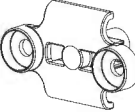
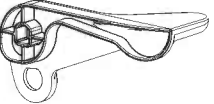
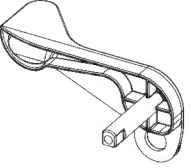


Item		Qty.
7009		2 (+1)
329		6
328		26 (+4)
344 L		2
344 R		2
343		2
8710		3

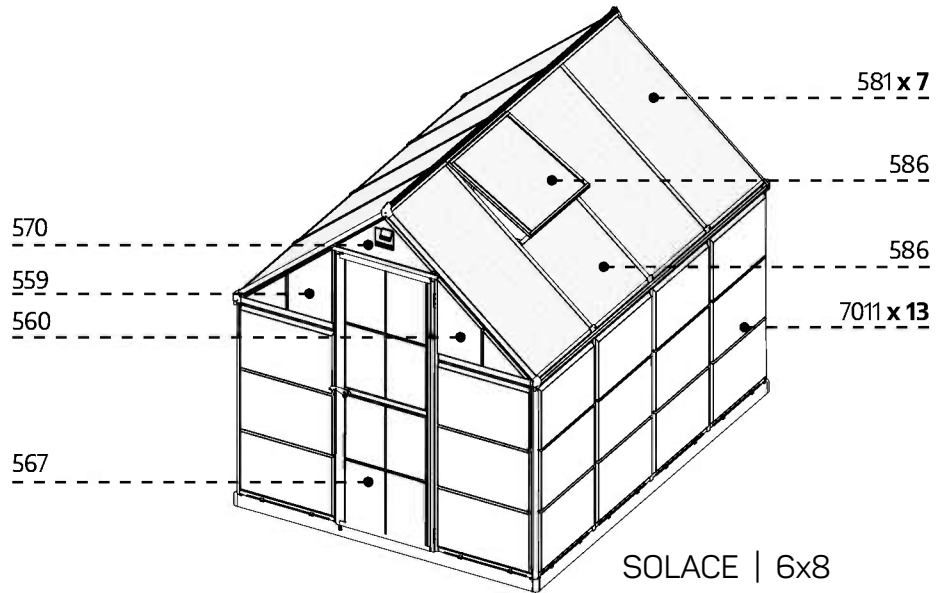
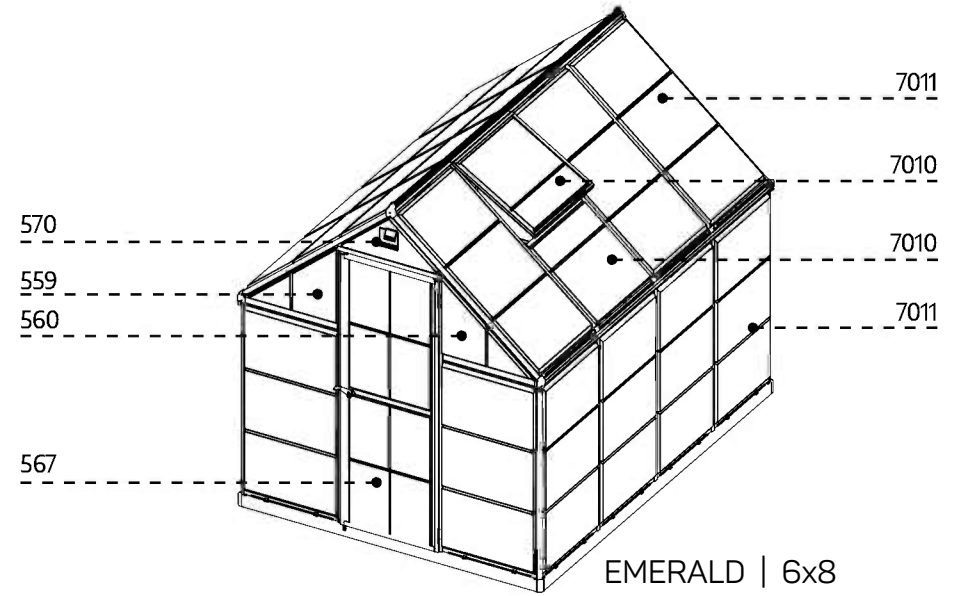
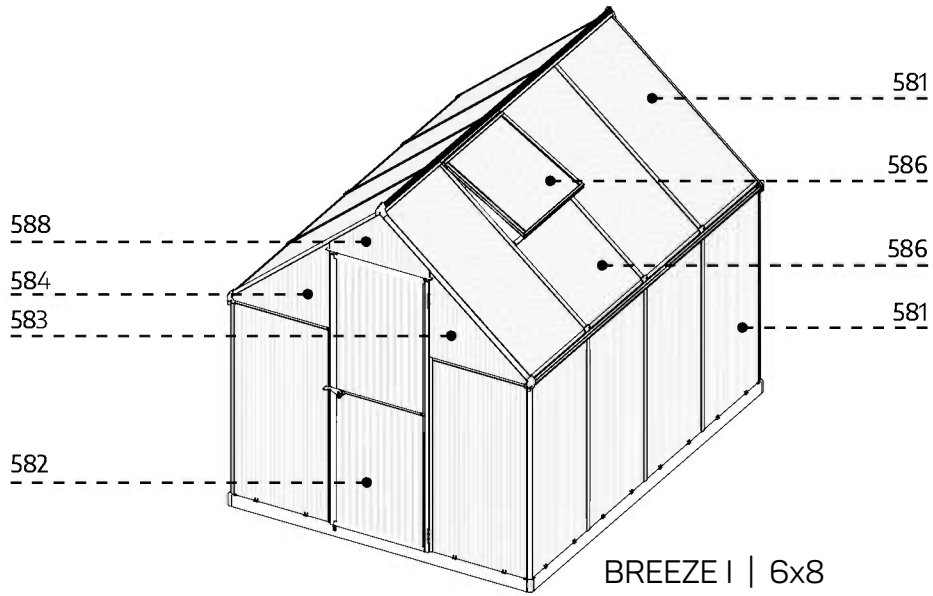
Contents

Item		
464		4
462		2
465		8 (+1)
422		8 (+1)
463		2

Item		Qty.
411		107 (+5)
412		104 (+8)
4008		8 (+1)
7442		20 (+2)
4043		6 (+3)
410		1
4044		2
466		2

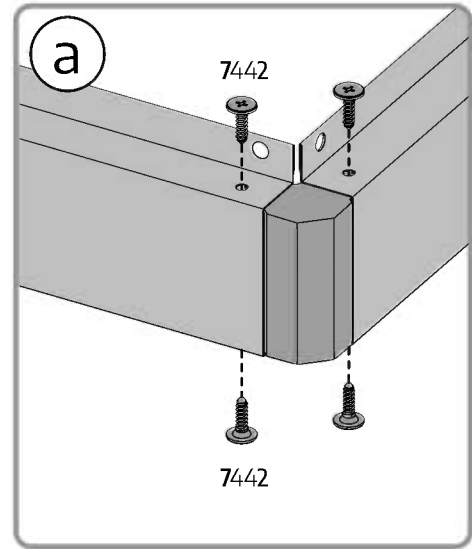
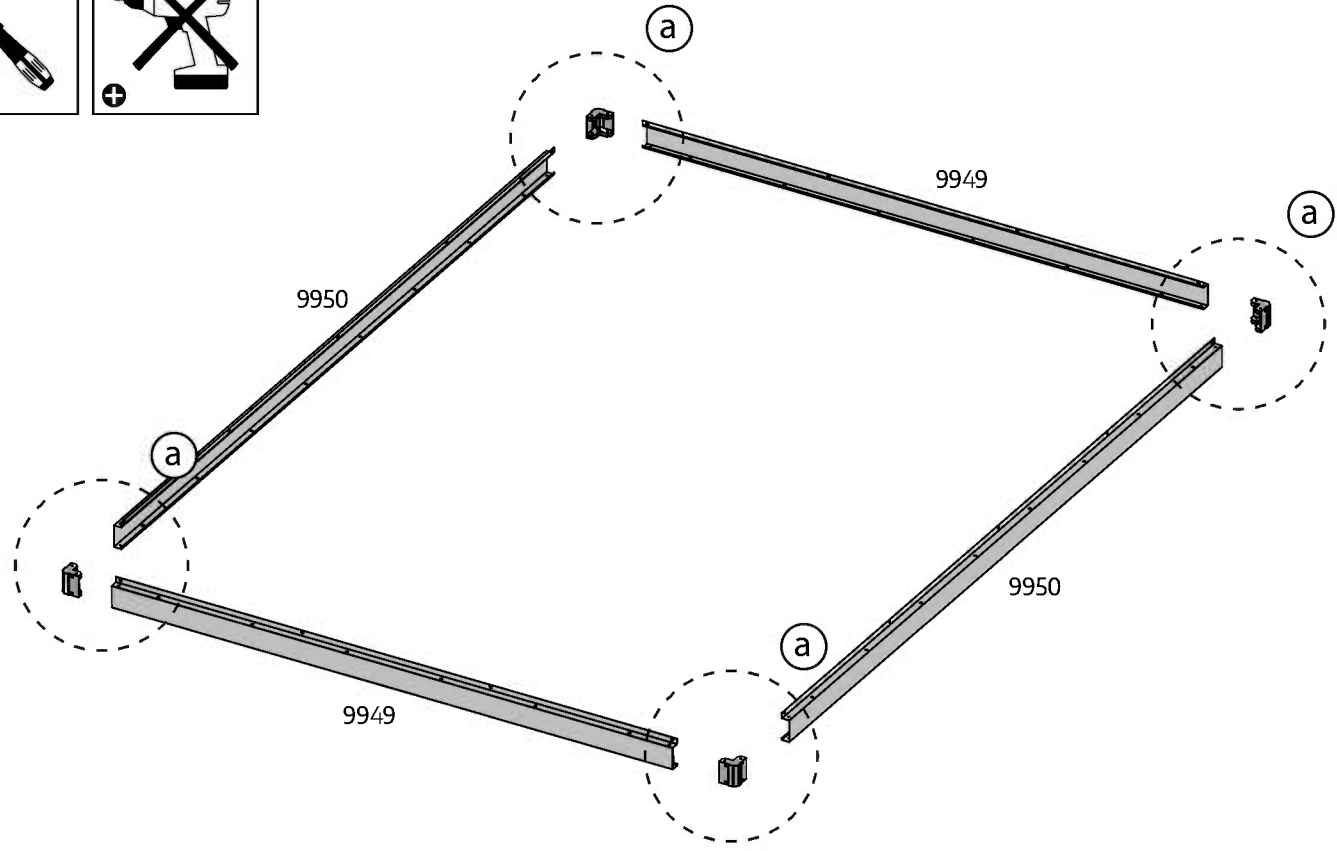
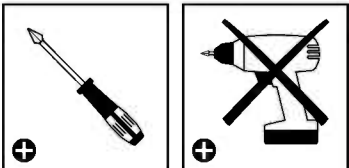
Item		Qty.
8797		1
8798		1
8801		1
8799		1
8800		1
4037		1
9953		2

Item		Qty.
7086		1
7085		1
7084		1
7083		1
7088	 M4 x 50 mm	1
423		1

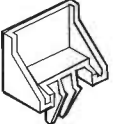


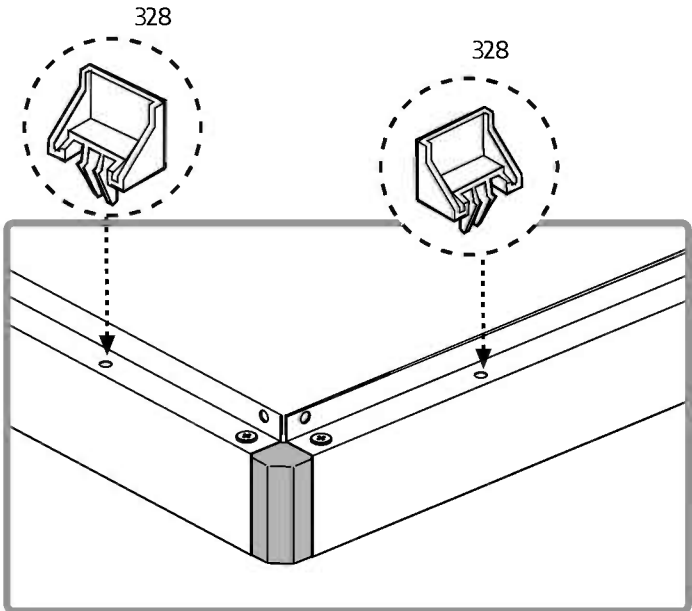
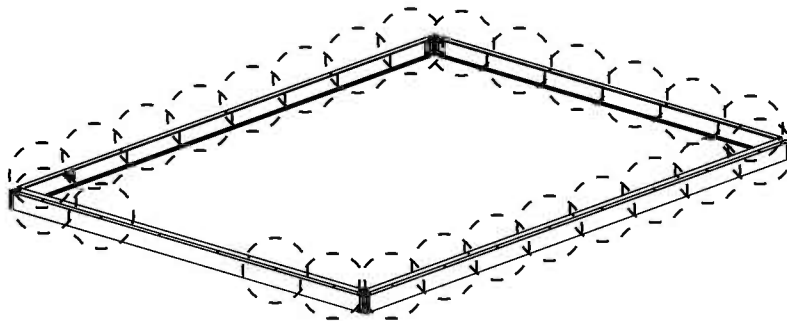
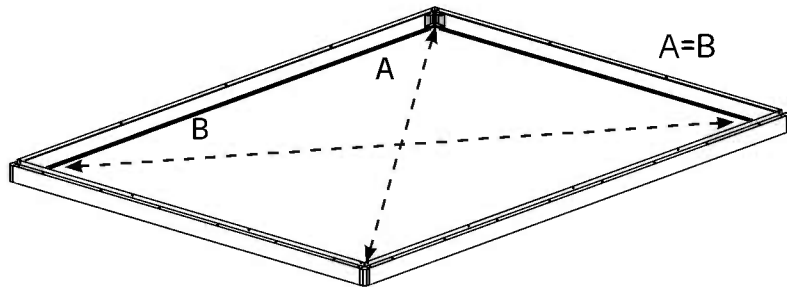
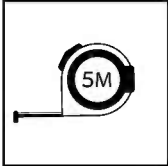
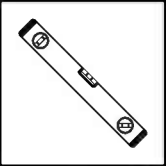


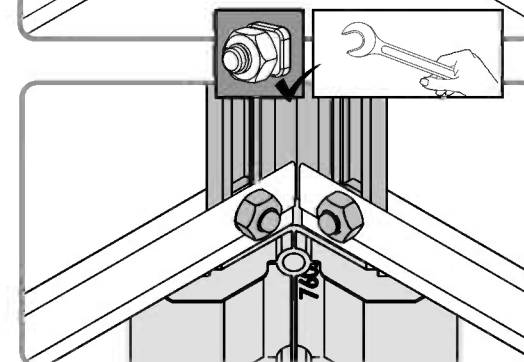
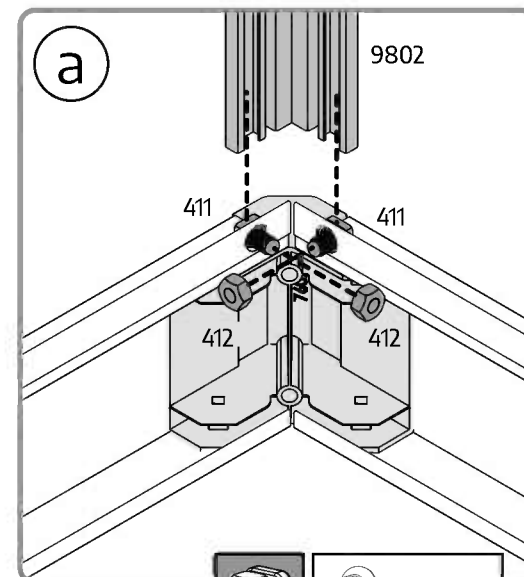
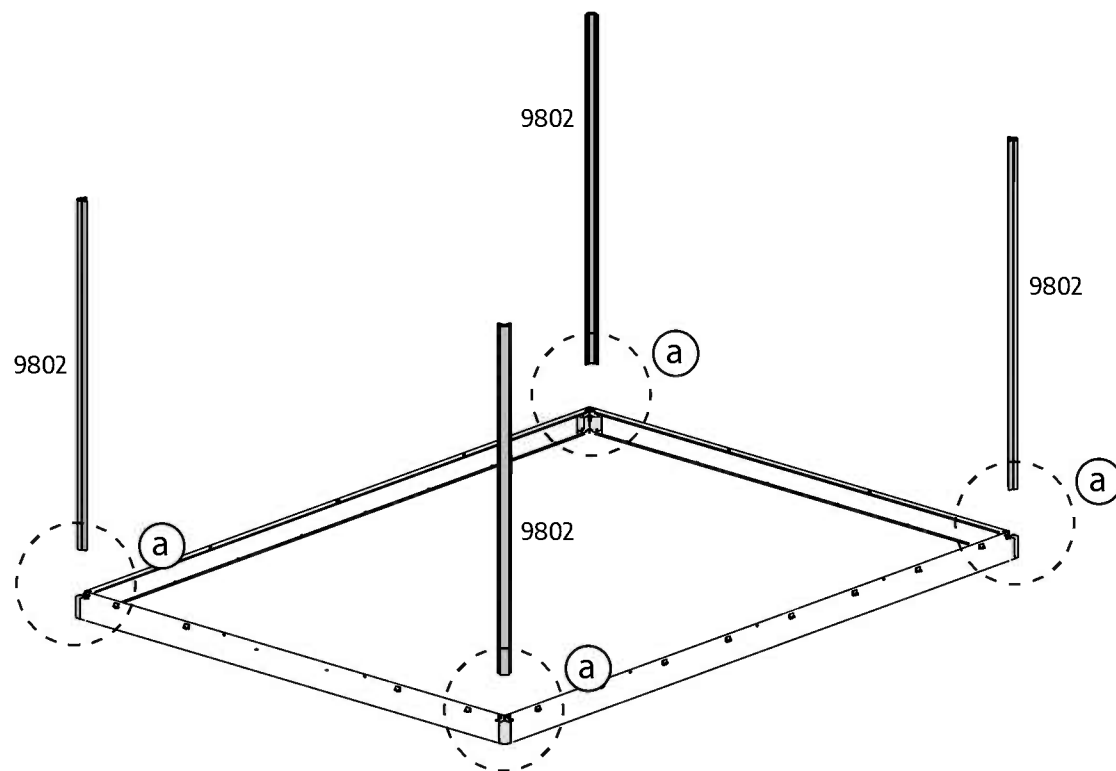
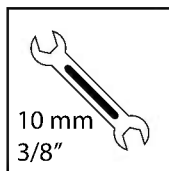
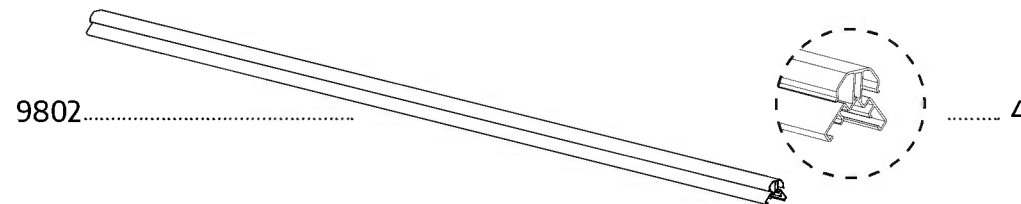
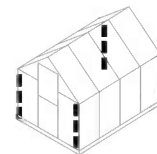
- 9949 2
- 9950 2
- 7602 4
- 7442 16






328  26

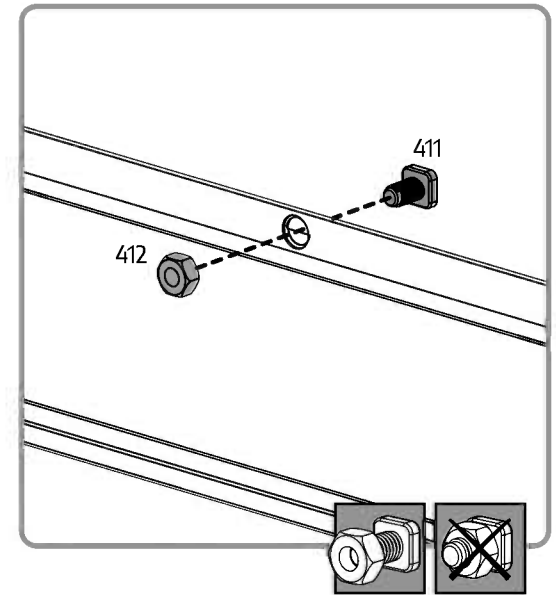
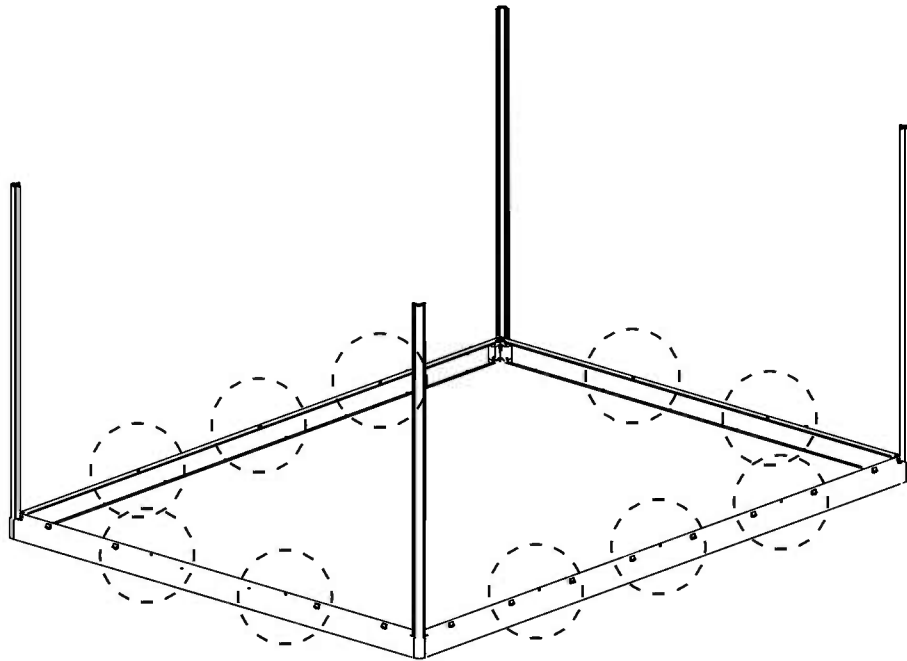






411 10

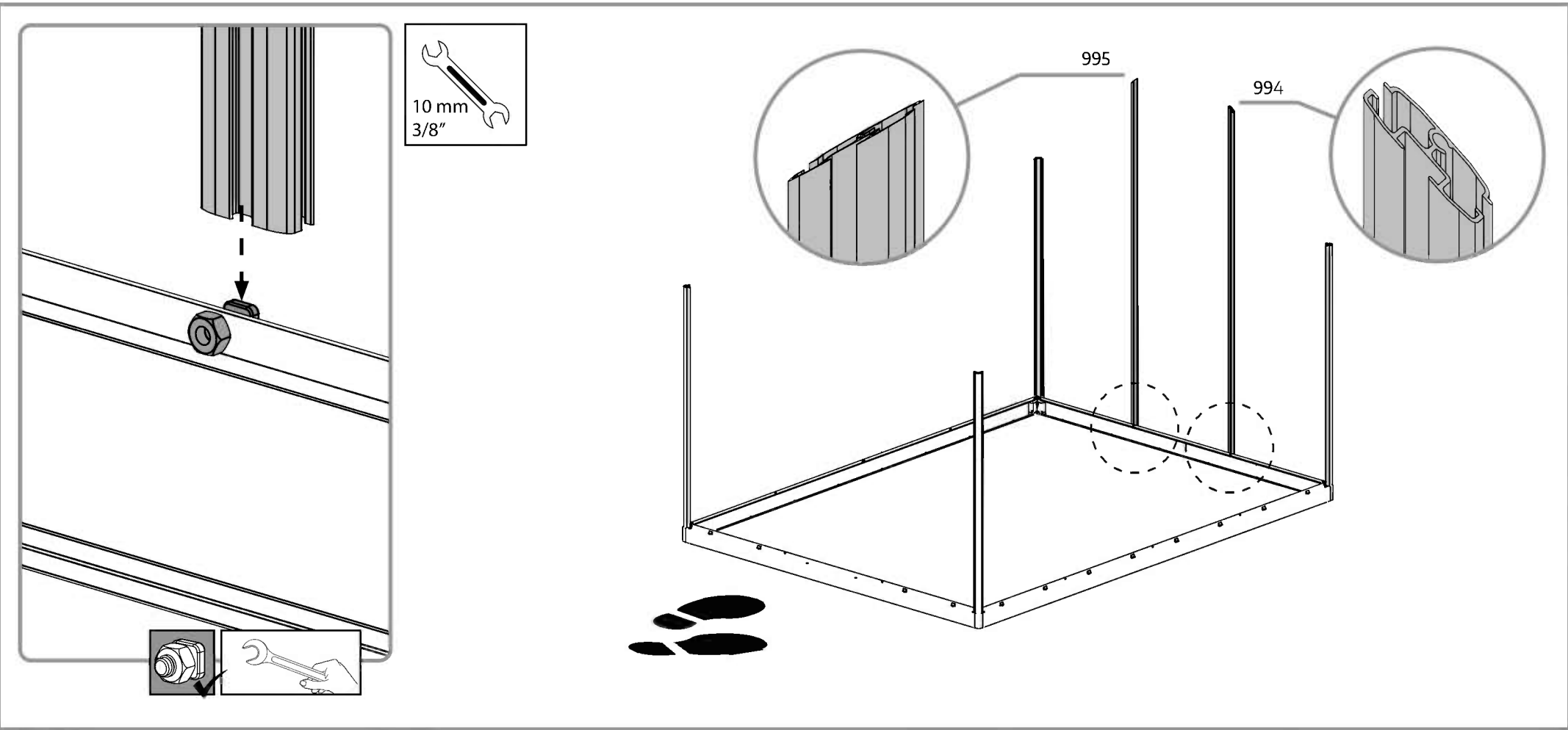
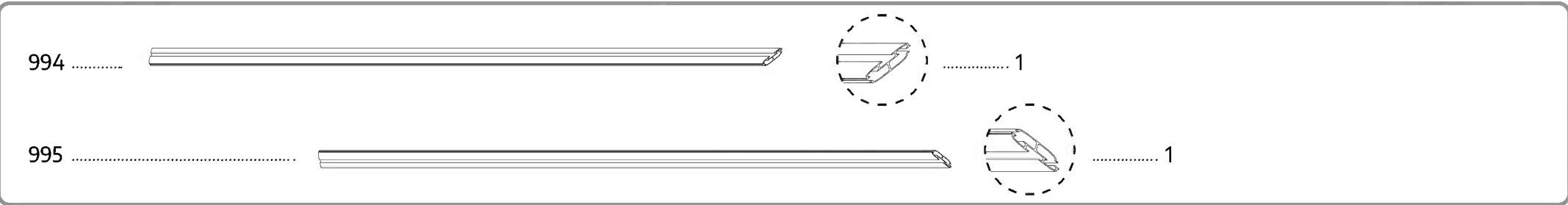
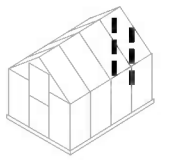
412 10

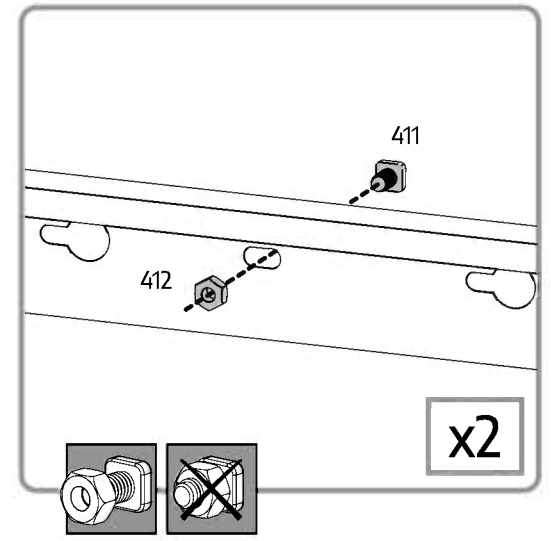
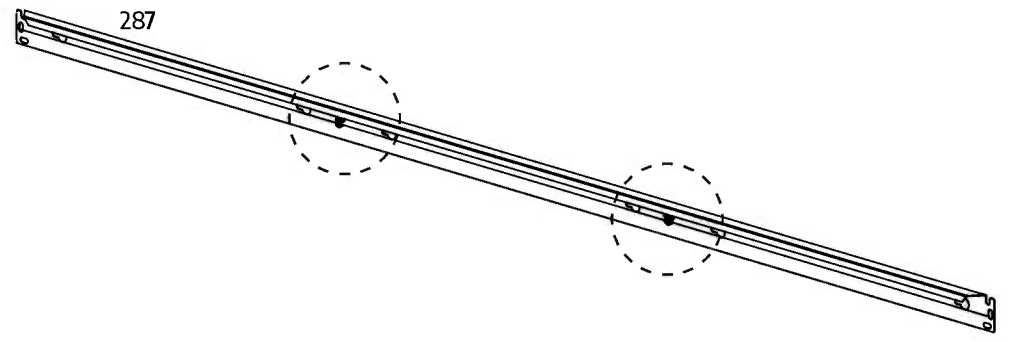
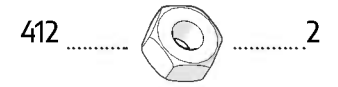
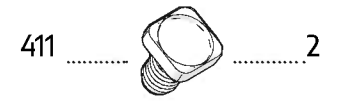
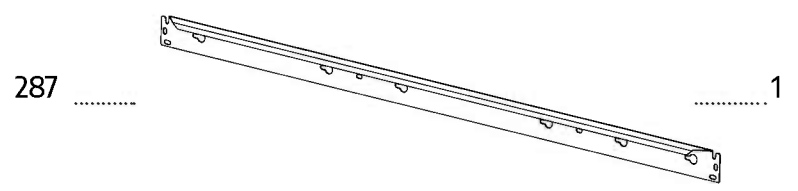
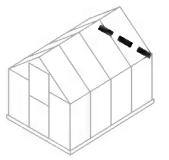


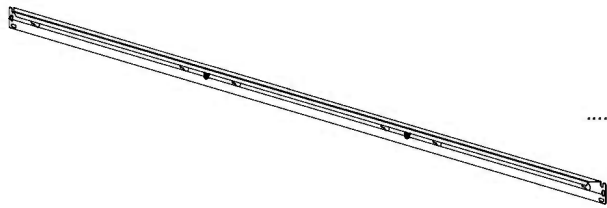
5



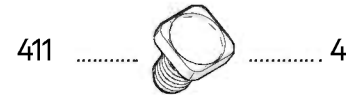
Parts 994 & 995 are in the back of the greenhouse.
Attaching them determines the front side of the greenhouse.





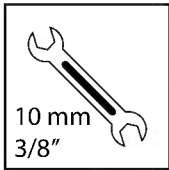


..... 1

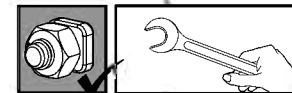
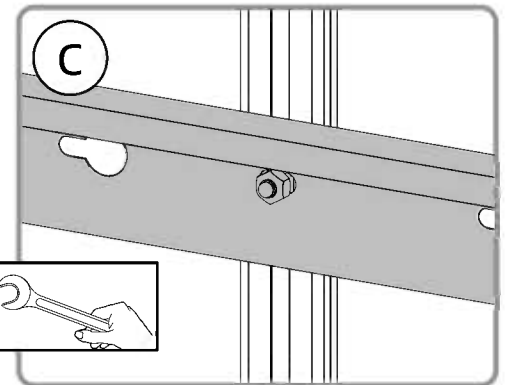
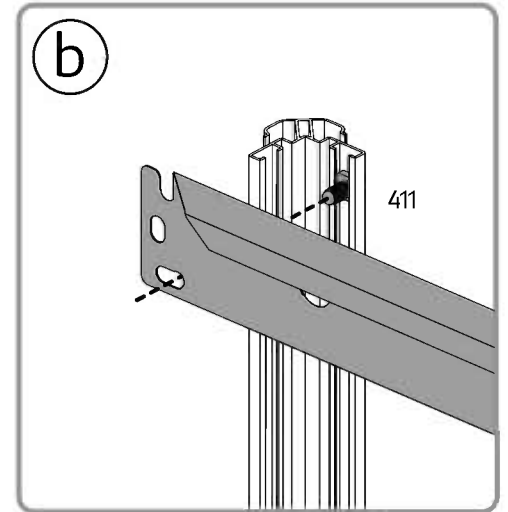
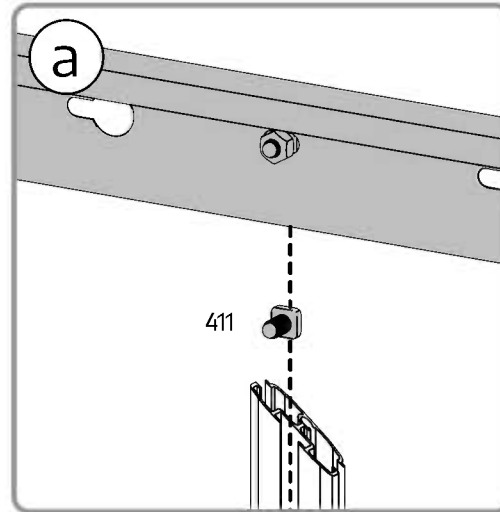
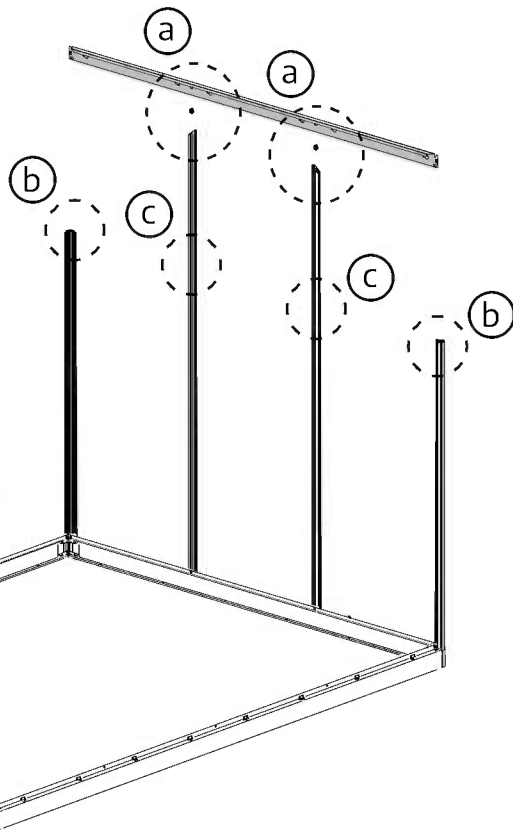


411

..... 4



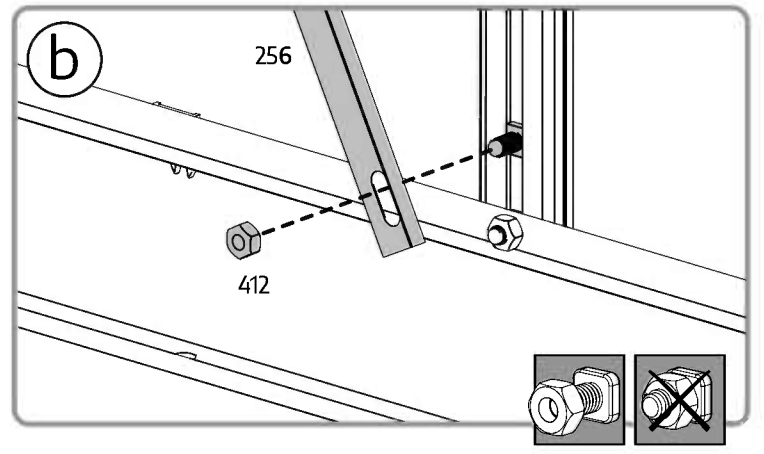
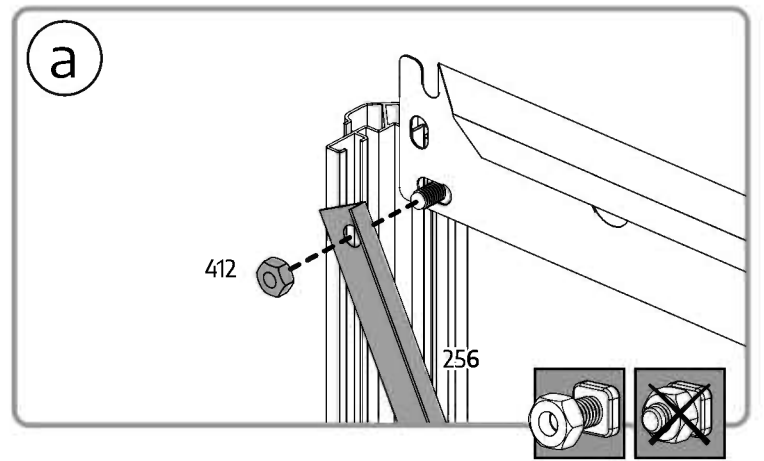
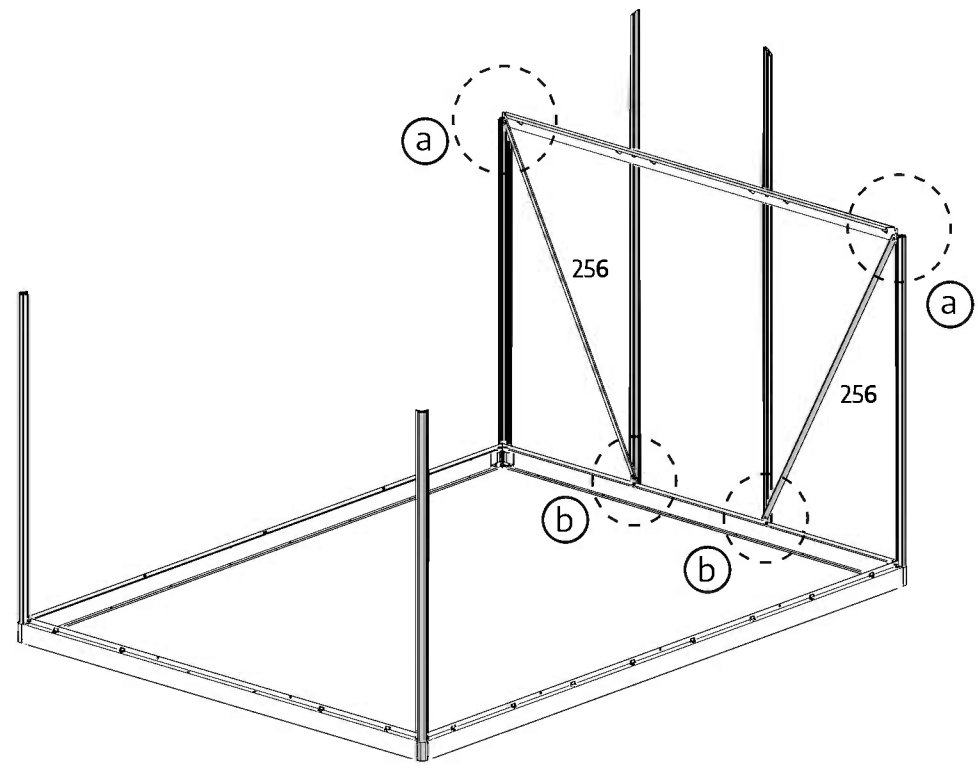
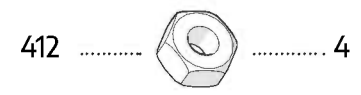
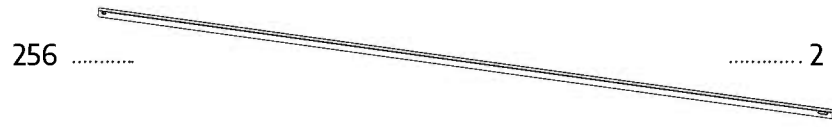
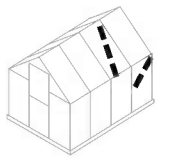
10 mm
3/8"



8



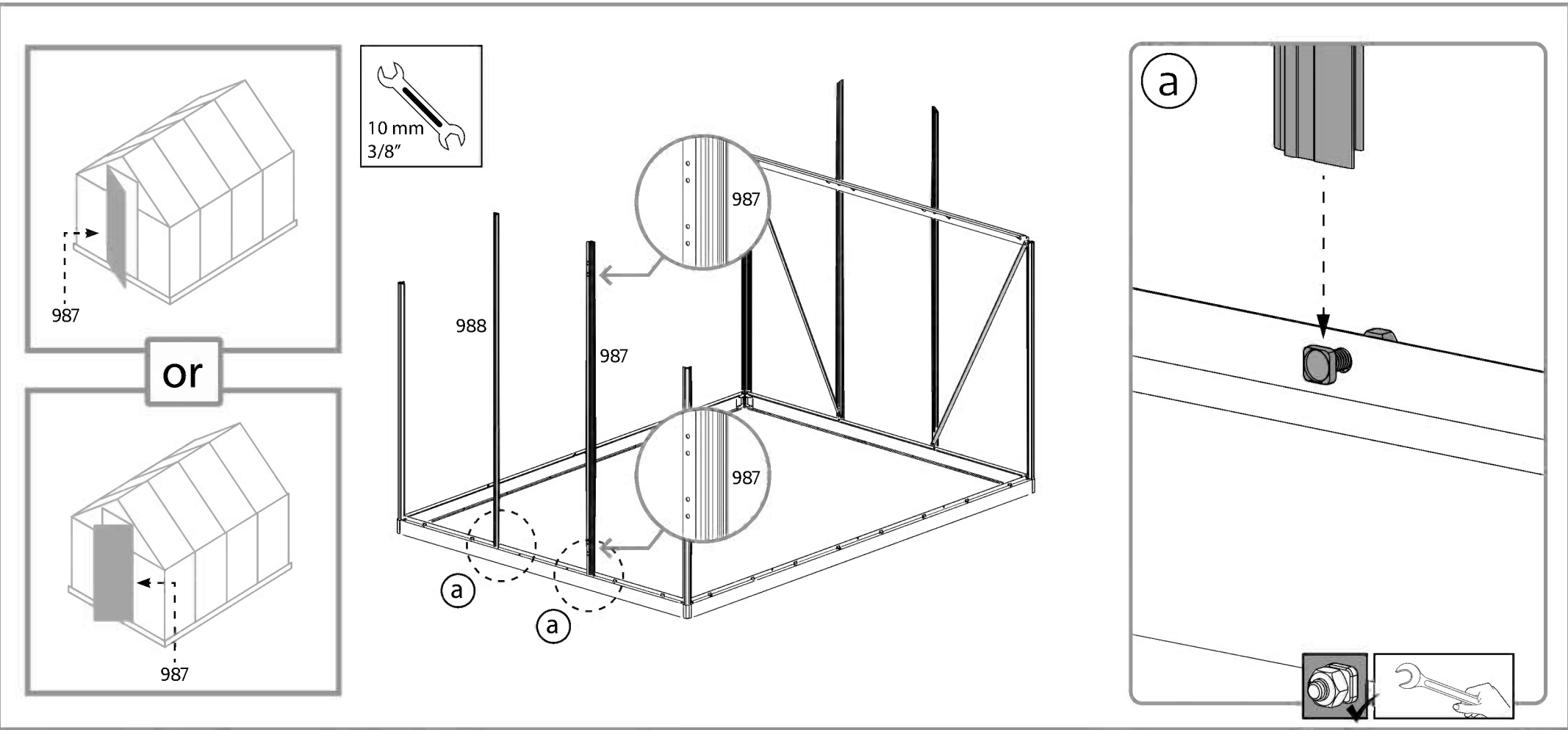
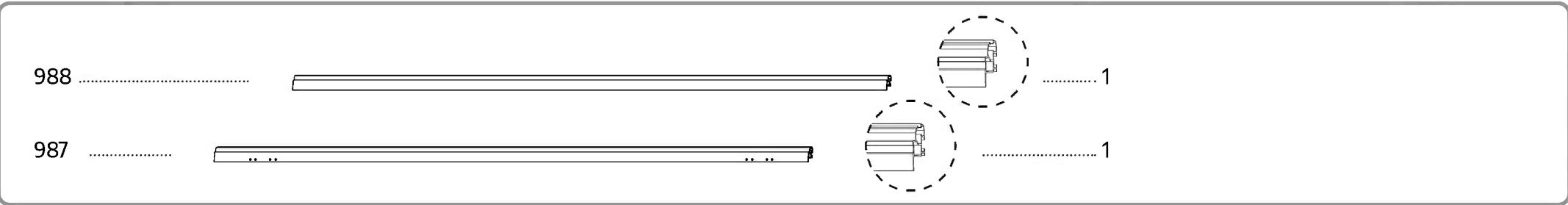
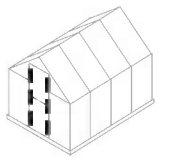
The oval hole in the crossbars 256 should always be assembled to the base of the greenhouse.

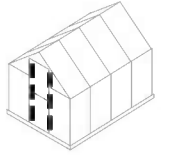


9

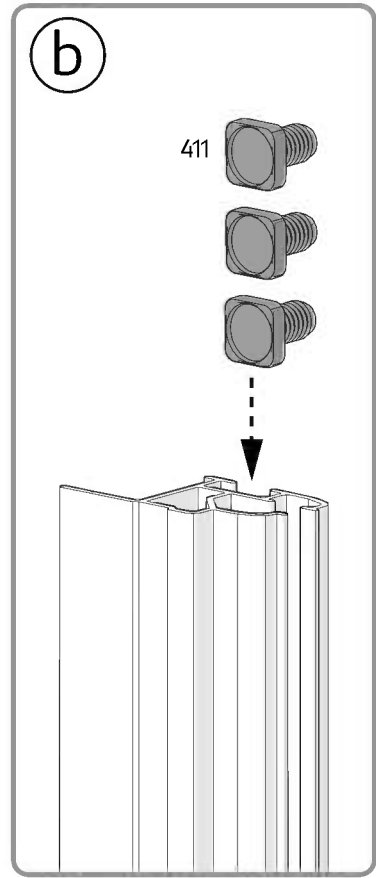
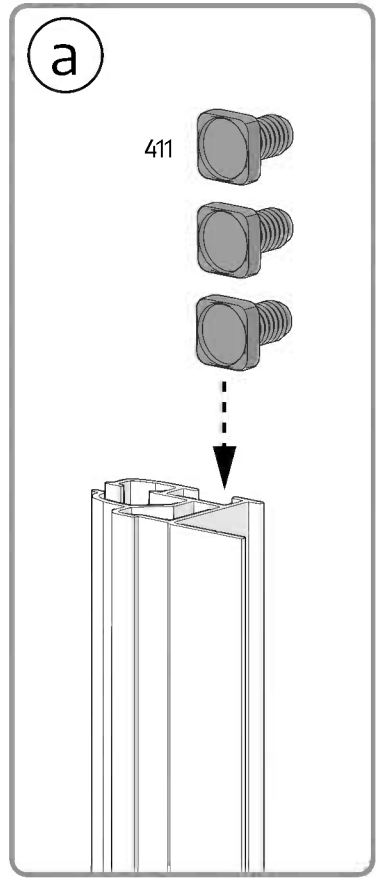
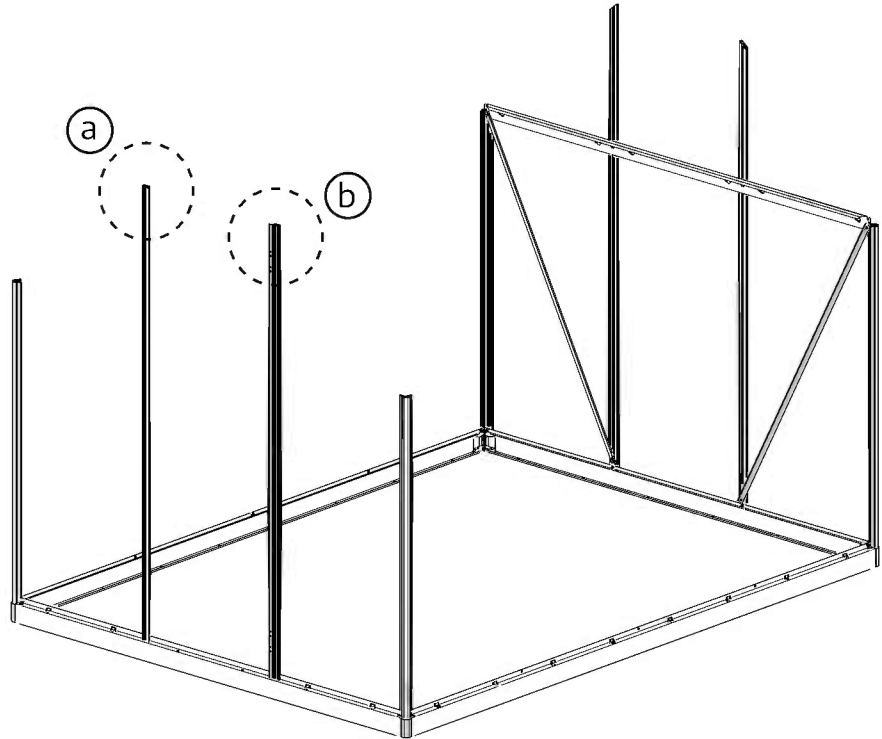


Part 987 is the side that the door hinges will be located.
The door can be installed either as a left or right hand door. These instructions show a right hand door assembly.



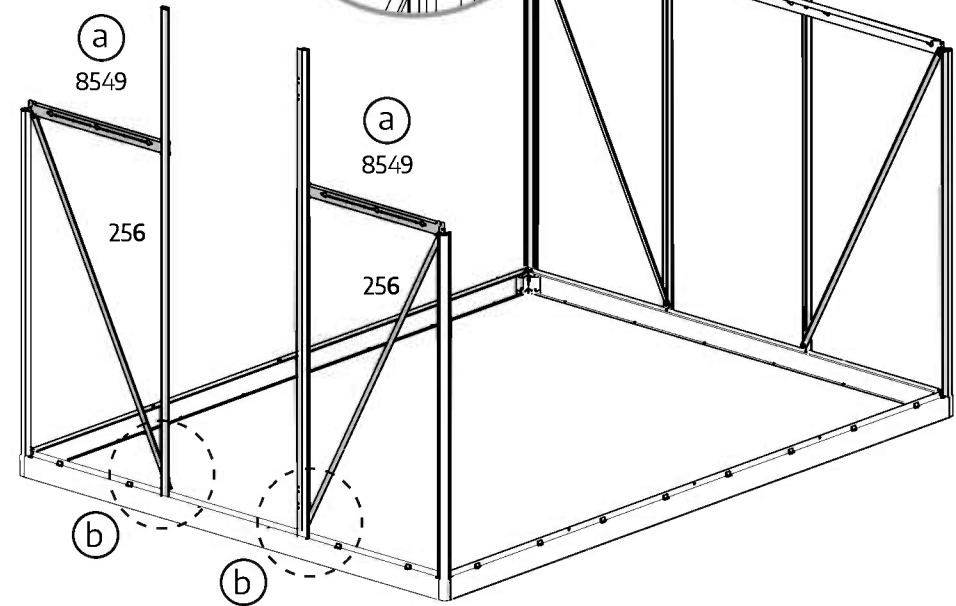
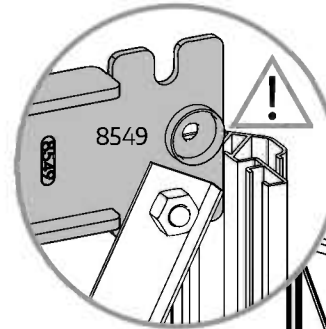
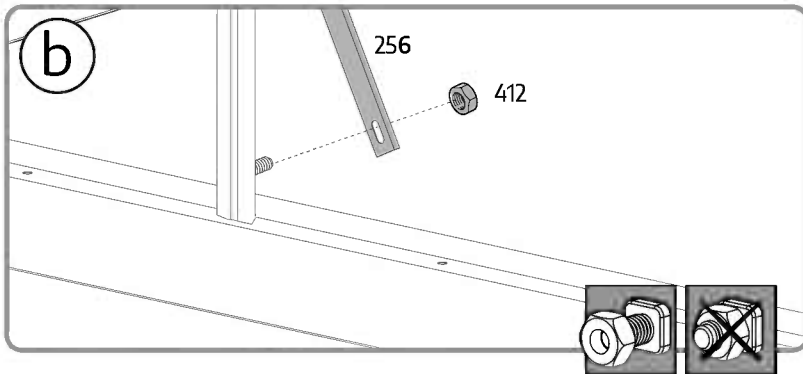
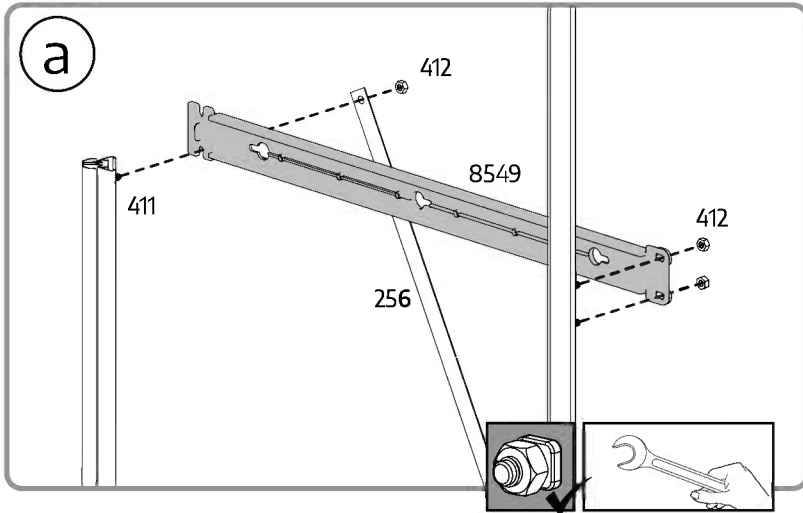
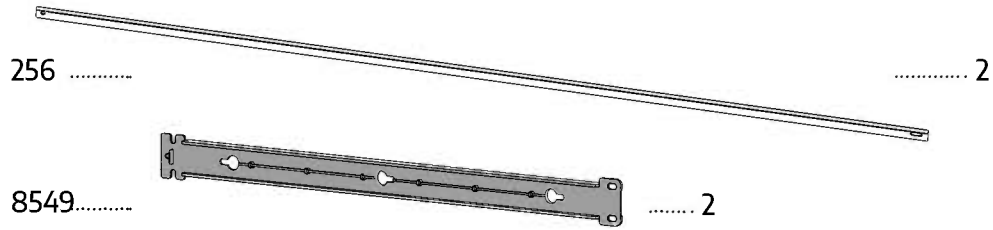
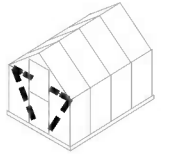


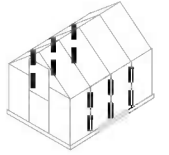
411  6



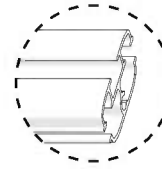


The oval hole in the crossbars 256 should always be assembled to the base of the greenhouse.

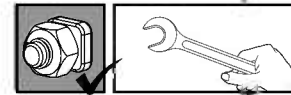
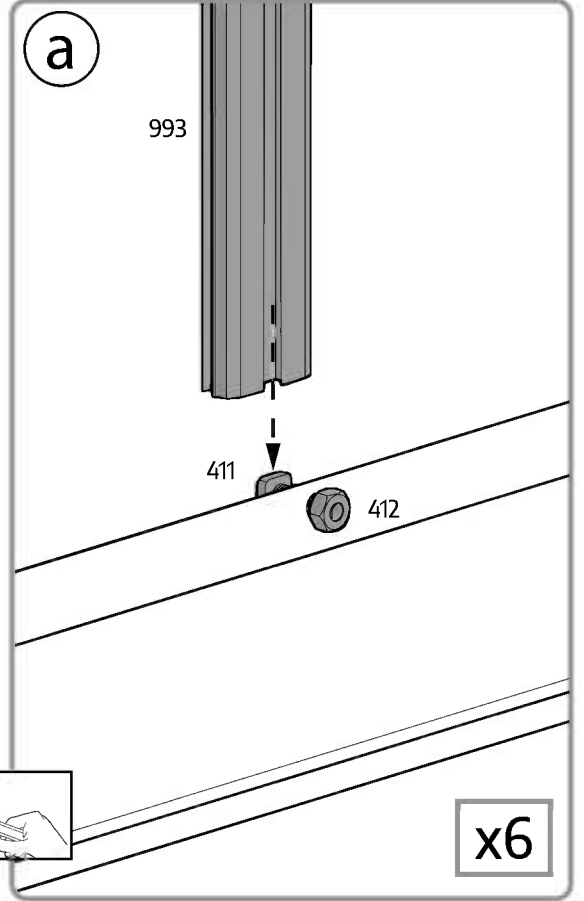
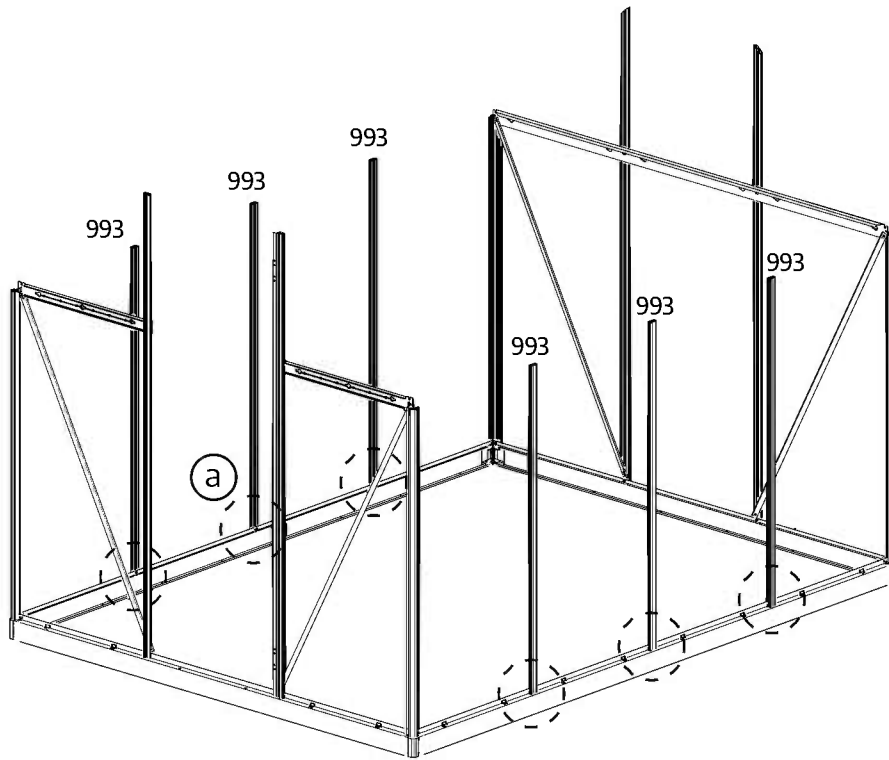
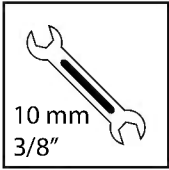




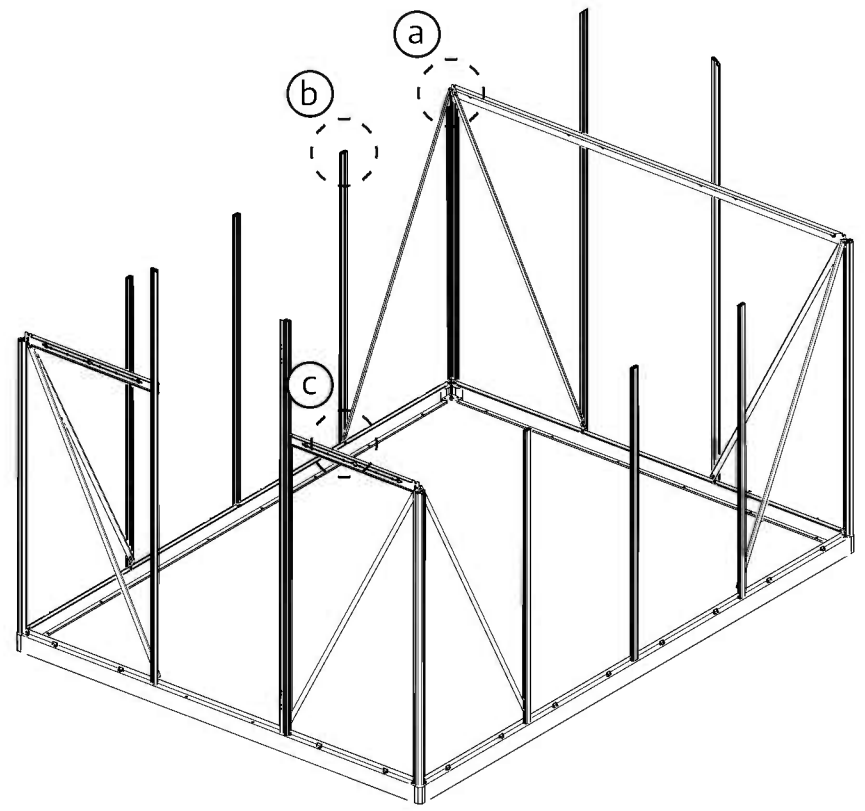
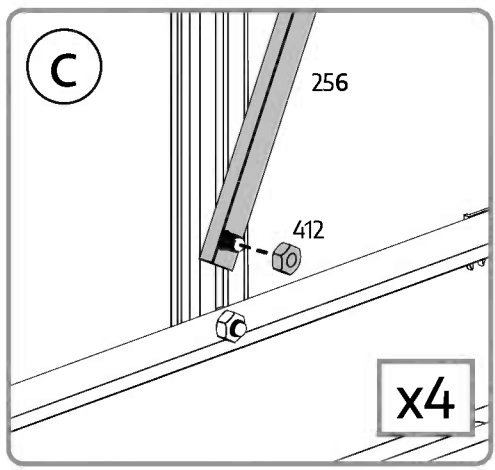
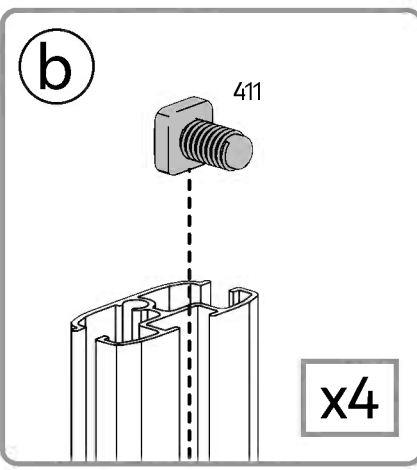
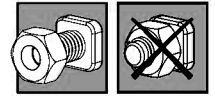
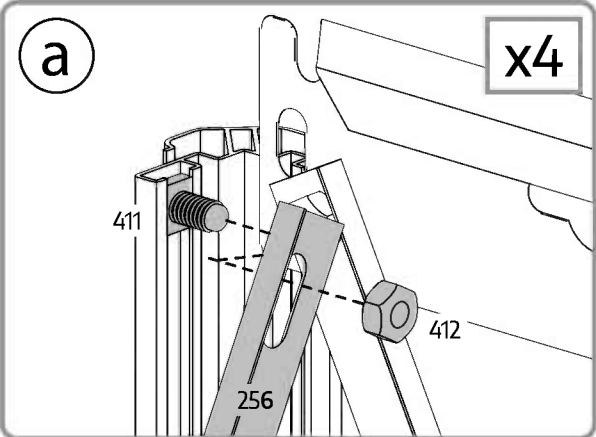
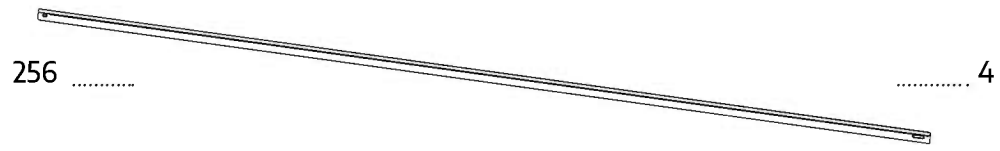
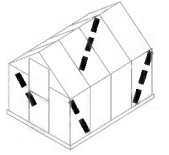
993



..... 6

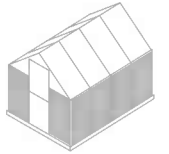


x6

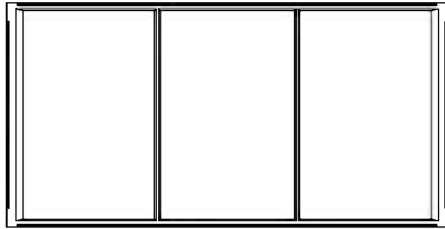




Please Note! Each of the 3 greenhouses come with its compatible panels kit as shown in the content list and in the relevant assembly steps.



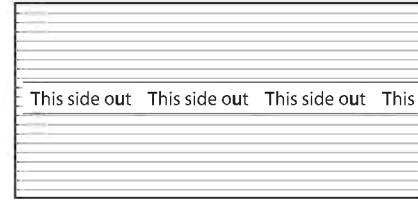
7011



..... 13

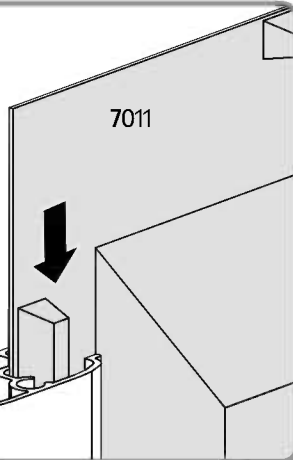
OR

581

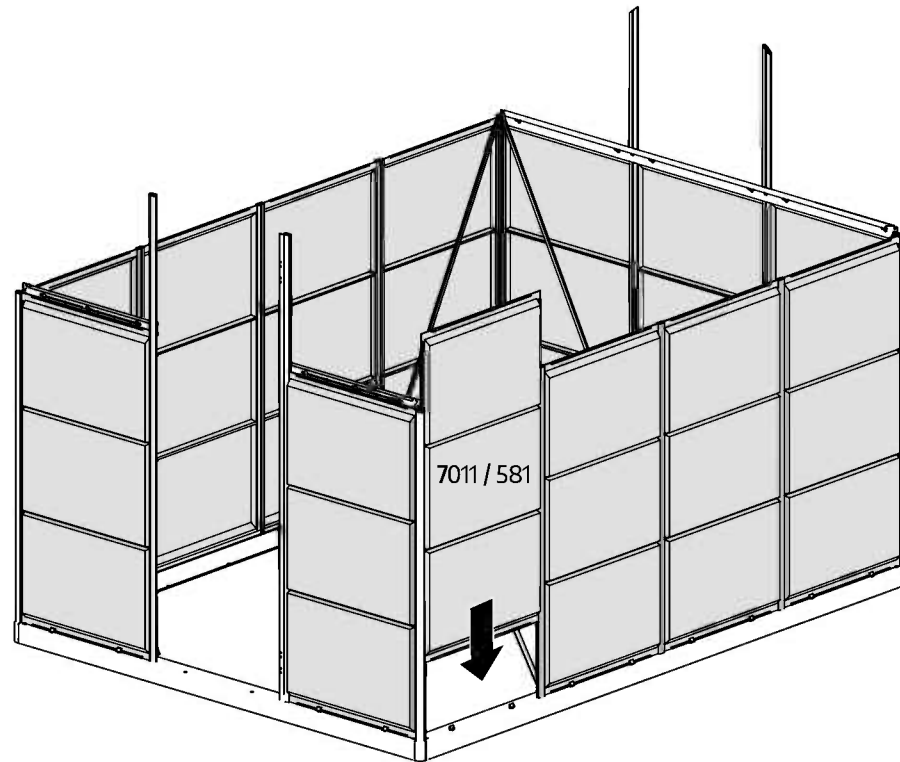
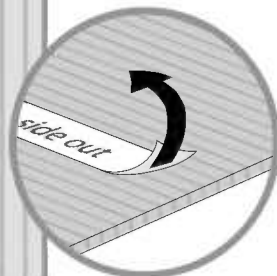
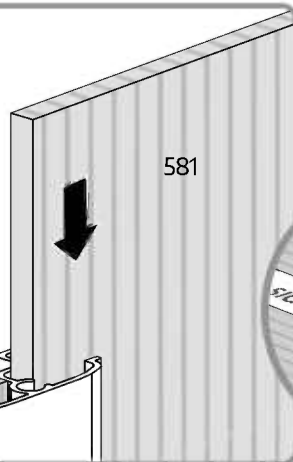


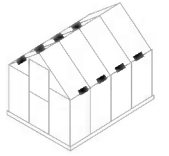
This side out This side out This side out This s 13

EMERALD | 6x8
SOLACE | 6x8



BREEZE I | 6x8

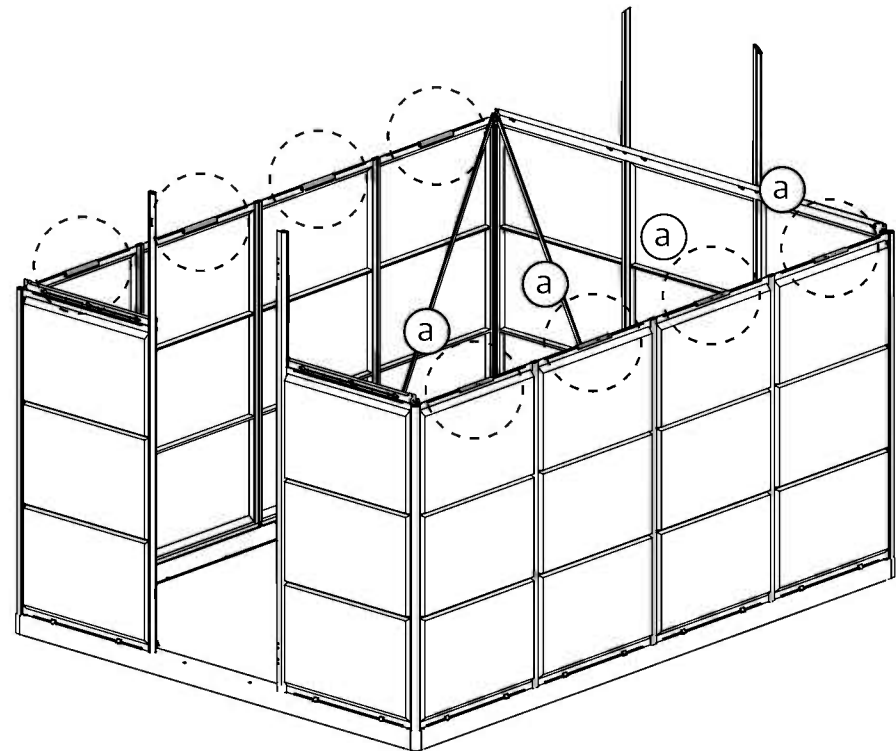
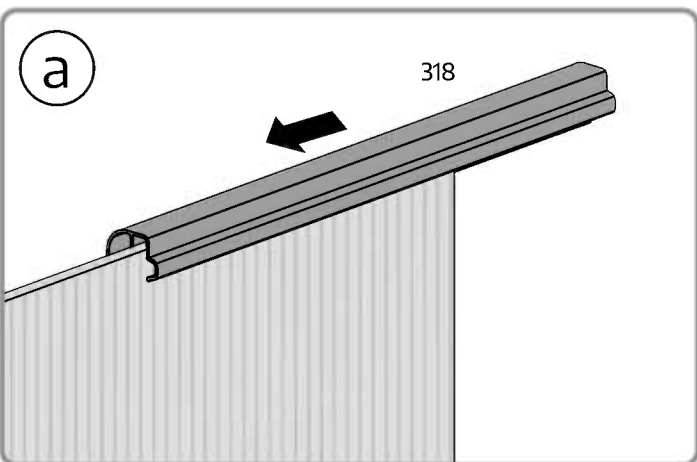
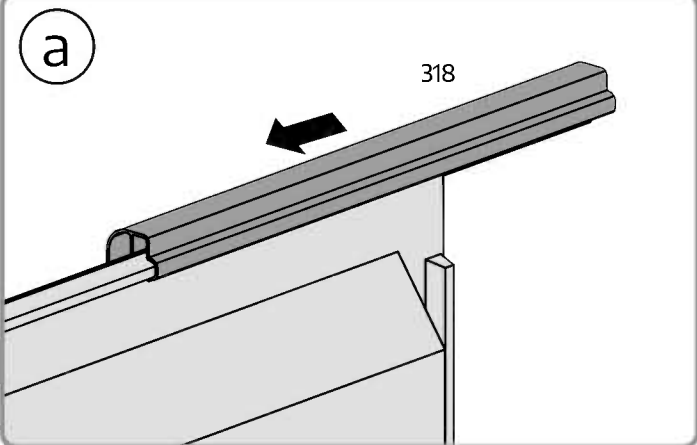


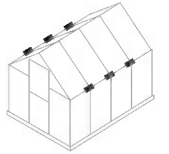


318

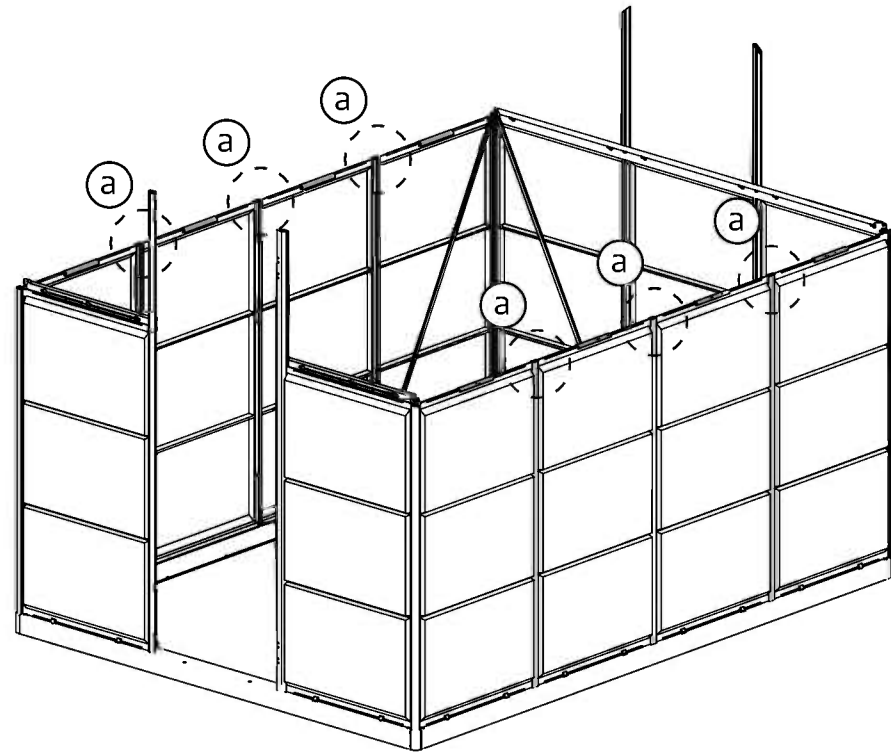
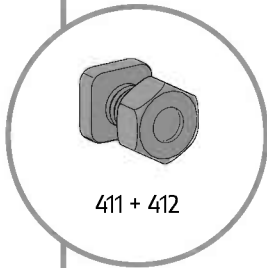
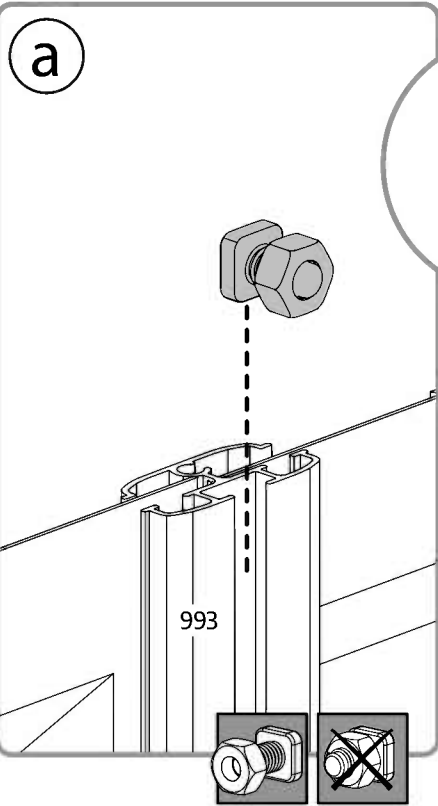


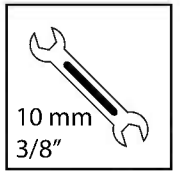
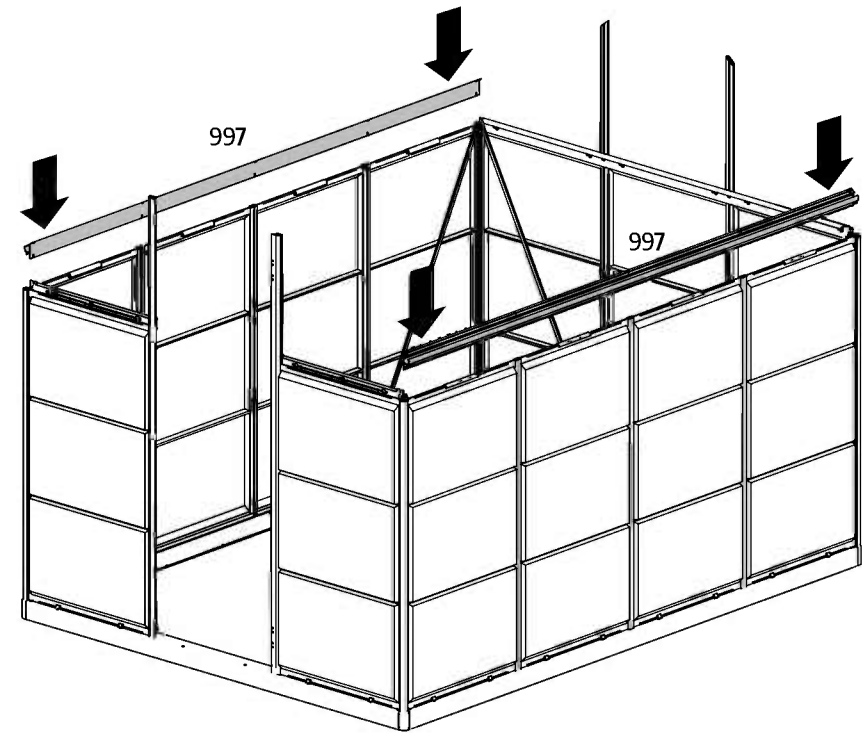
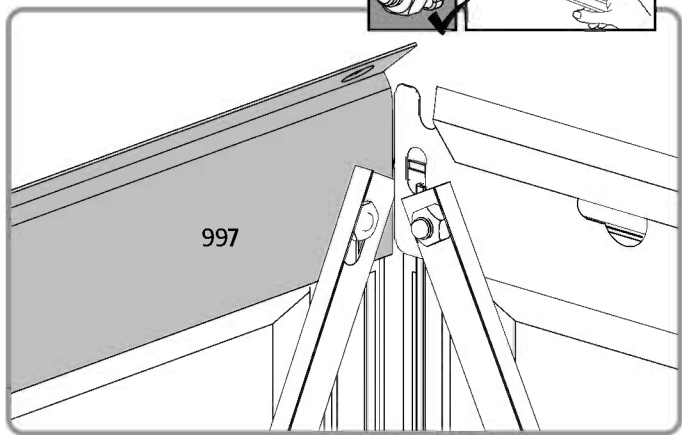
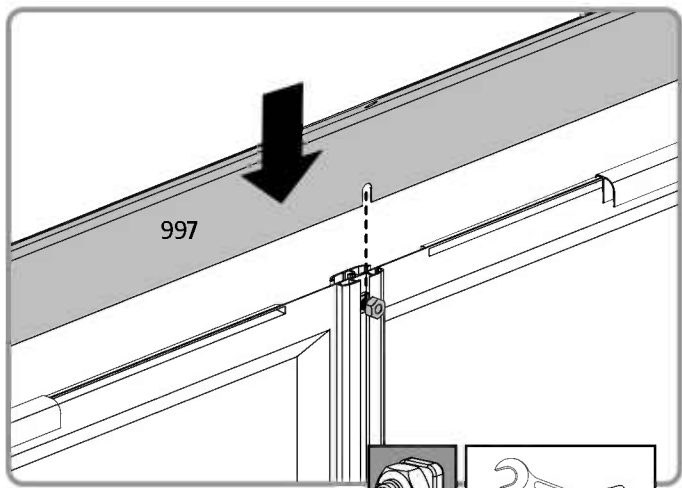
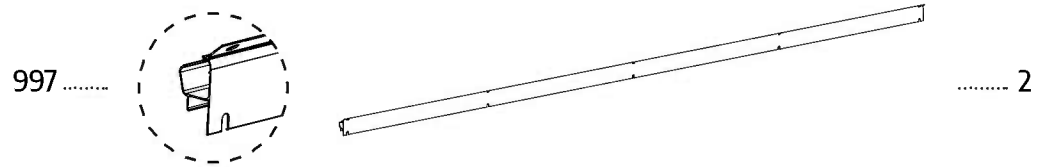
8

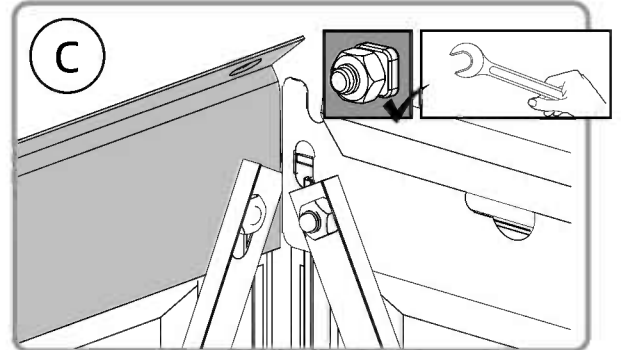
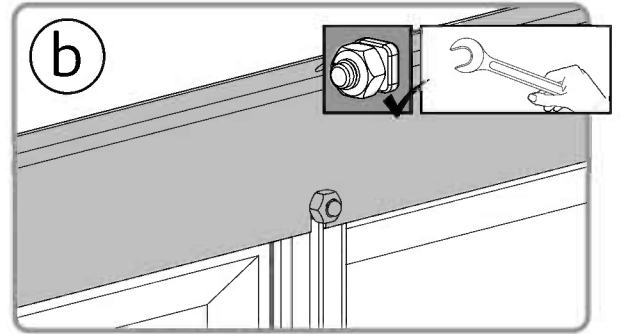
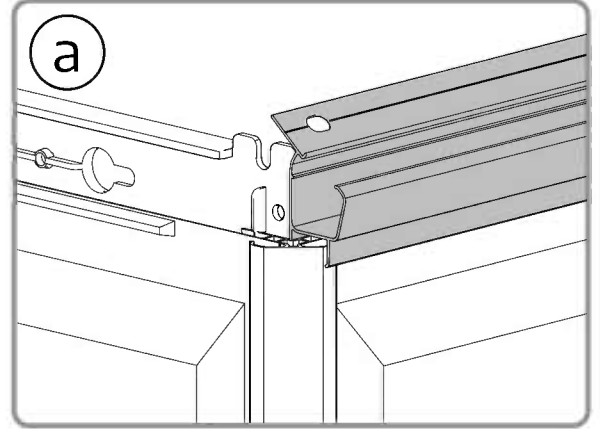
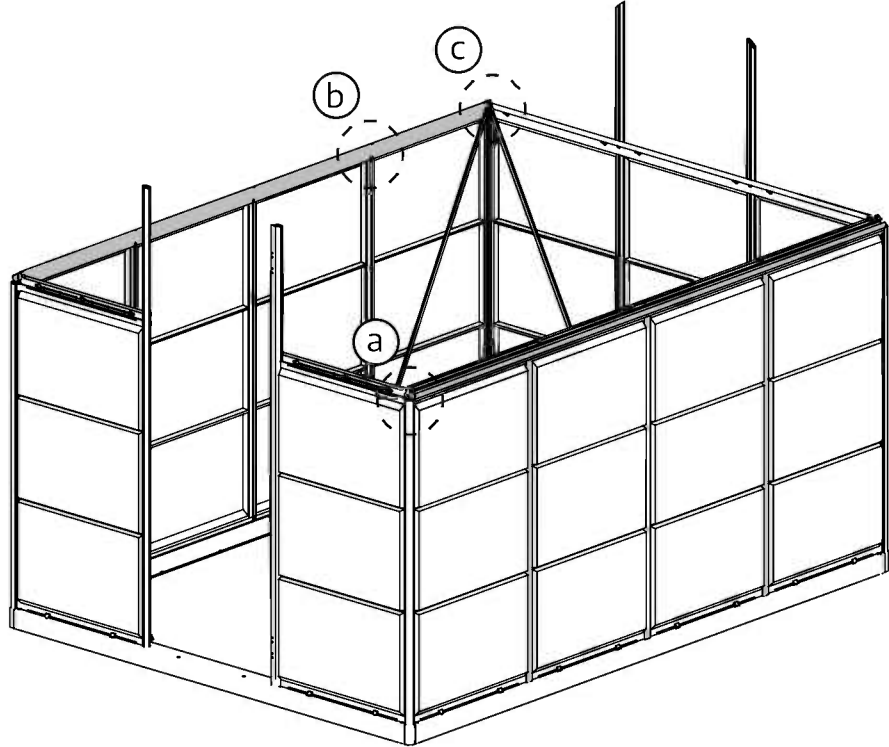
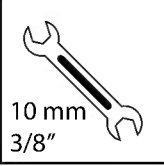




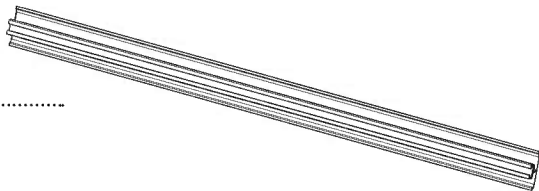
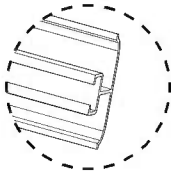
411  6 412  6


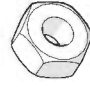




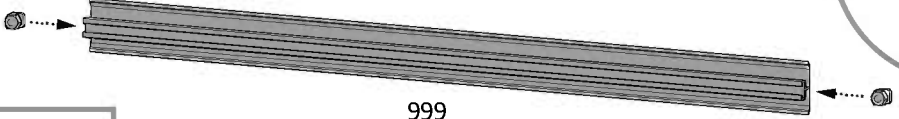




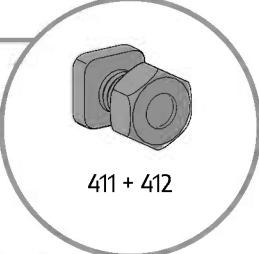
999.....  3 

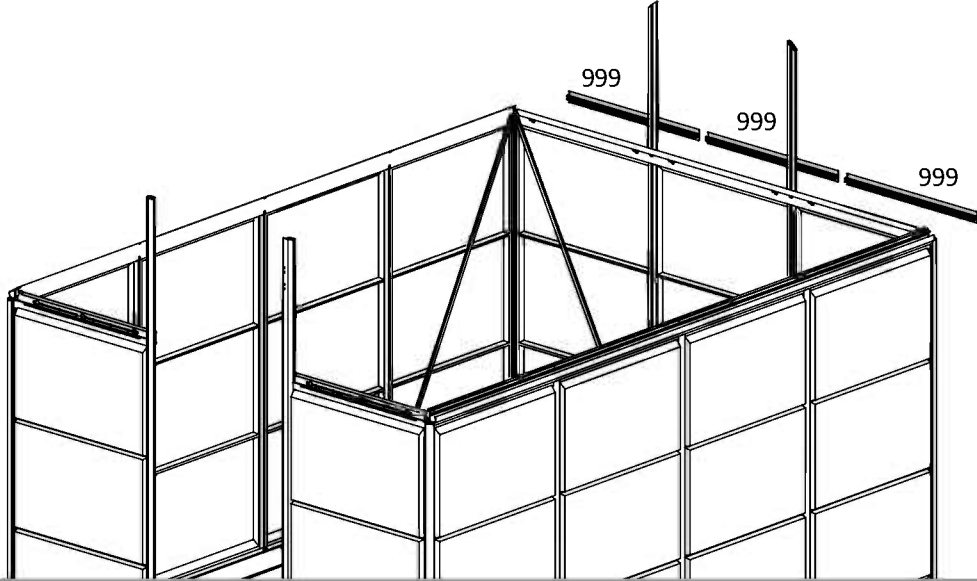
411.....  6 412.....  6

a

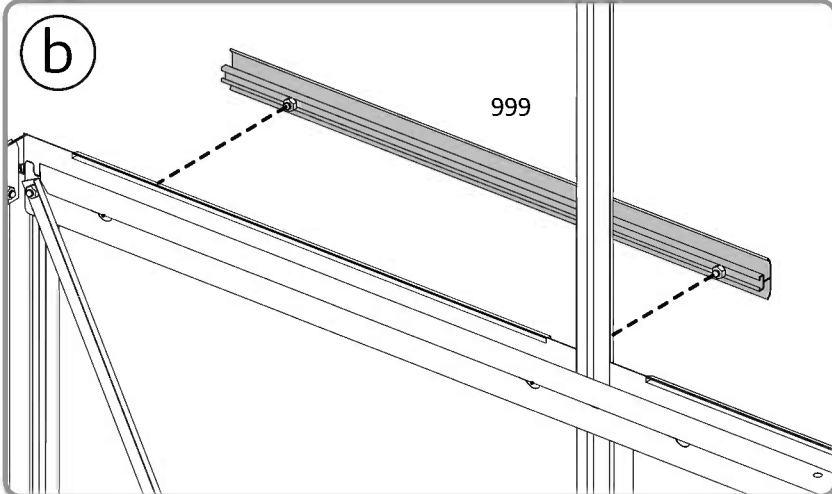
 999

x3

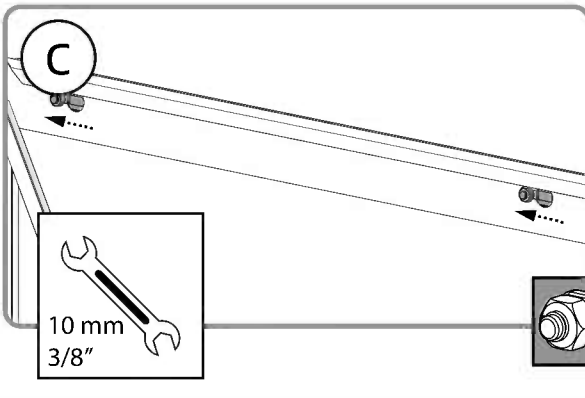
 411 + 412





b

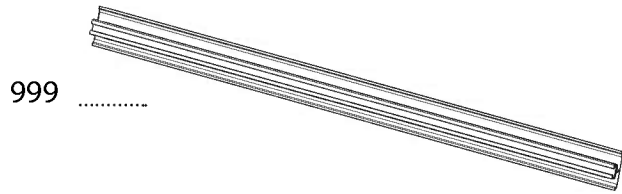
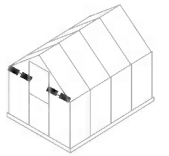
 999

c

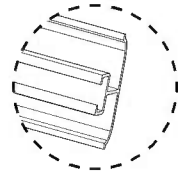




 10 mm
3/8"



999



..... 2



411

..... 6

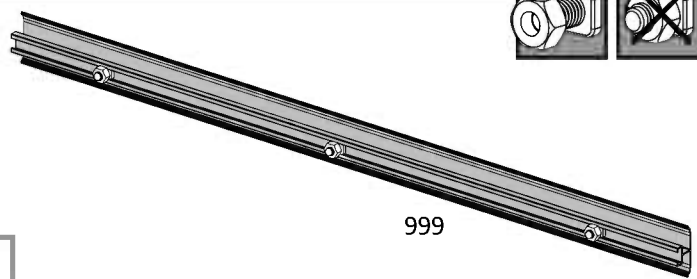


412

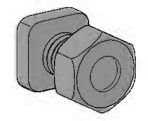


..... 6

a



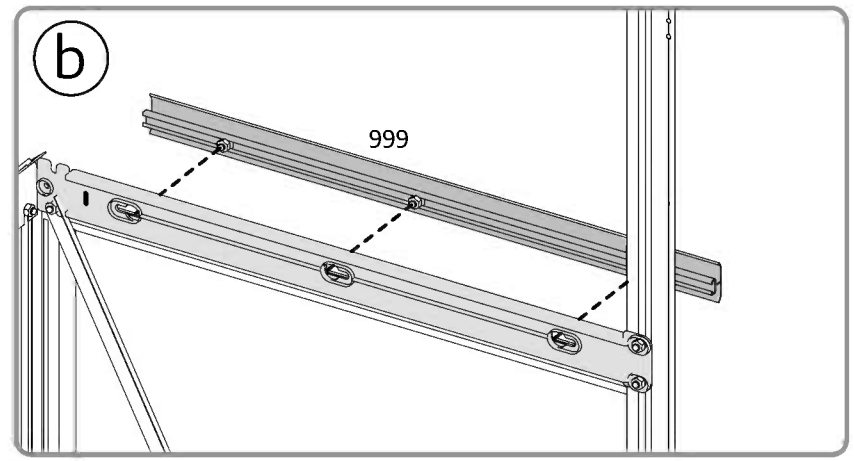
999



411 + 412

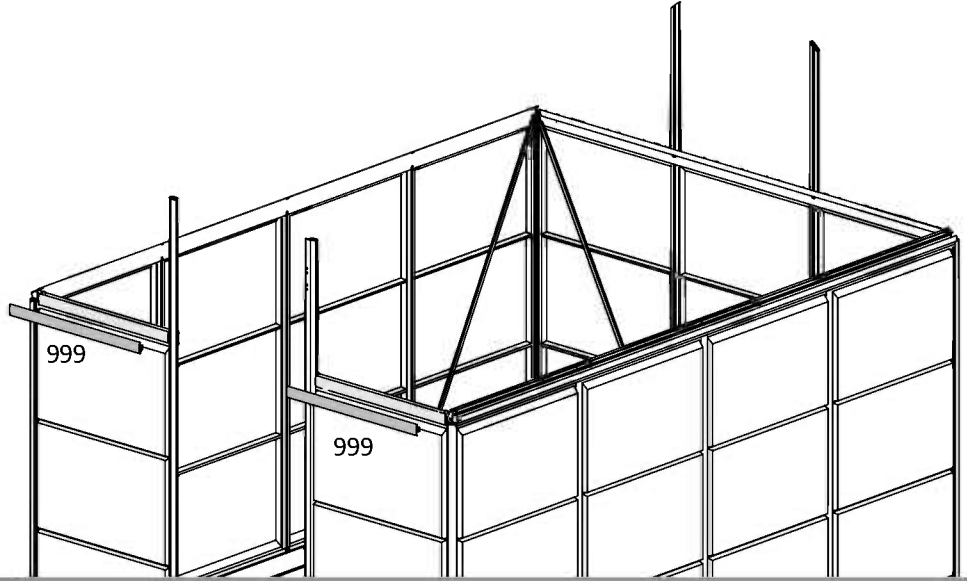
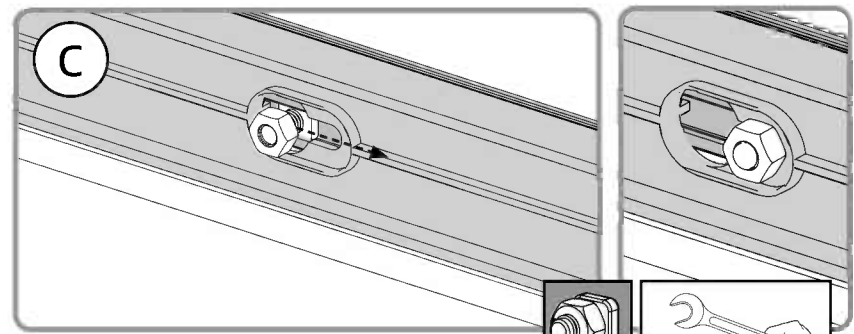
x2

b



999

c

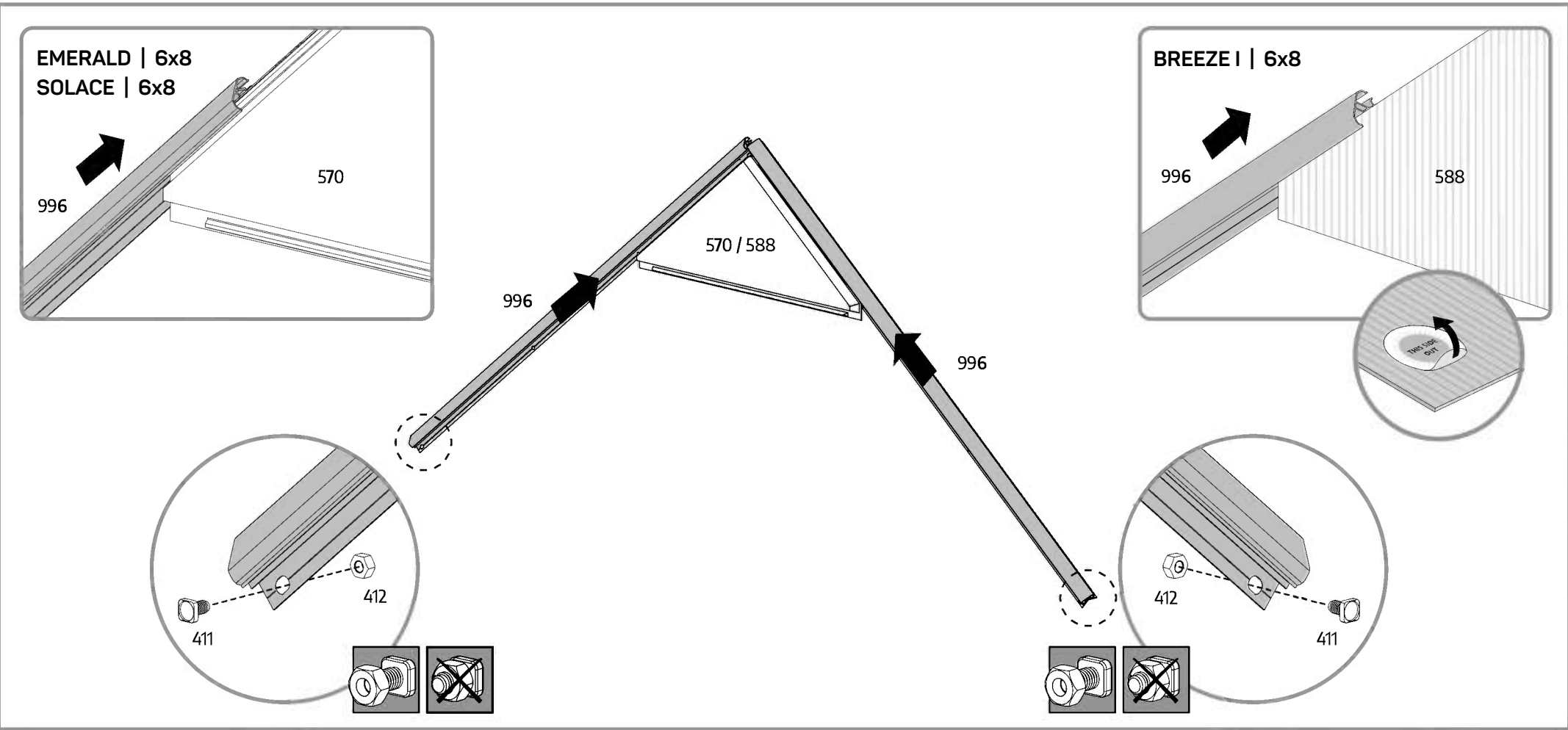
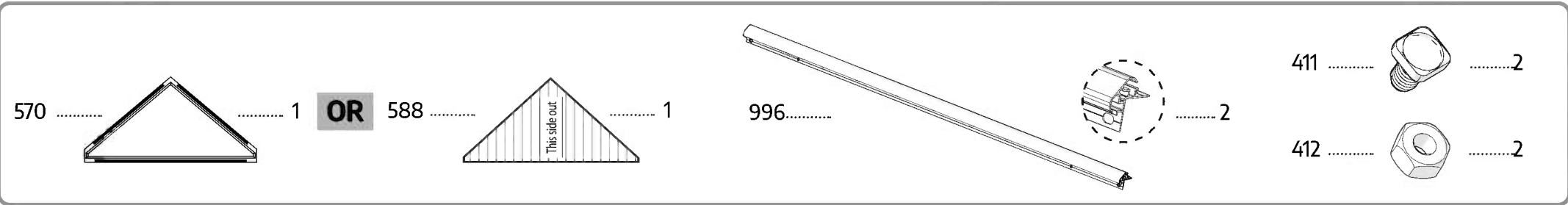


999

999

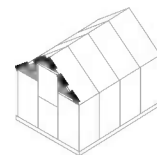


Please Note! Each of the 3 greenhouses come with its compatible panels kit as shown in the content list and in the relevant assembly steps.



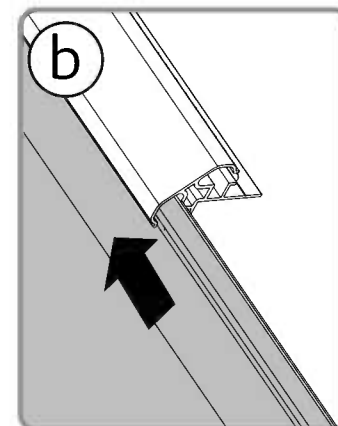
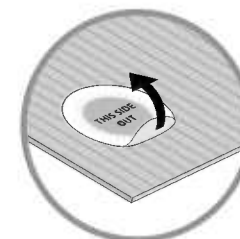
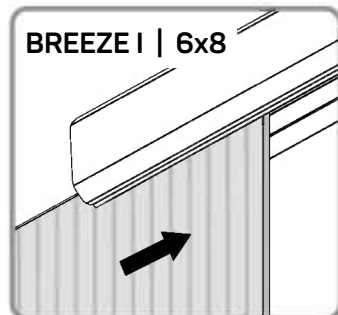
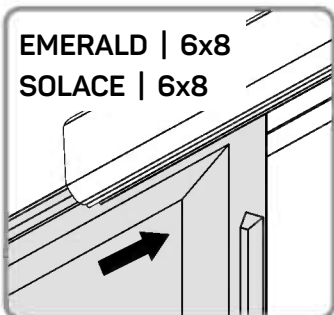
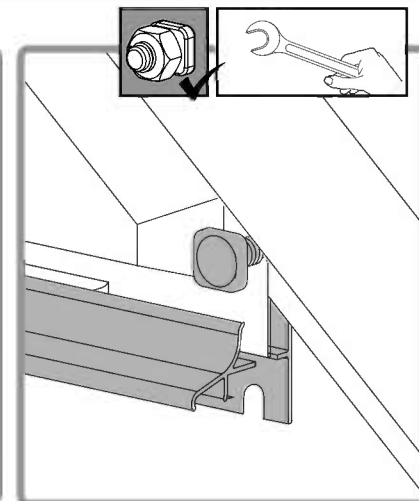
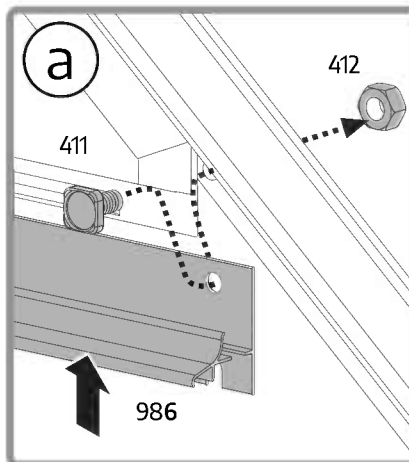
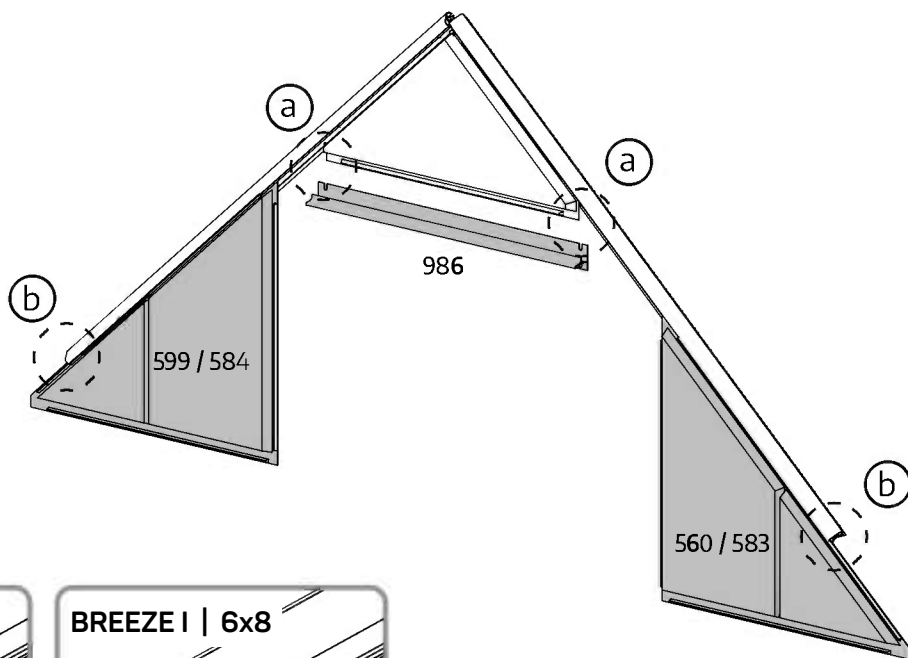
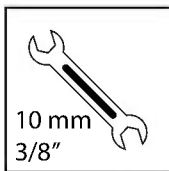


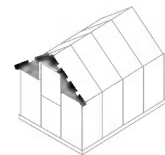
Please Note! Each of the 3 greenhouses come with its compatible panels kit as shown in the content list and in the relevant assembly steps.




559 1 560 1 **OR** 584 1 583 1 411 2

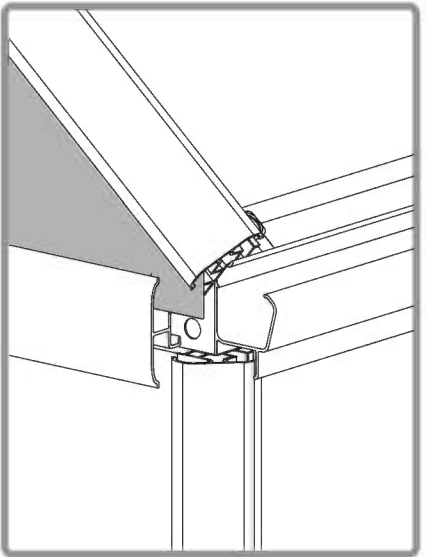
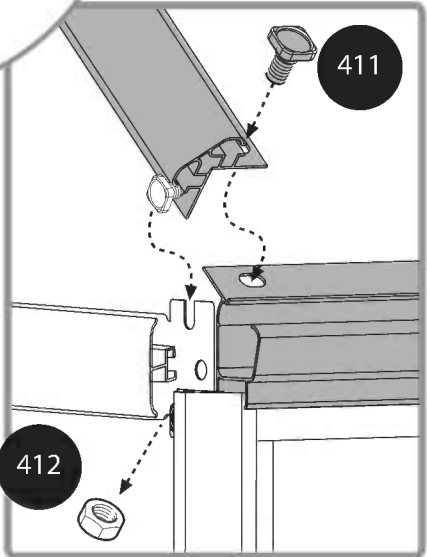
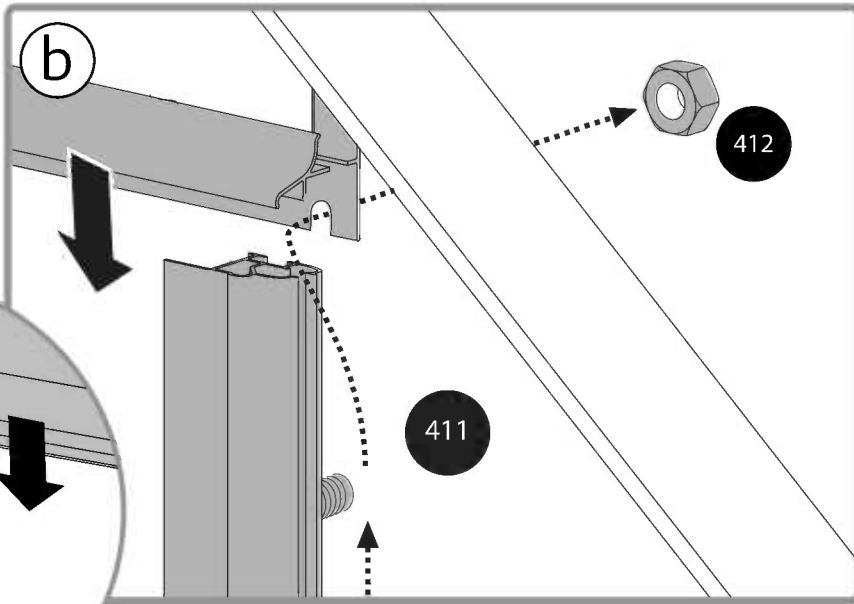
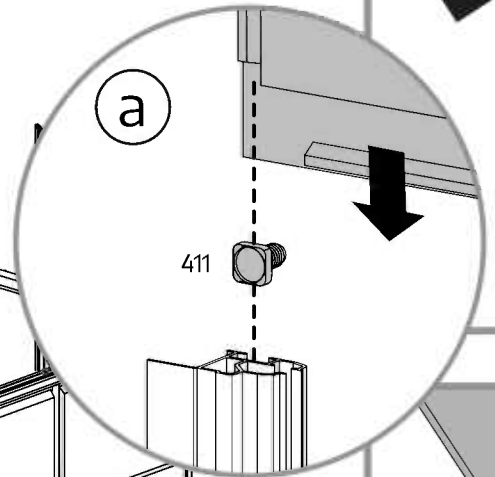
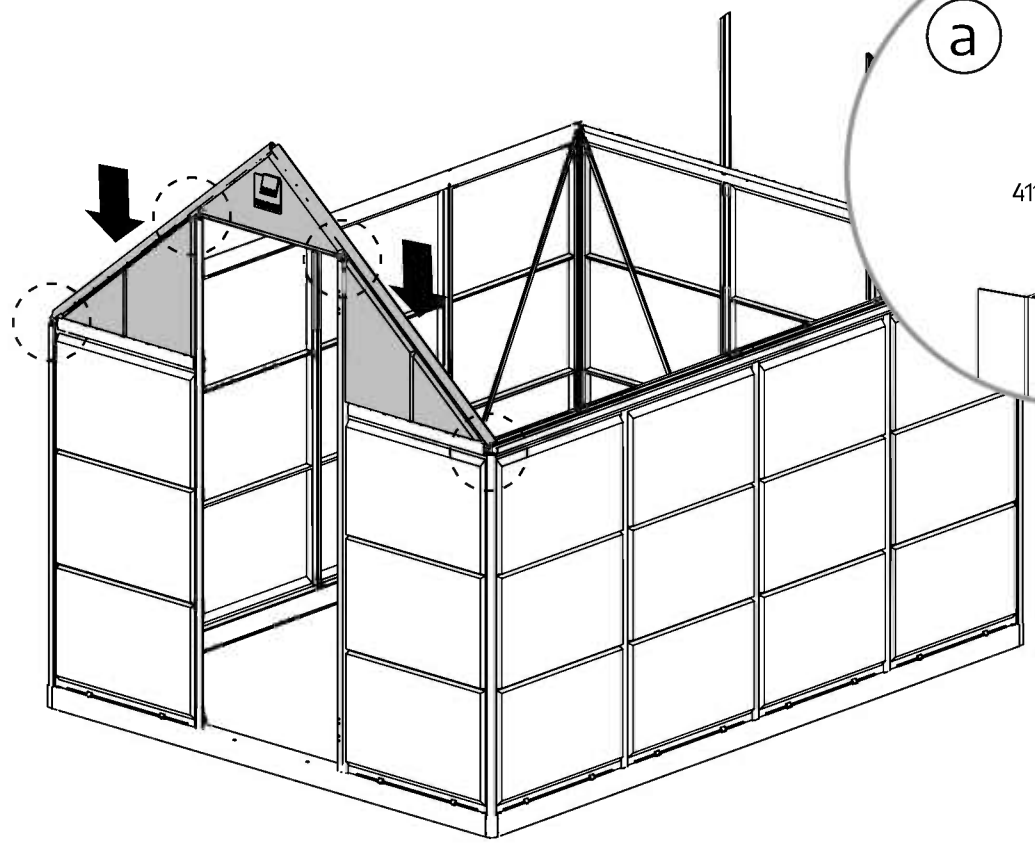
986 1 412 2





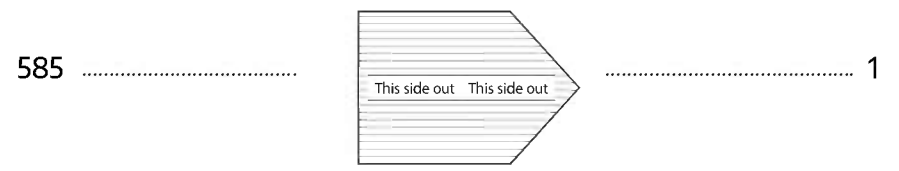
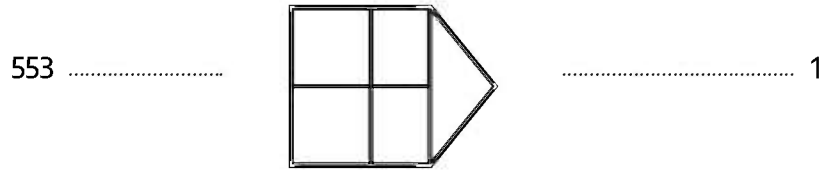
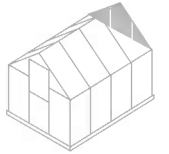
411  4

412  4

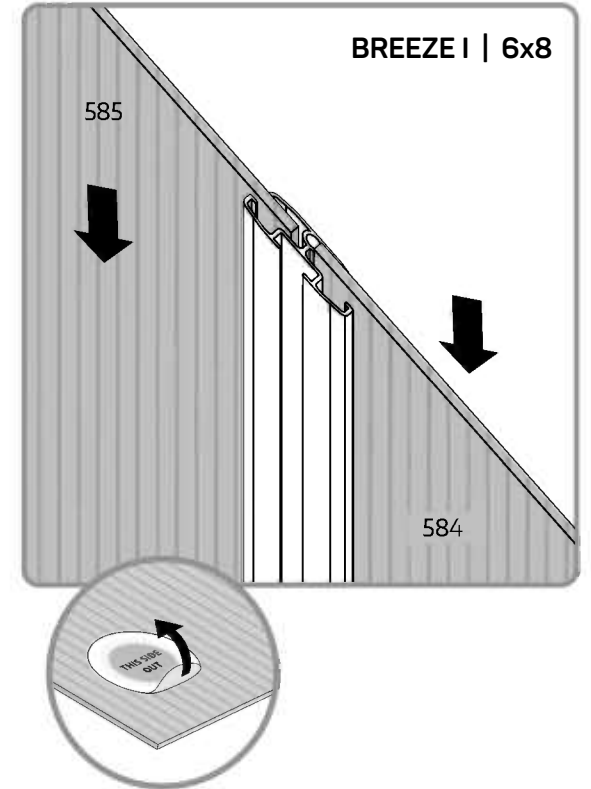
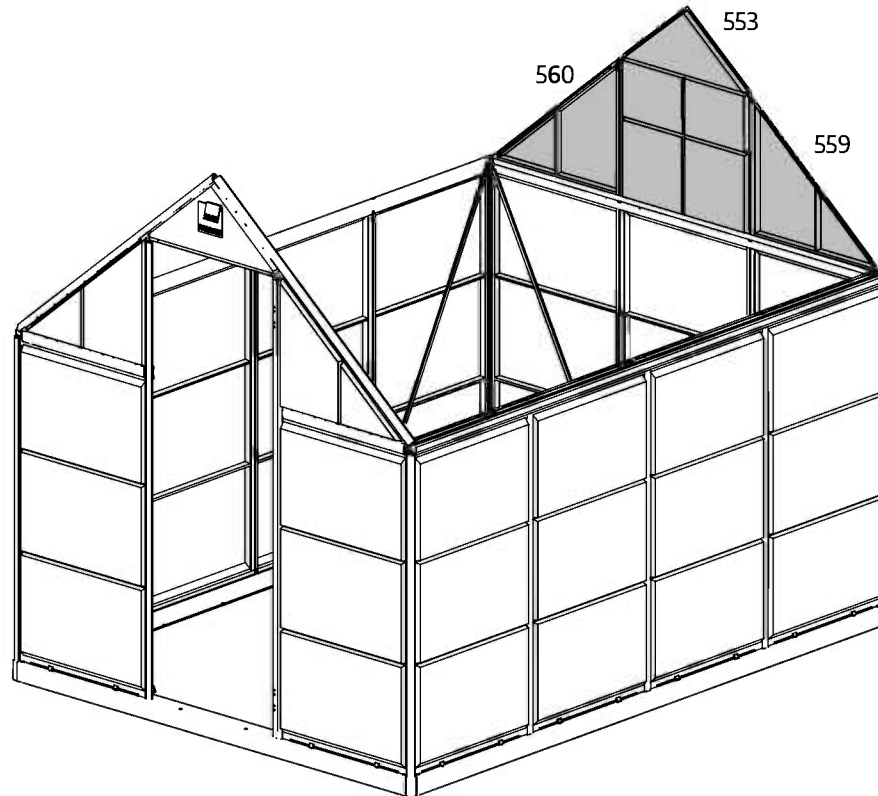
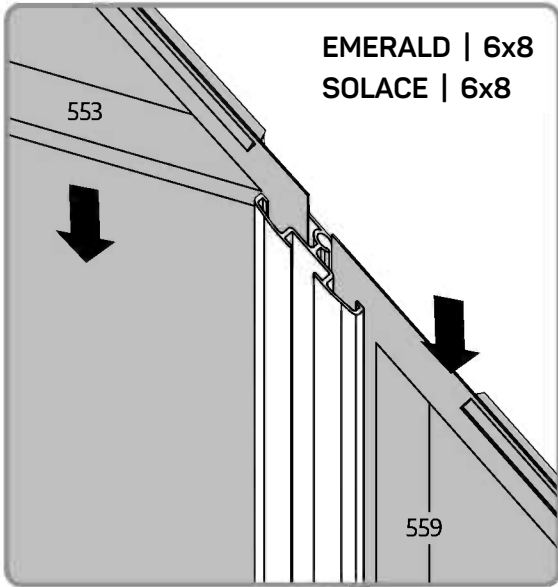
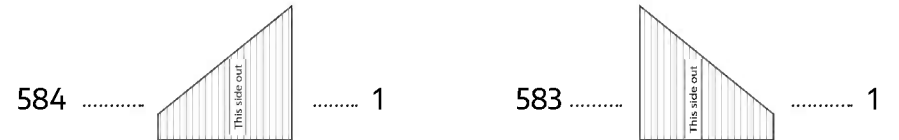
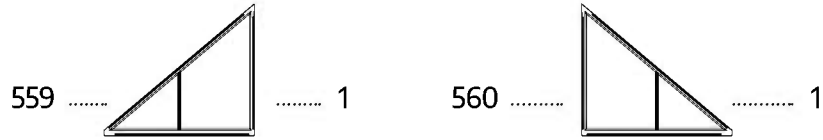




Please Note! Each of the 3 greenhouses come with its compatible panels kit as shown in the content list and in the relevant assembly steps.



OR





996

.....2

411 4

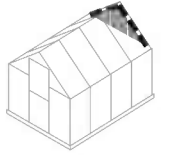
412 4



996

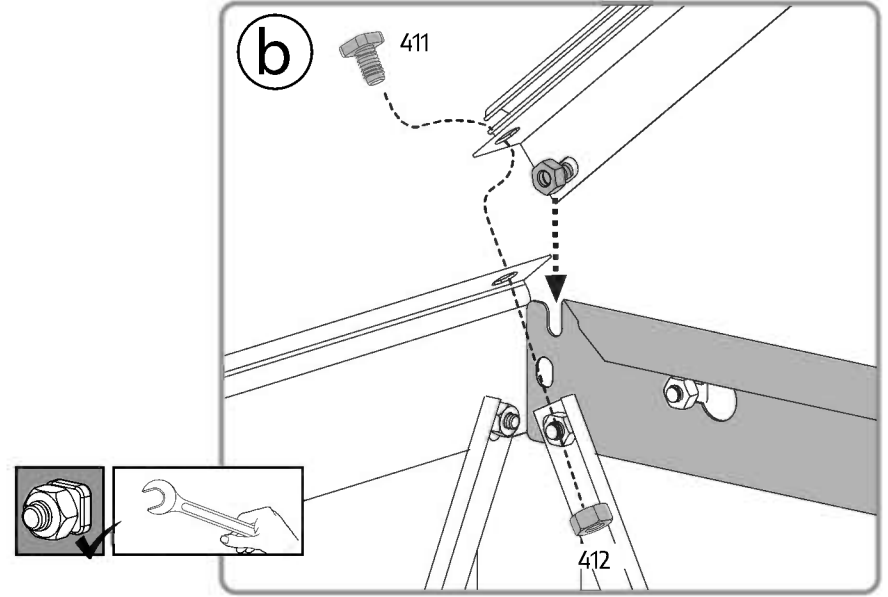
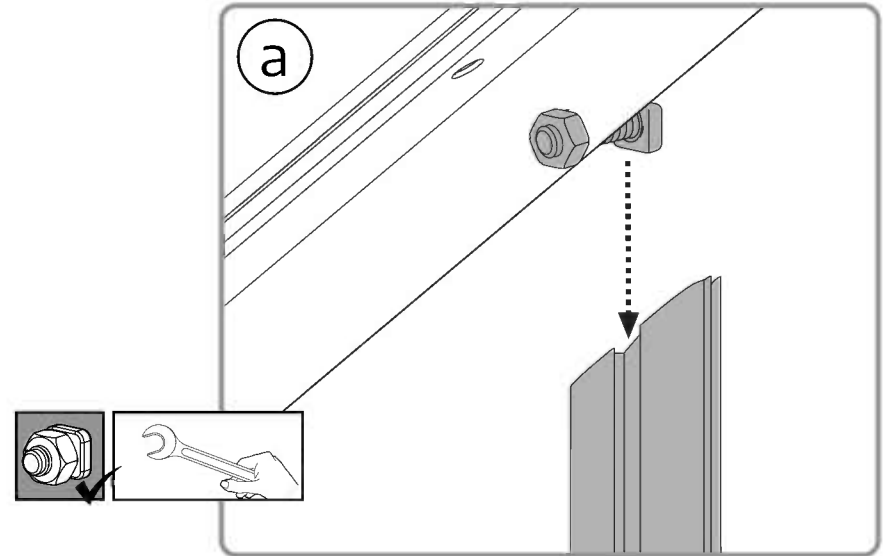
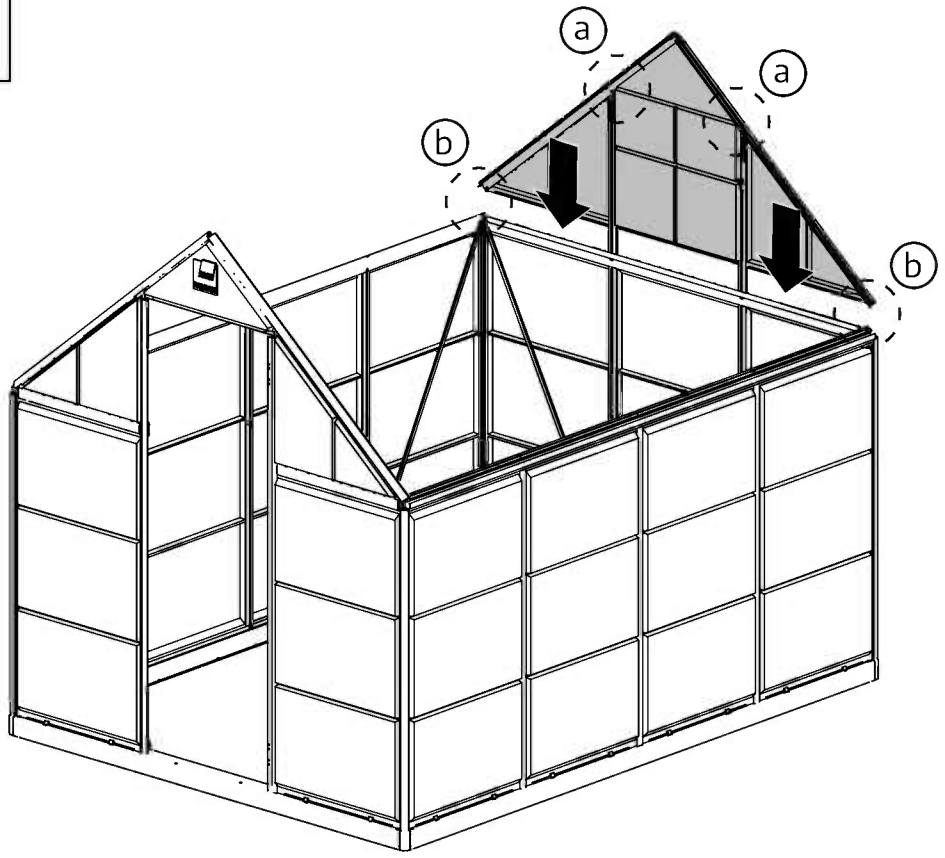
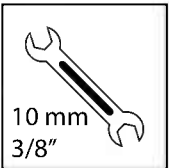
996

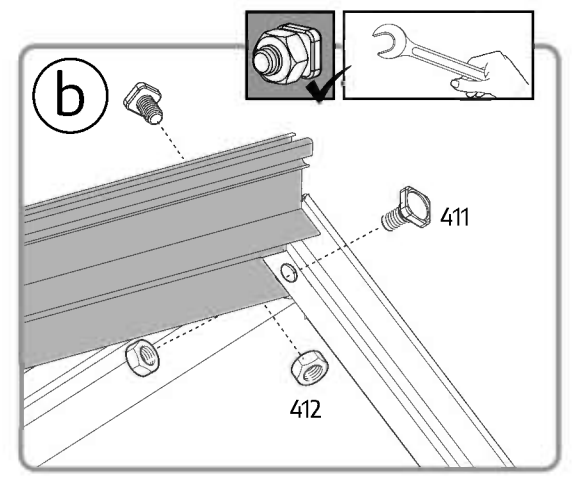
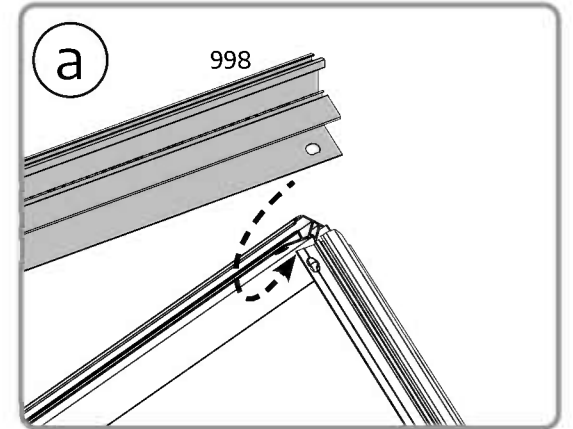
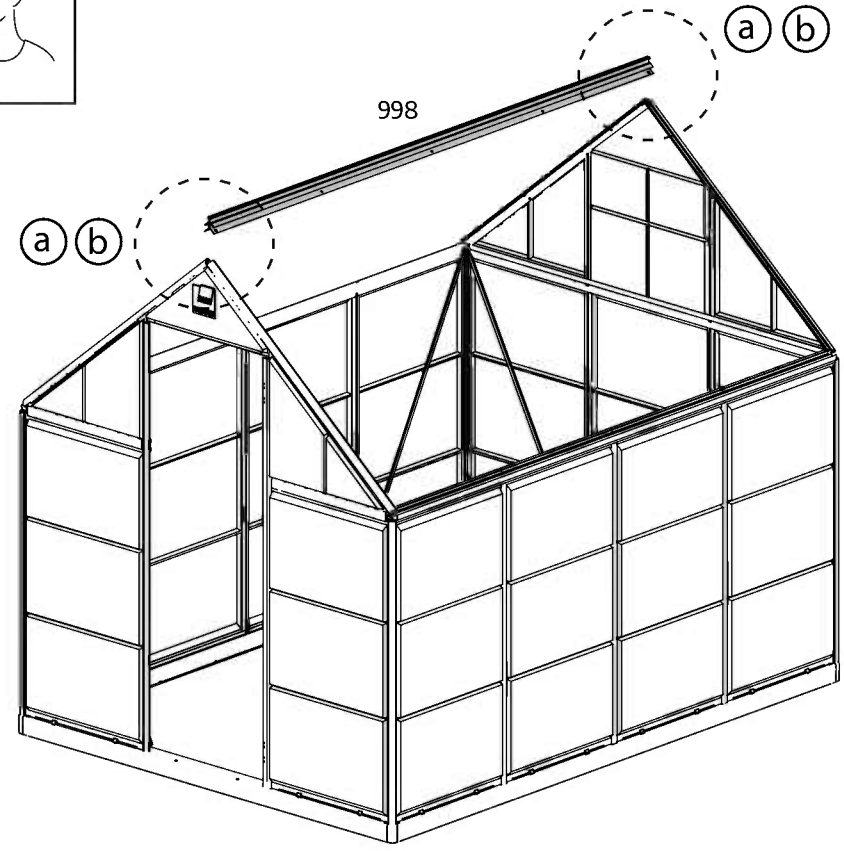
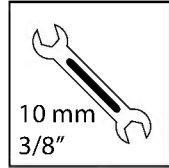
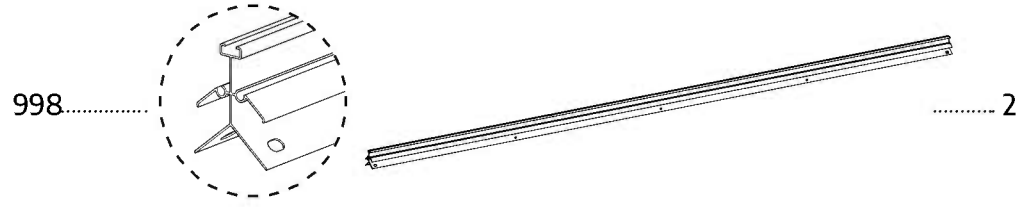
412

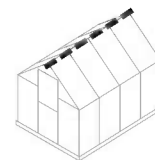
411



411 2 412 2

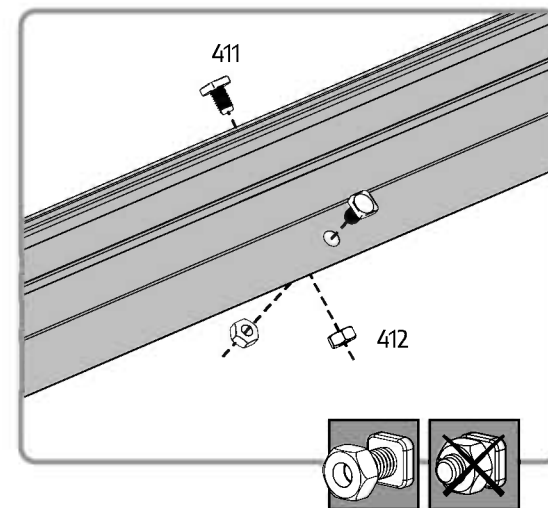
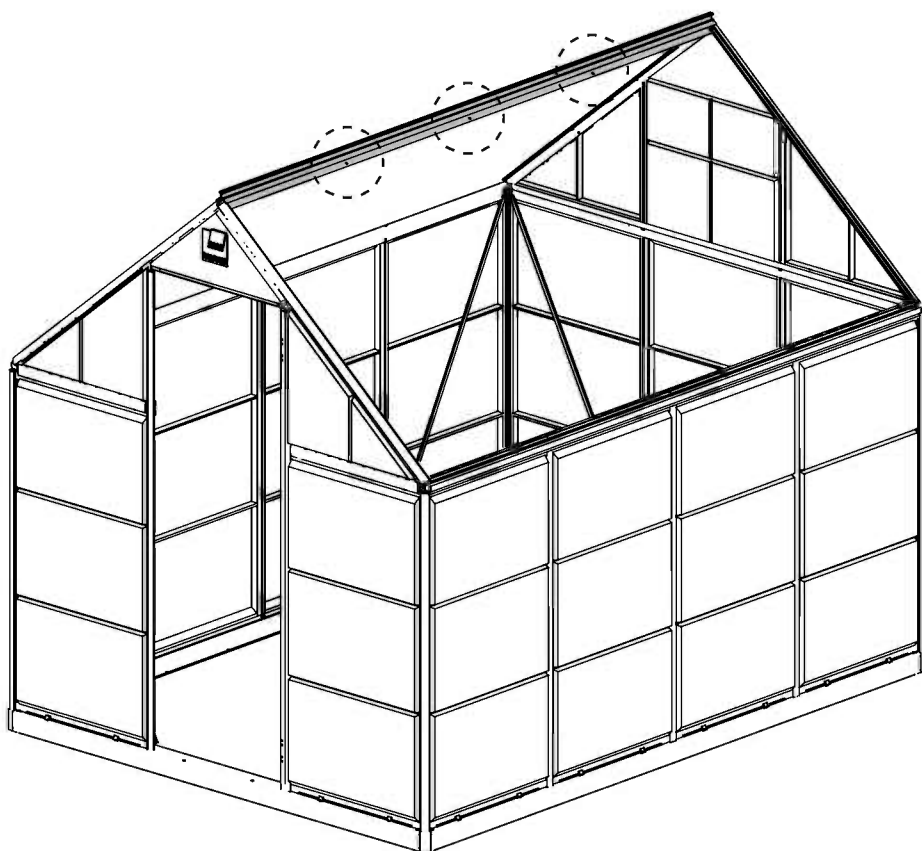






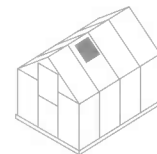
411.....  6

412.....  6





Decide on the window's location before assembly.
Window can be installed in one of the indicated options.

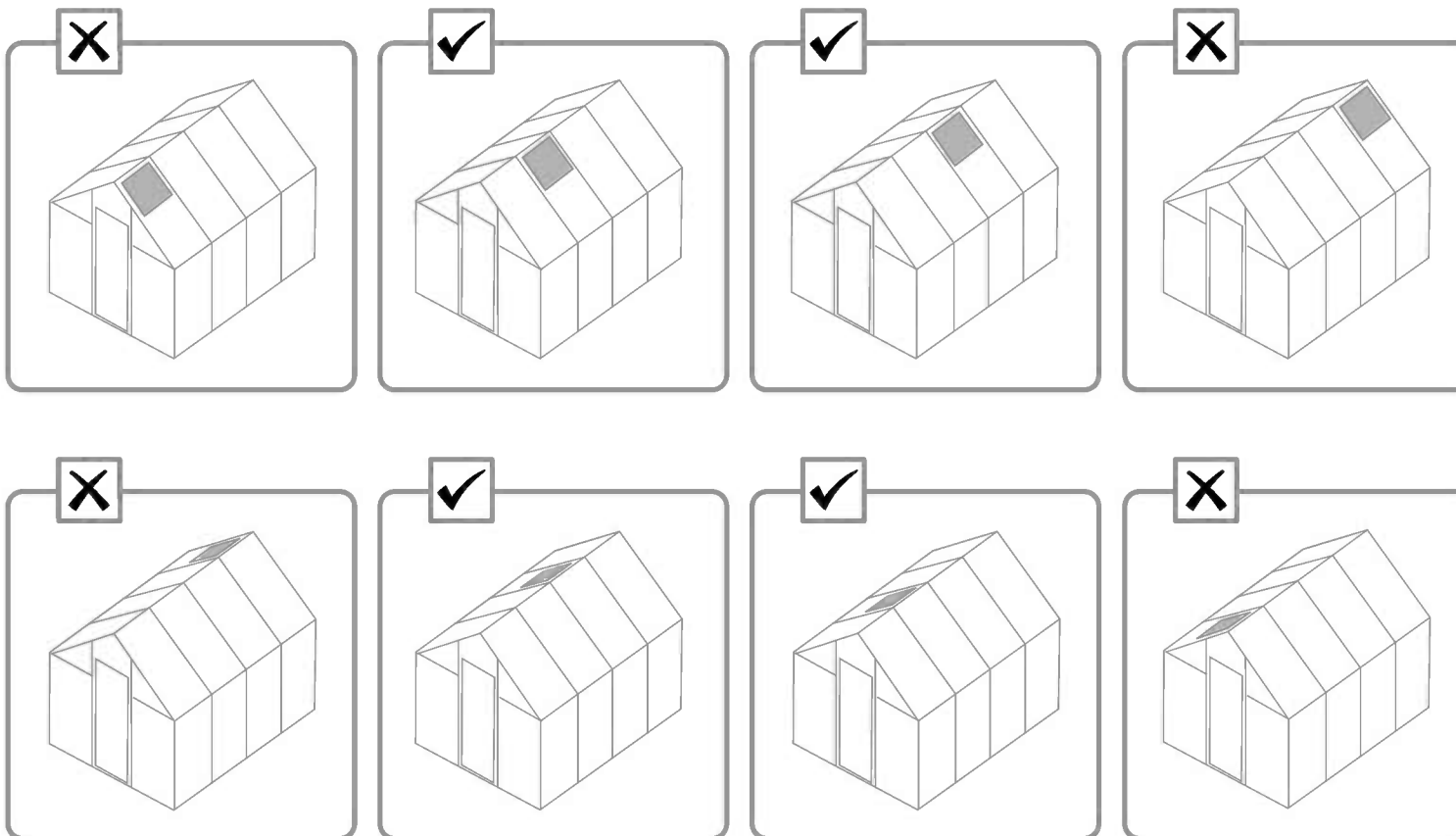


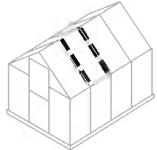
EN Windows Location

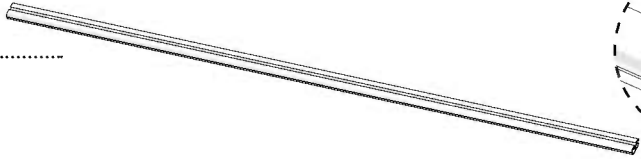
GR Fenster Standort

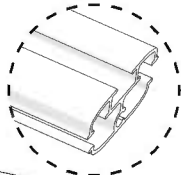
FR Fenêtre Emplacement


SP Ventana Ubicación







993.....

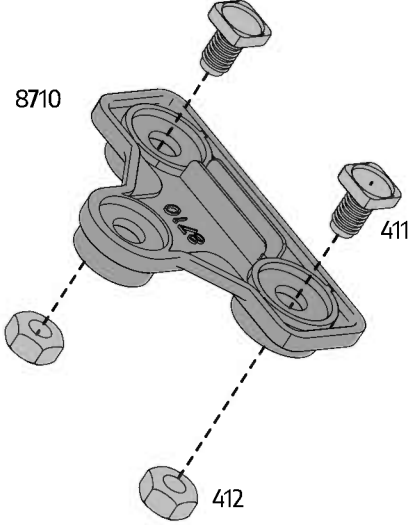
.....2

8710..........2

411..... 4

412.....4

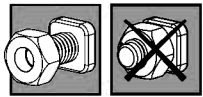
a x2



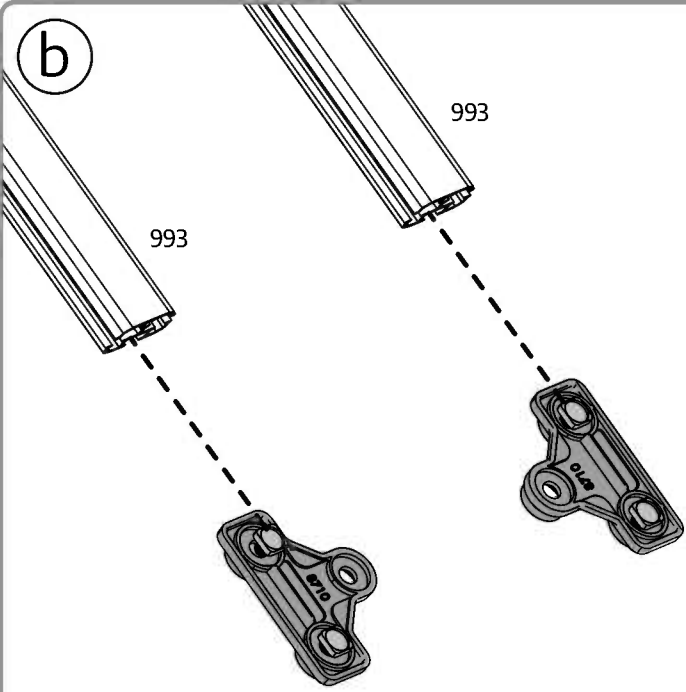
8710

411

412



b

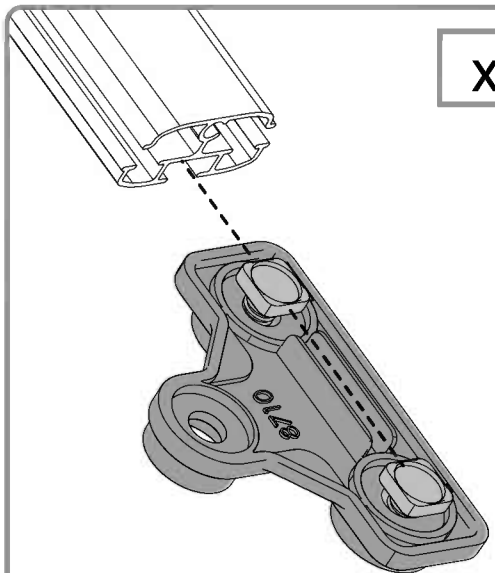


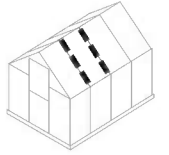
993

993

8710

x2





..... 2



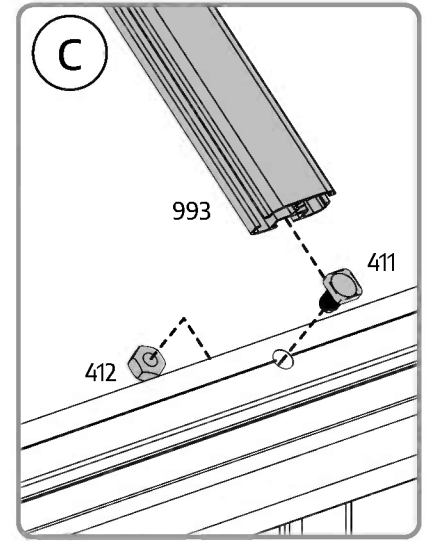
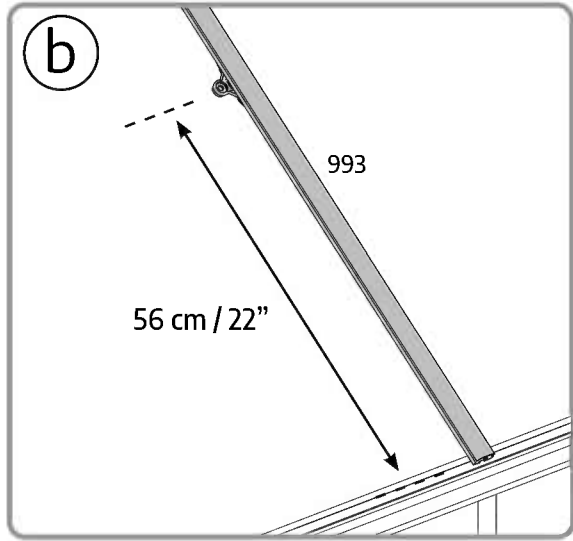
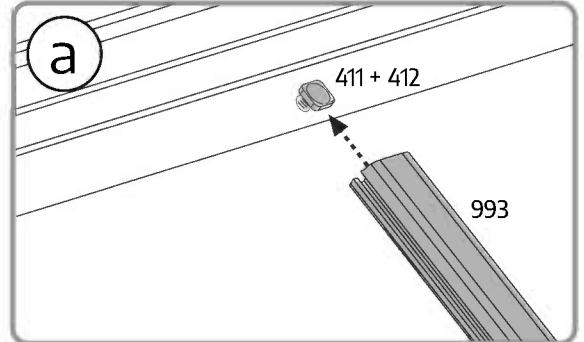
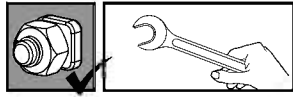
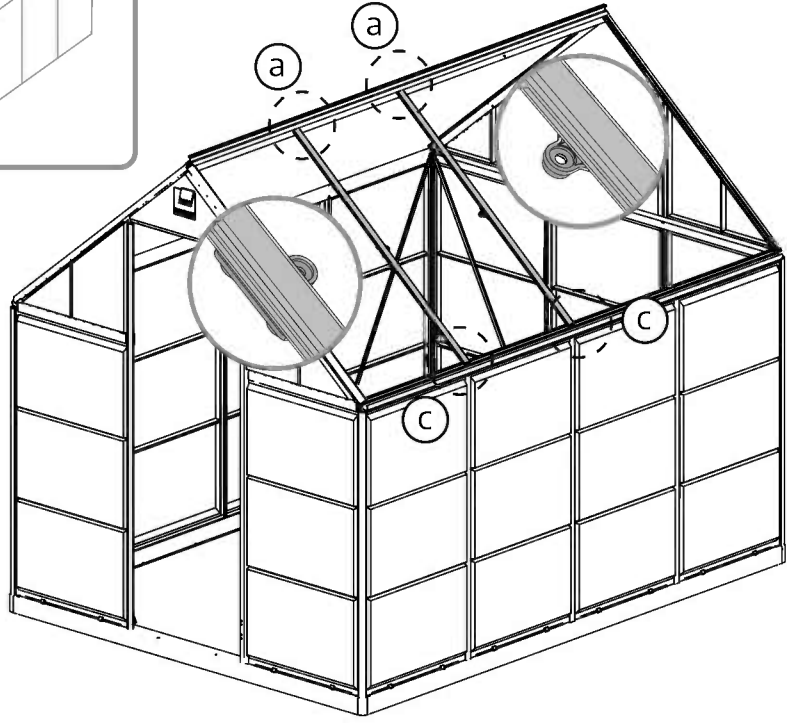
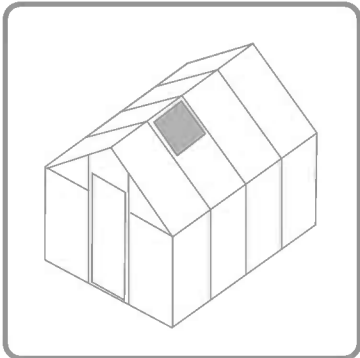
411

..... 2



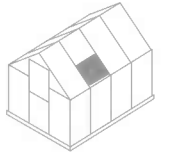
412

..... 2





Please Note! Each of the 3 greenhouses come with its compatible panels kit as shown in the content list and in the relevant assembly steps.



7010..... 1 **OR** 586 1

990 1

411 3

a

990

a

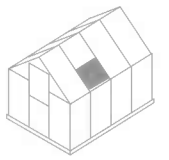
990

411

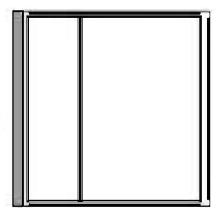
990

7010 / 586

b



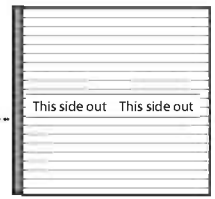
7010 + 990



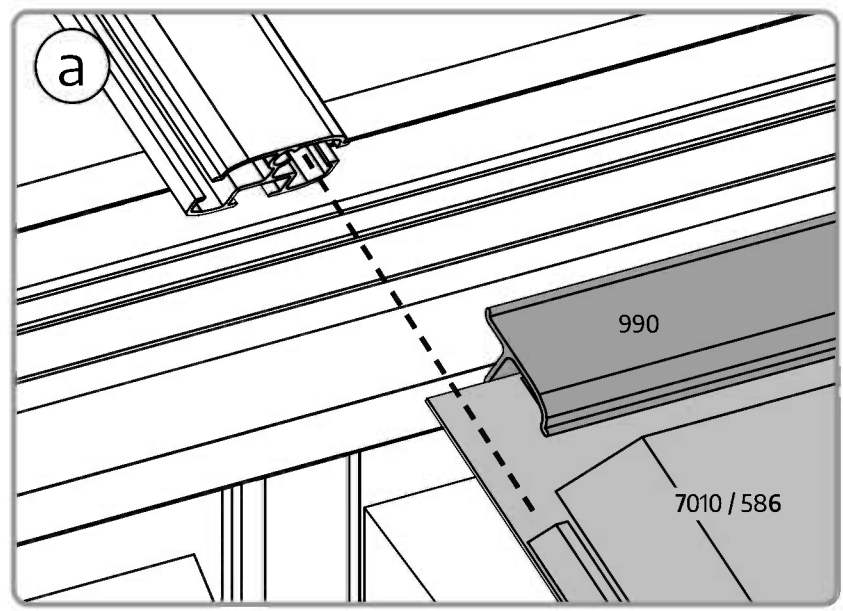
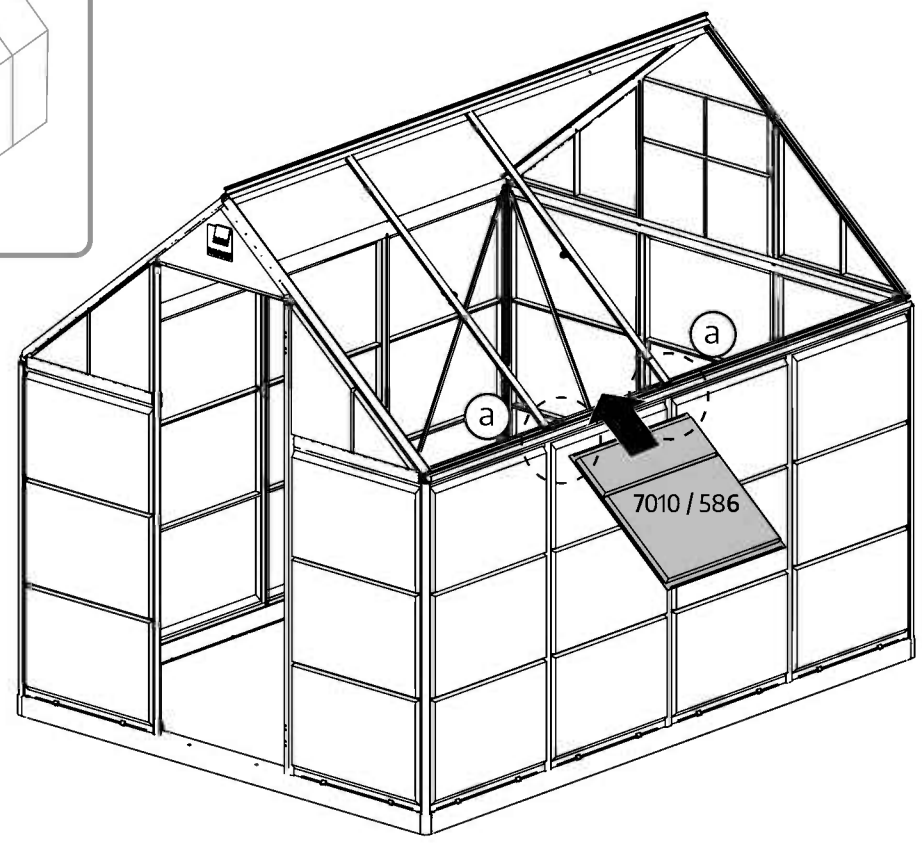
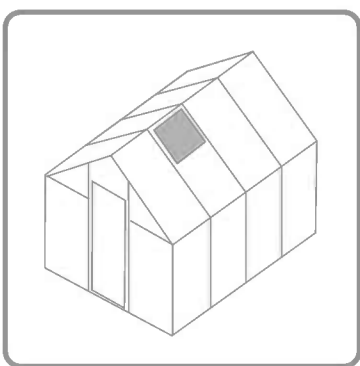
.....1

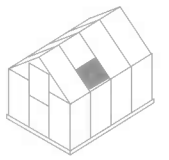
OR

586 + 990

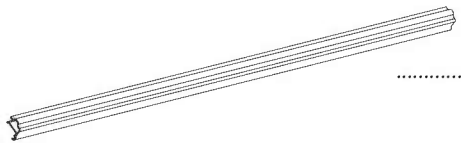


..... 1



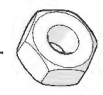


981.....

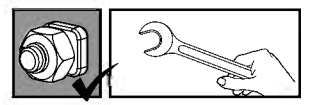
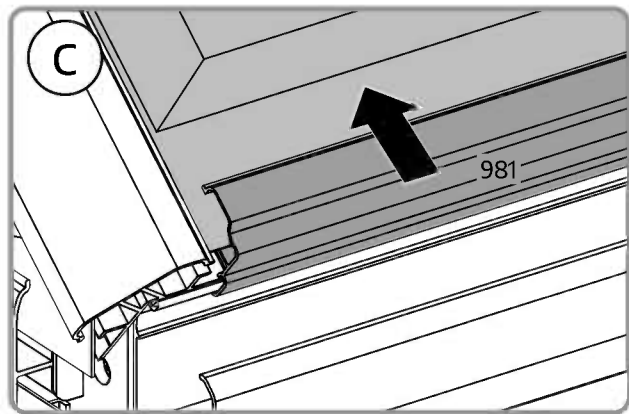
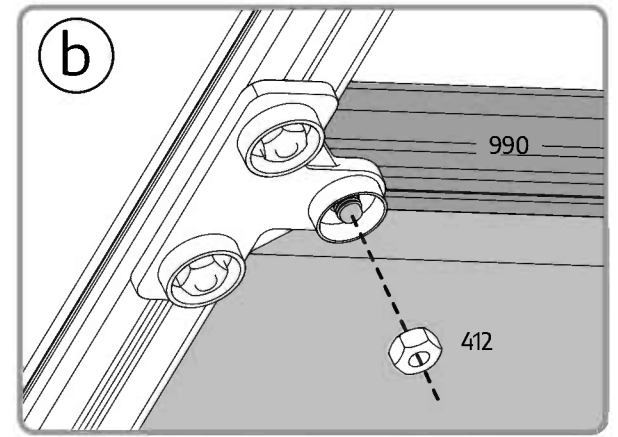
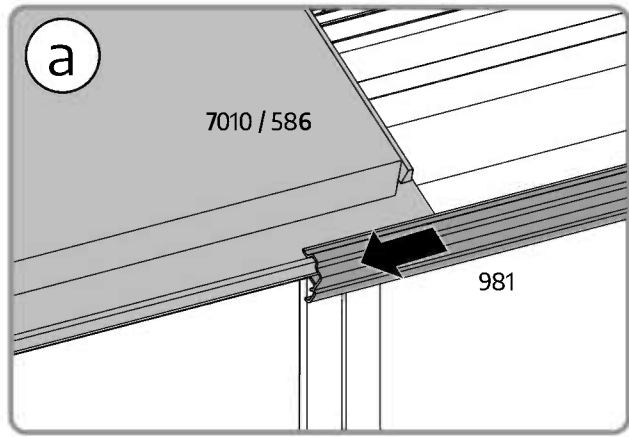
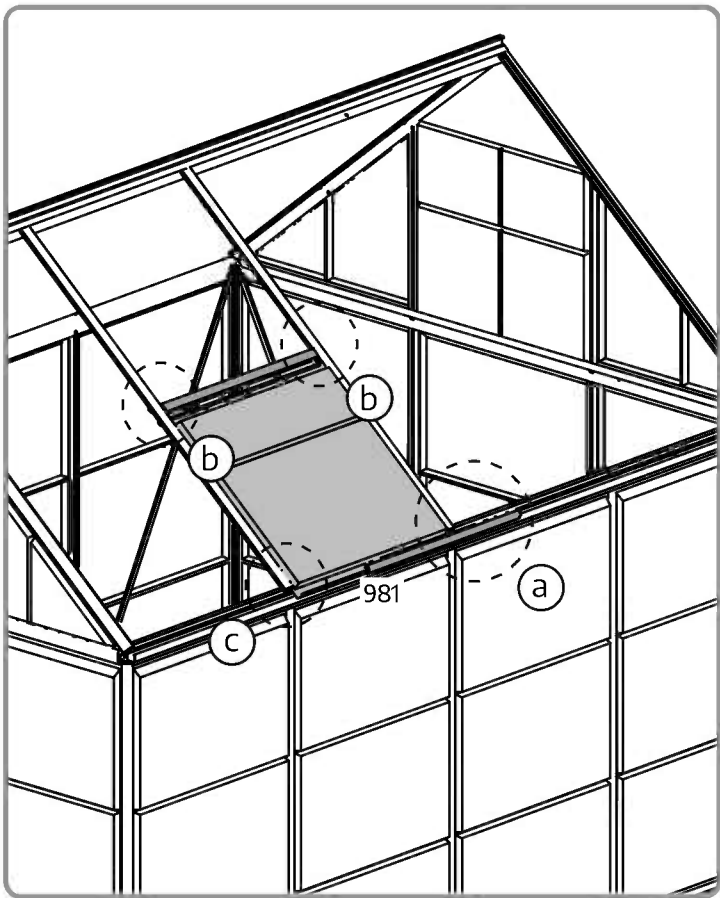


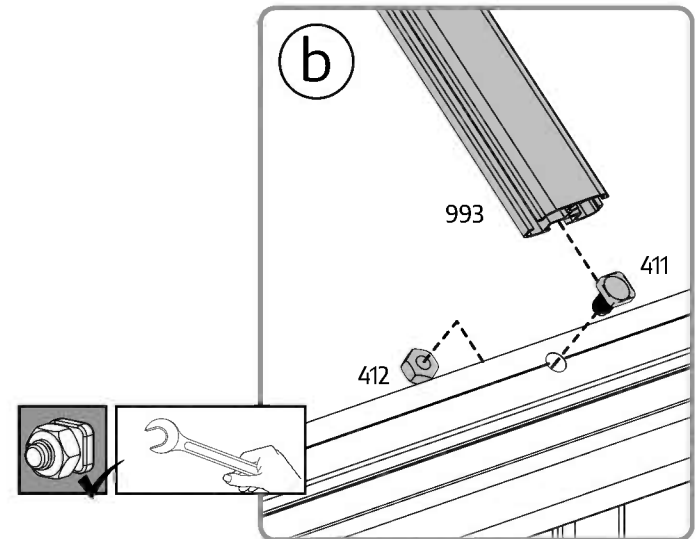
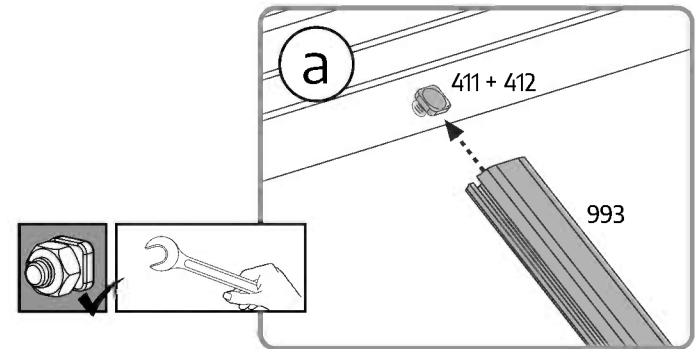
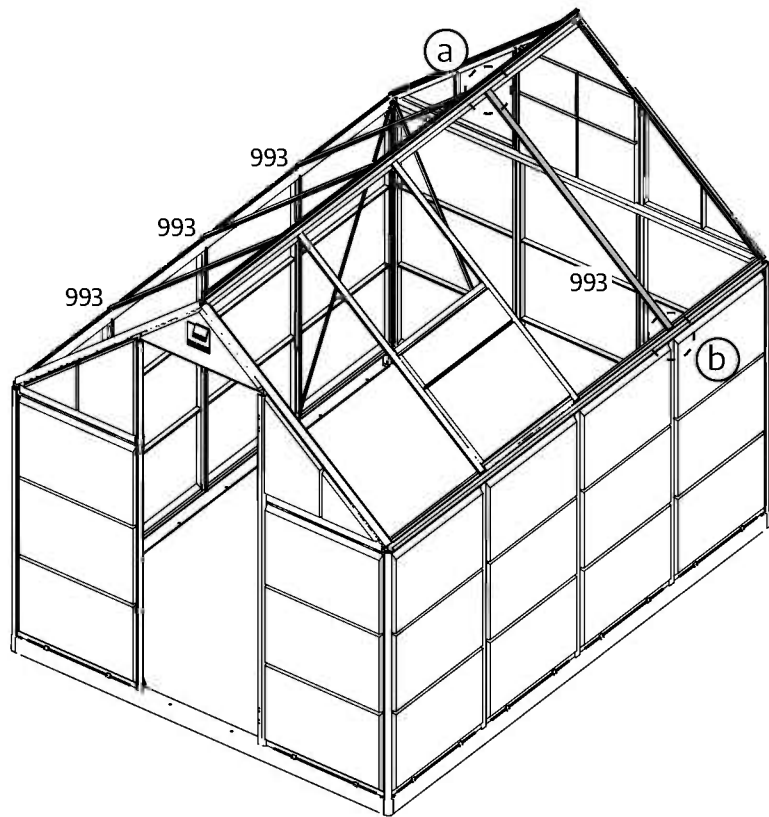
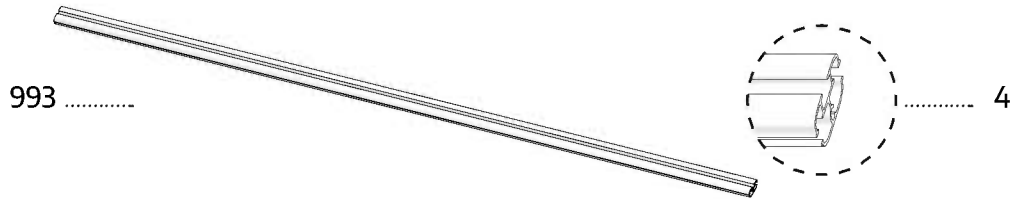
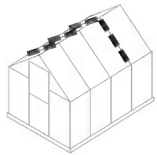
.....1

412.....



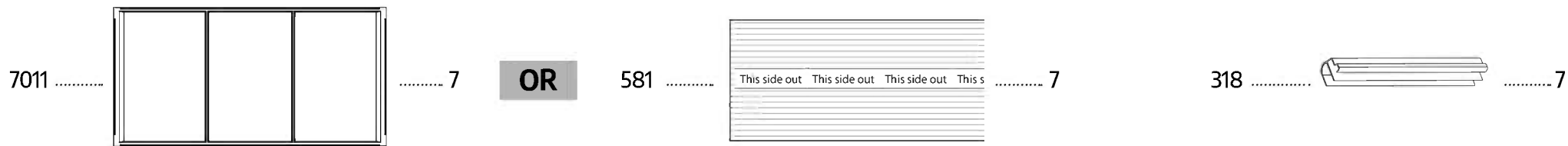
.....2



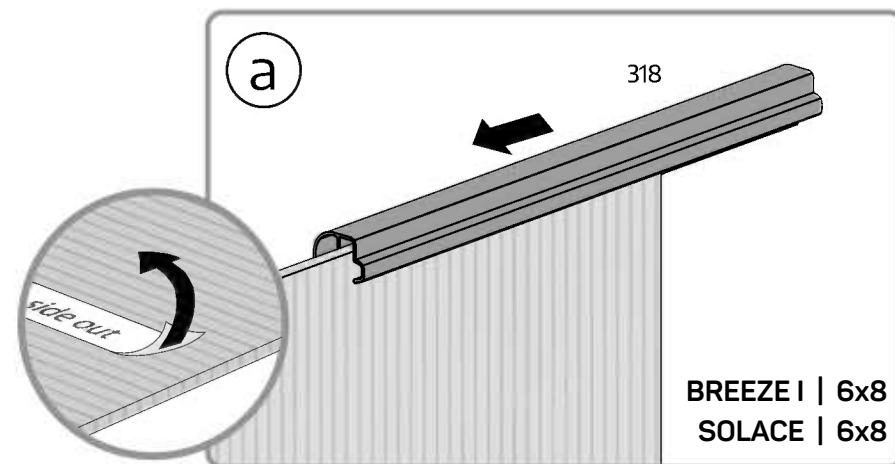
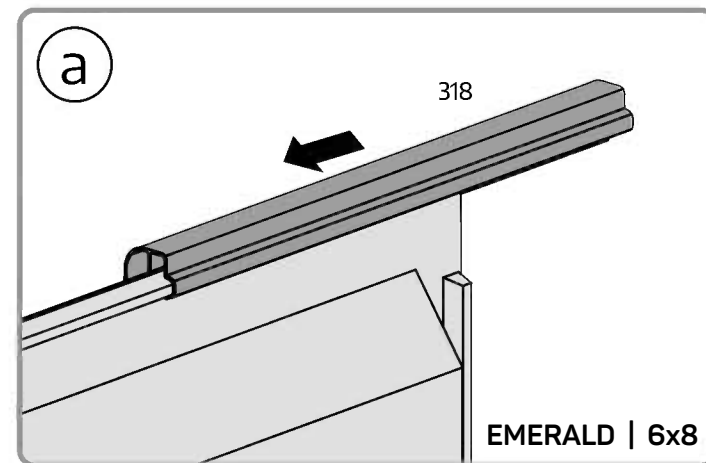
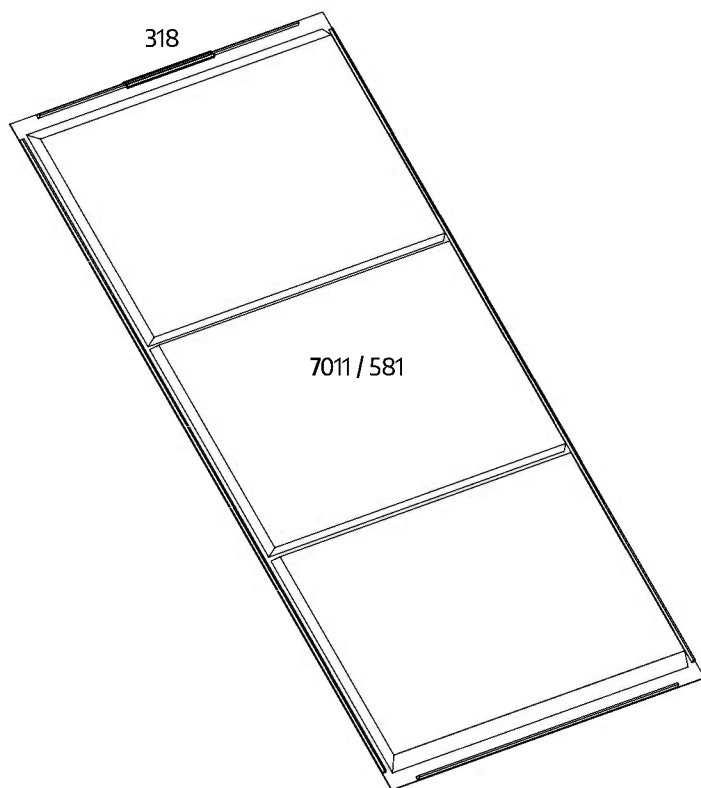


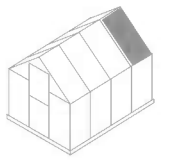


Please Note! Each of the 3 greenhouses come with its compatible panels kit as shown in the content list and in the relevant assembly steps.



x7





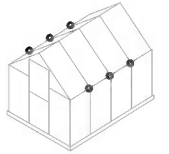
7011 + 318 1 **OR** 581 + 318 1 981 1

This side out This side out This side out This s..... 1

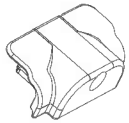
a

b

c



329

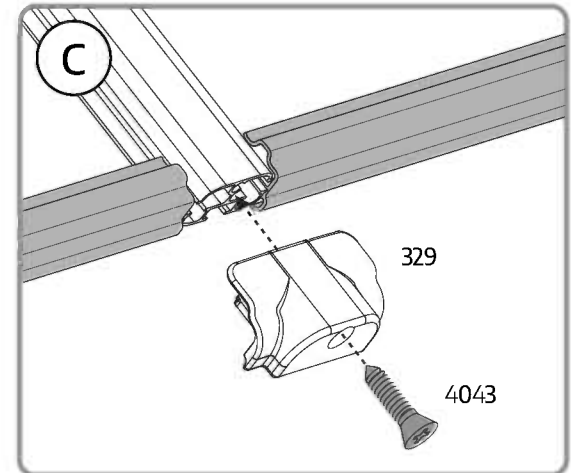
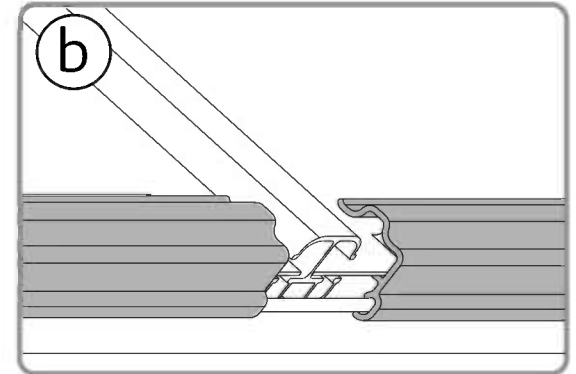
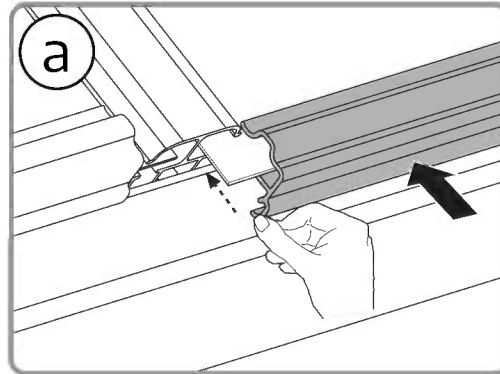
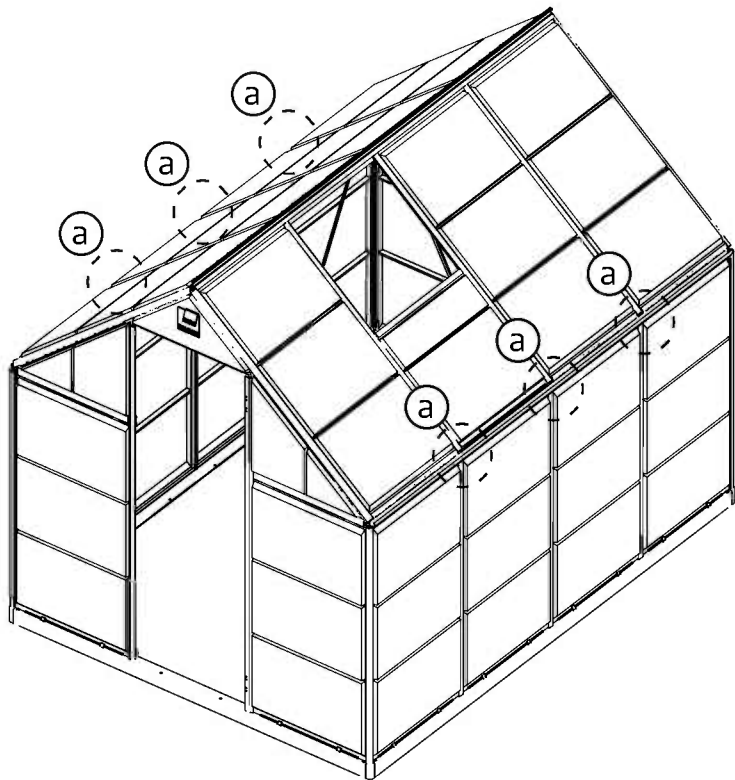


.....6

4043

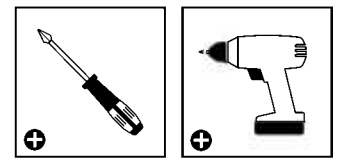
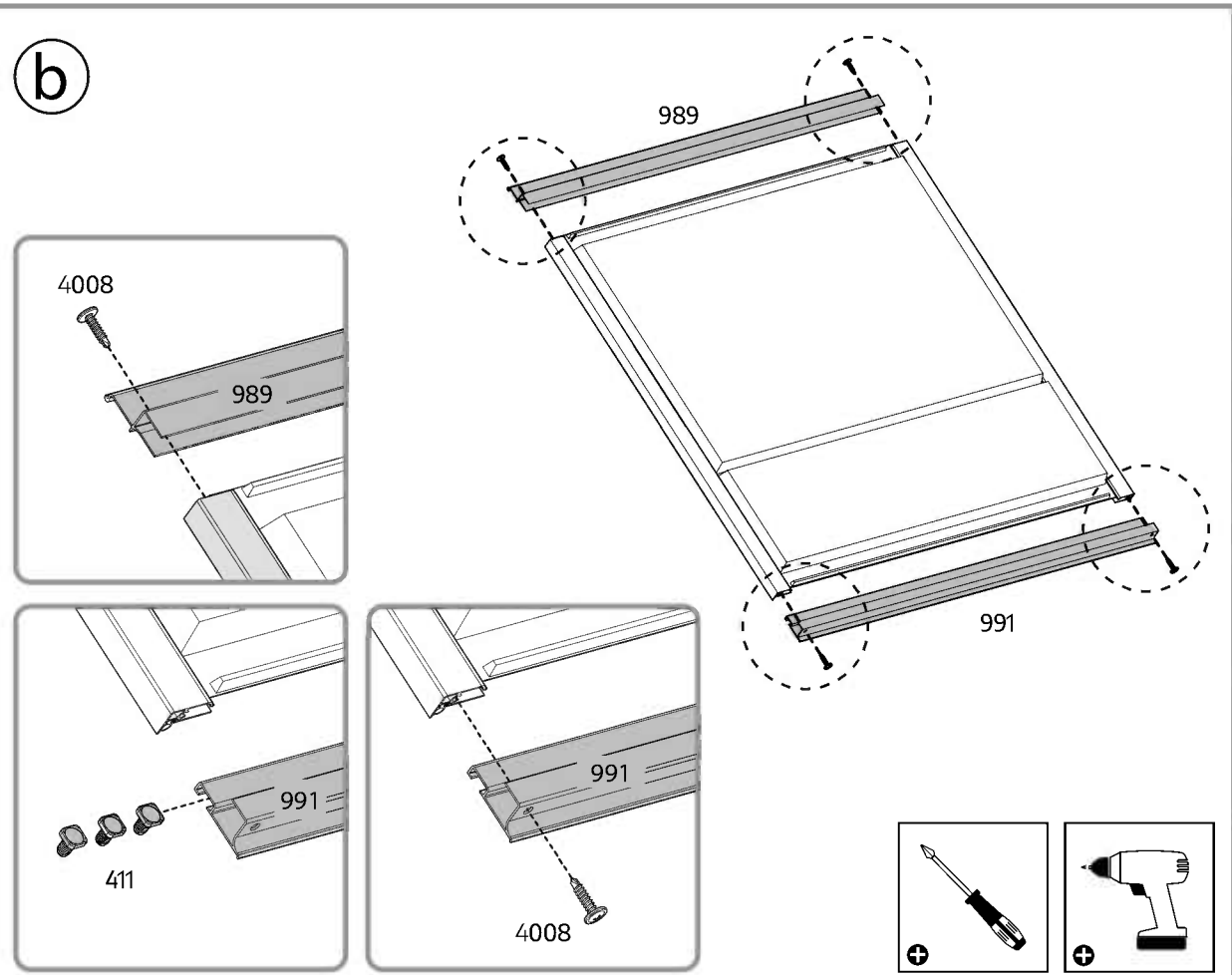
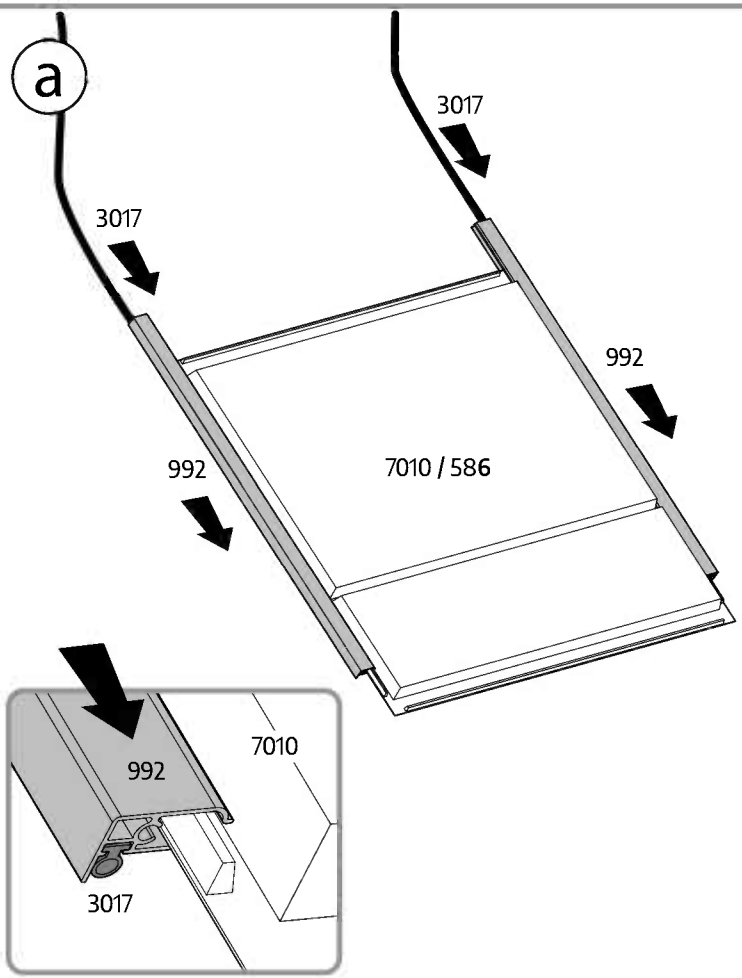
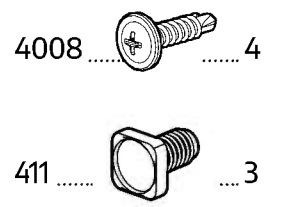
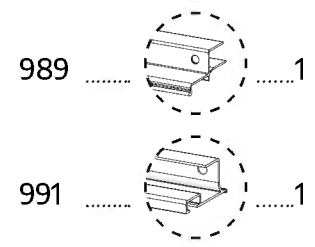
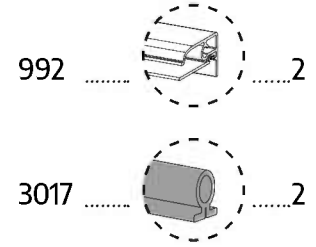
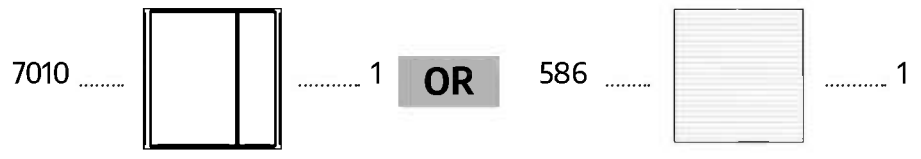
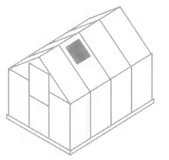


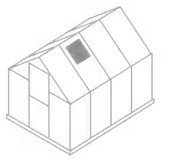
.....6



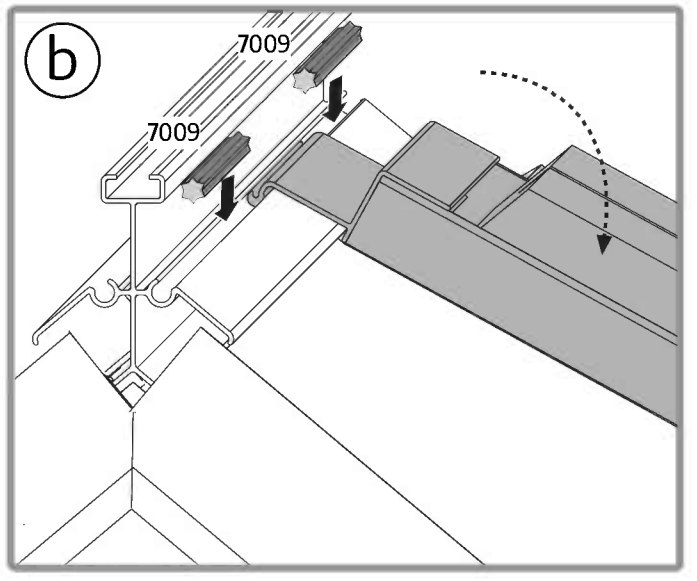
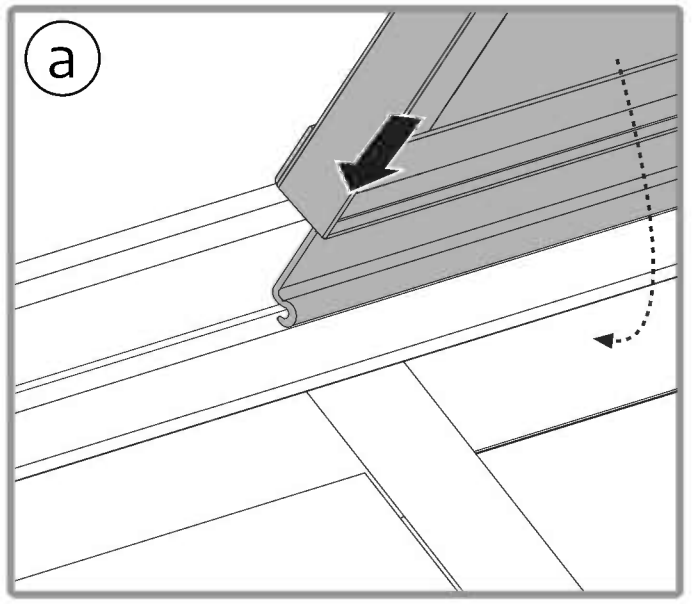
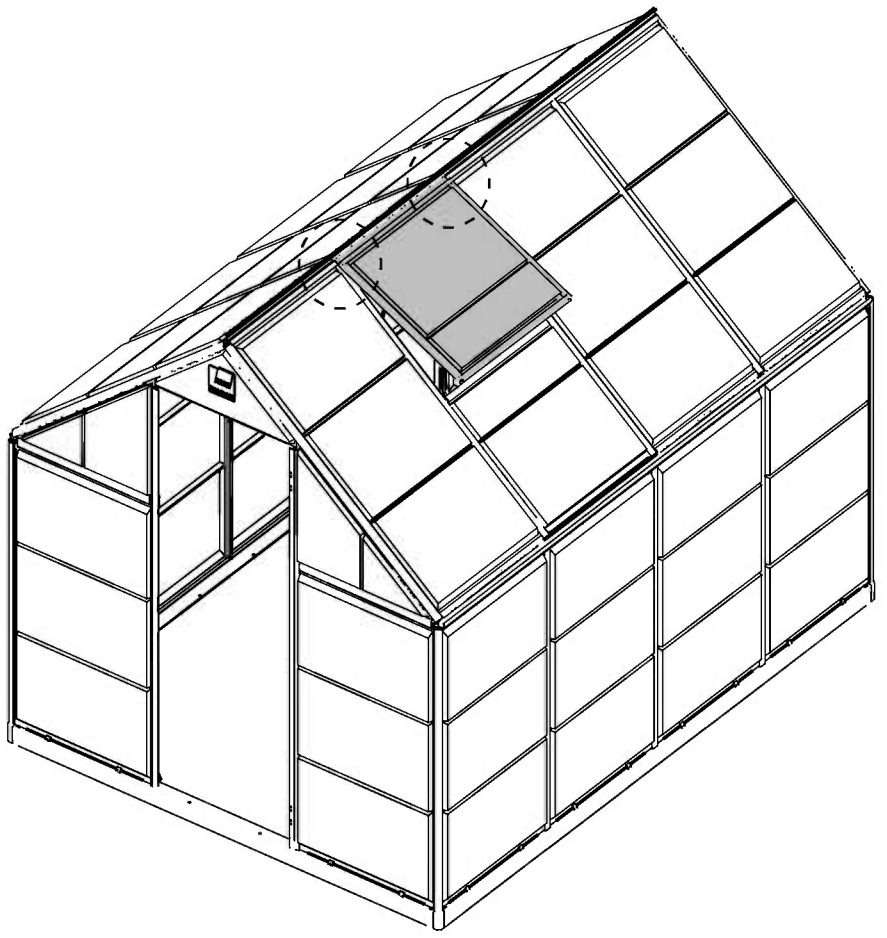


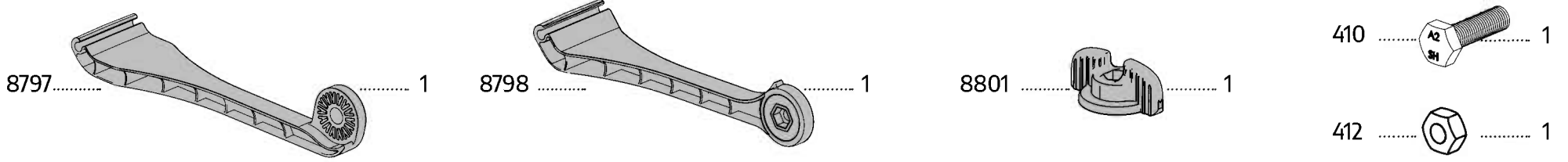
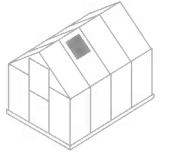
Please Note! Each of the 3 greenhouses come with its compatible panels kit as shown in the content list and in the relevant assembly steps.



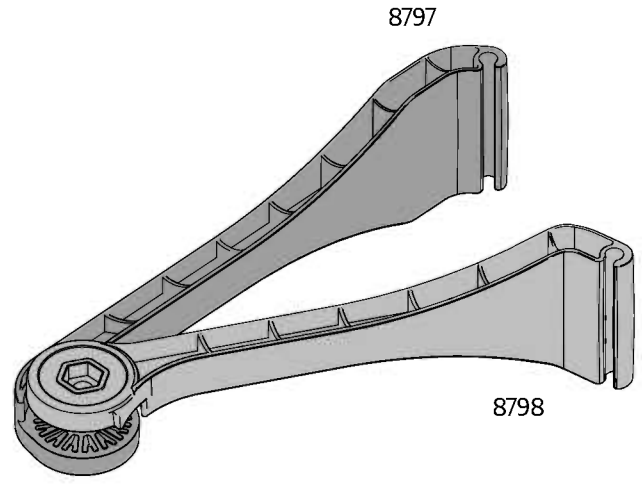


7009  2

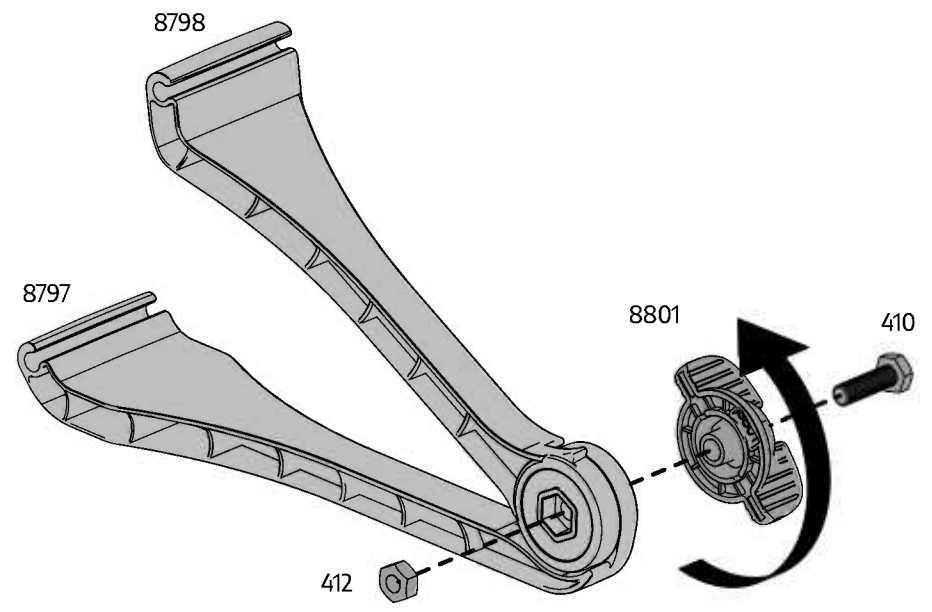


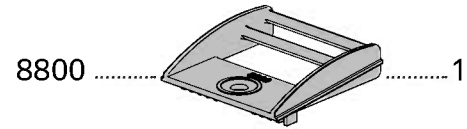
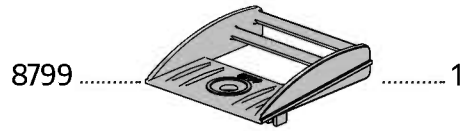
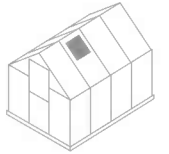


a

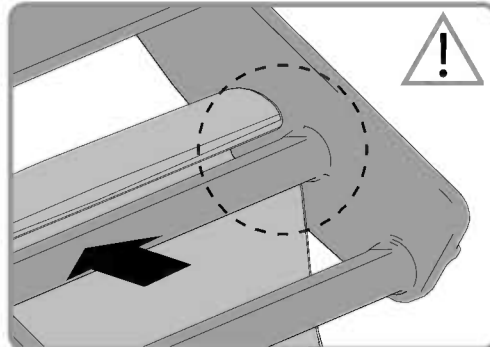
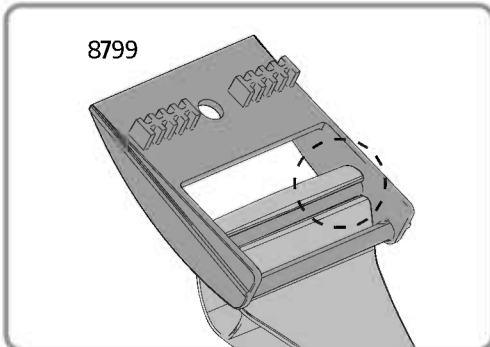
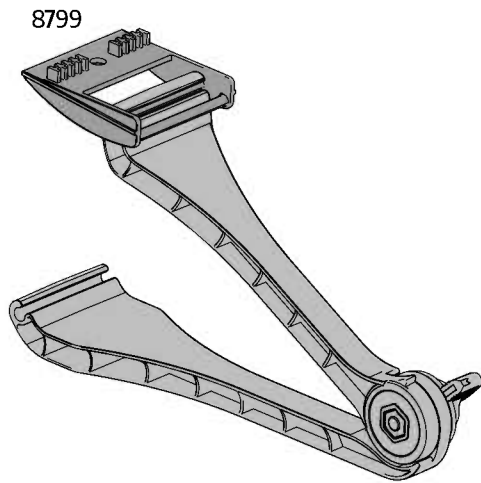


b

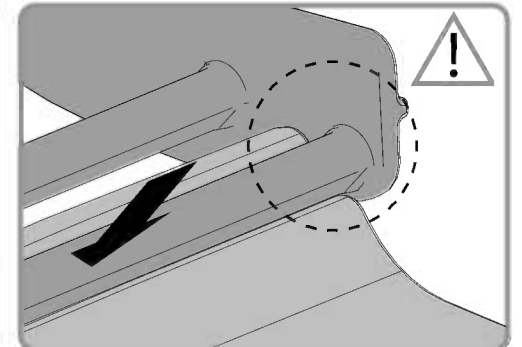
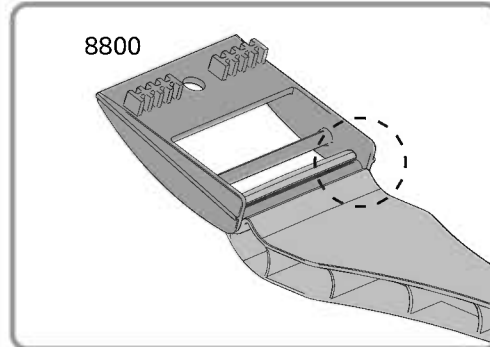
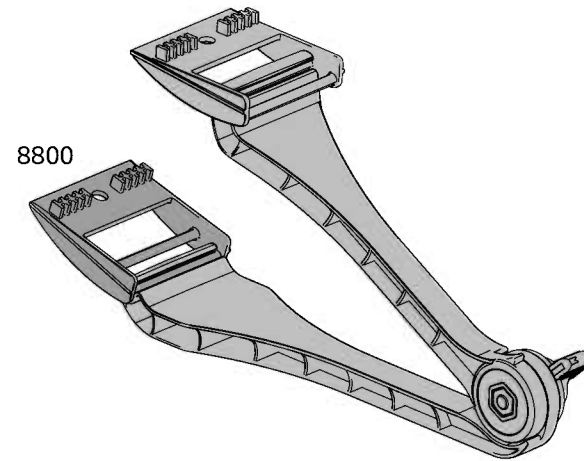




a



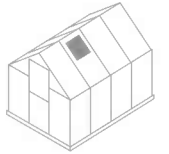
b



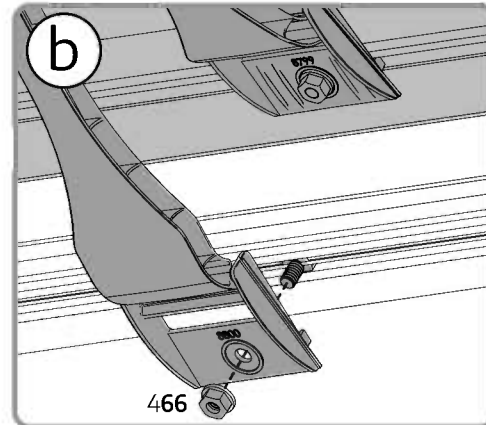
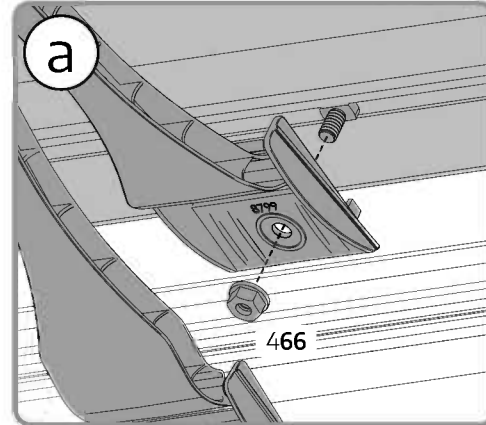
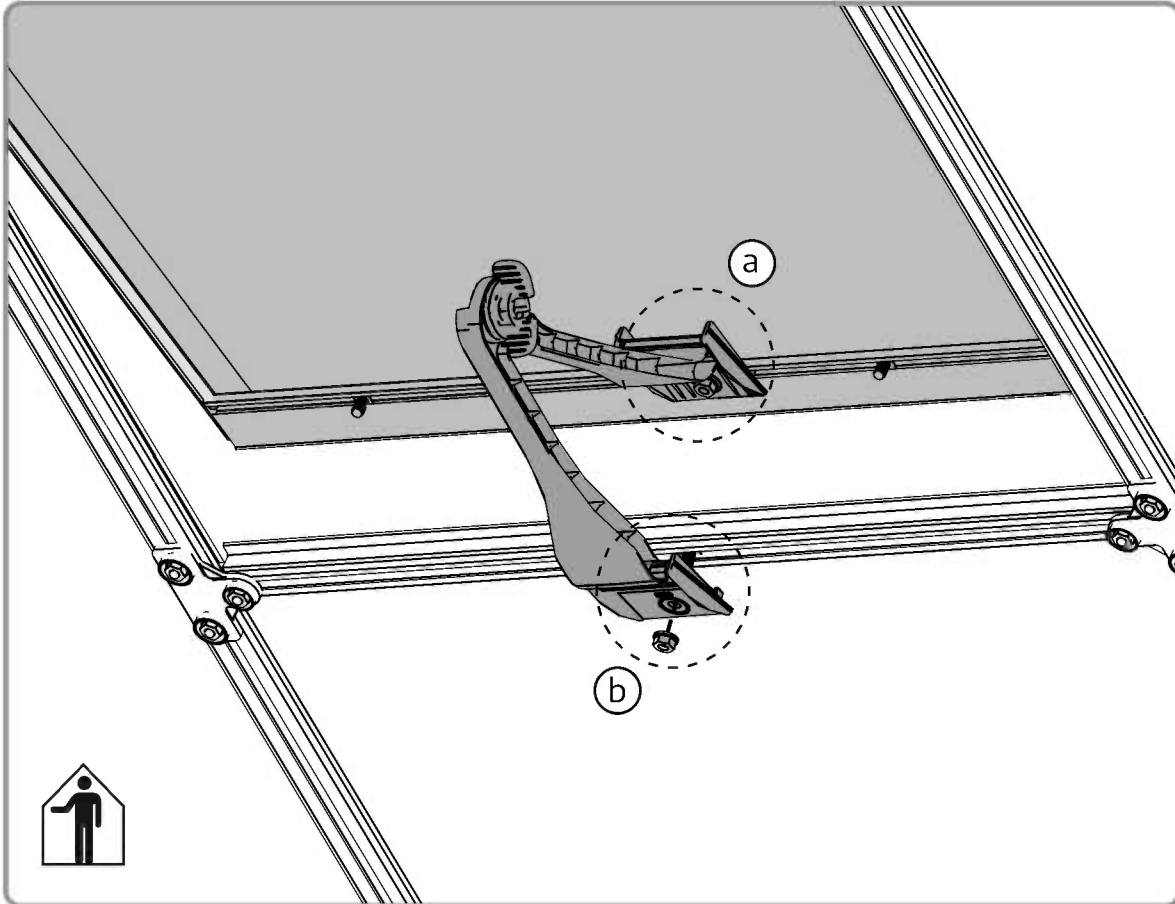
45

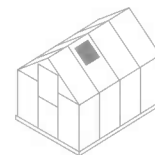


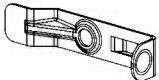
In case the window doesn't closed properly, please release the screws, adjust the profile and tighten the screw.



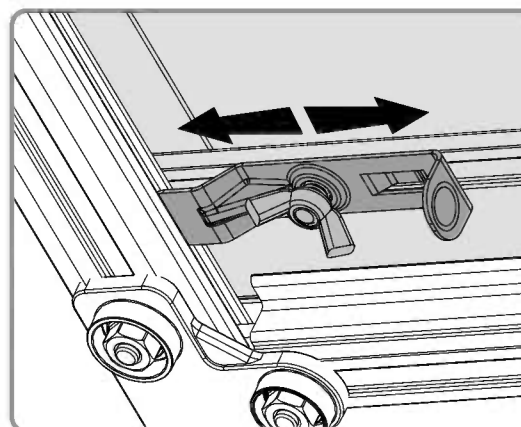
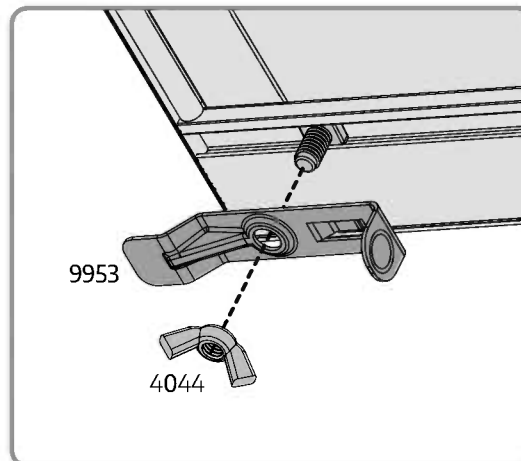
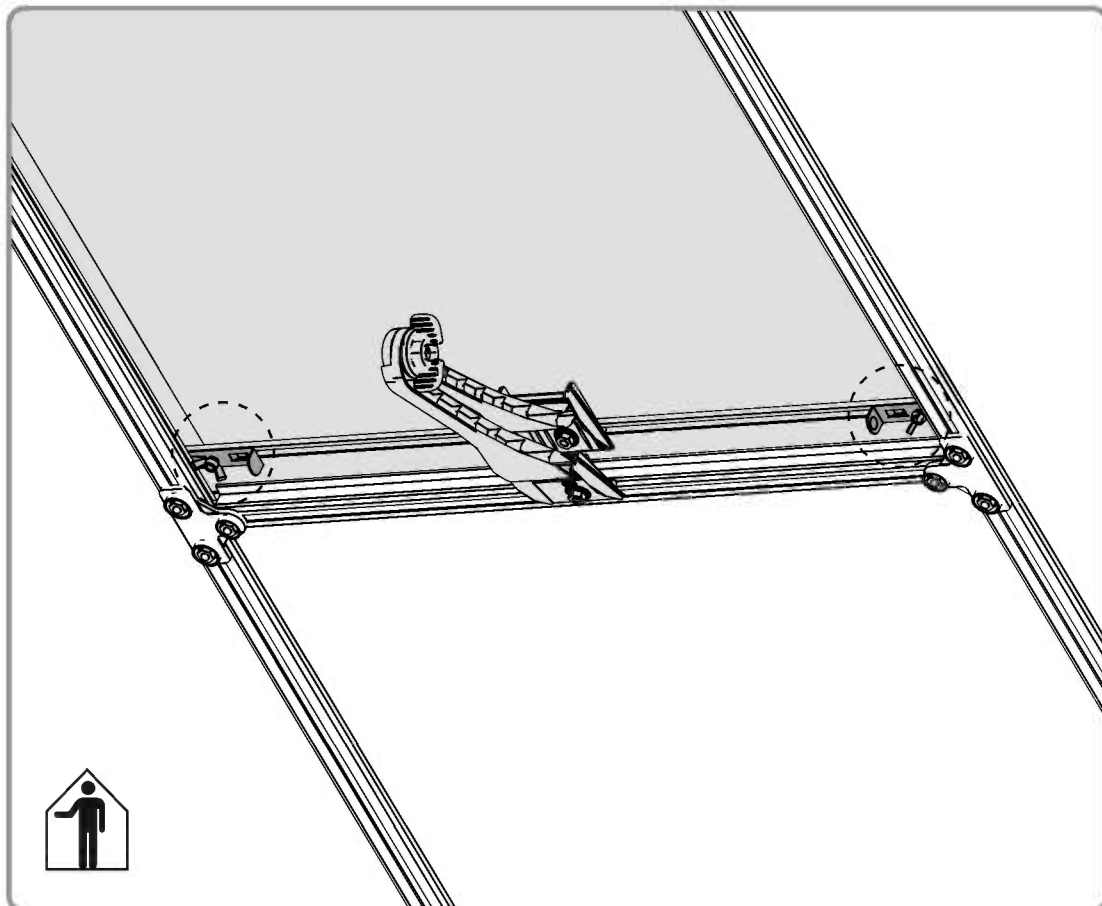
466.....2

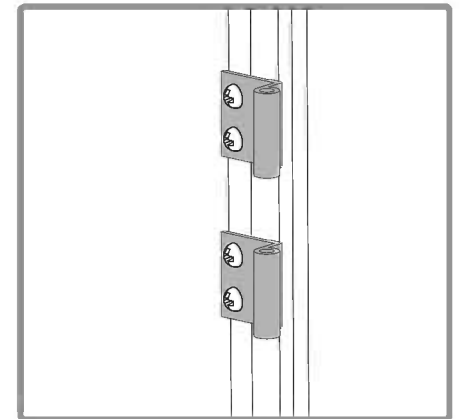
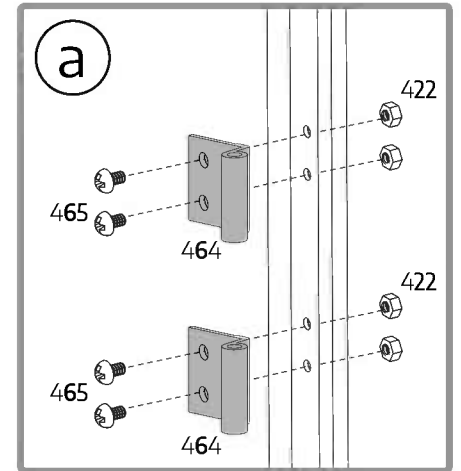
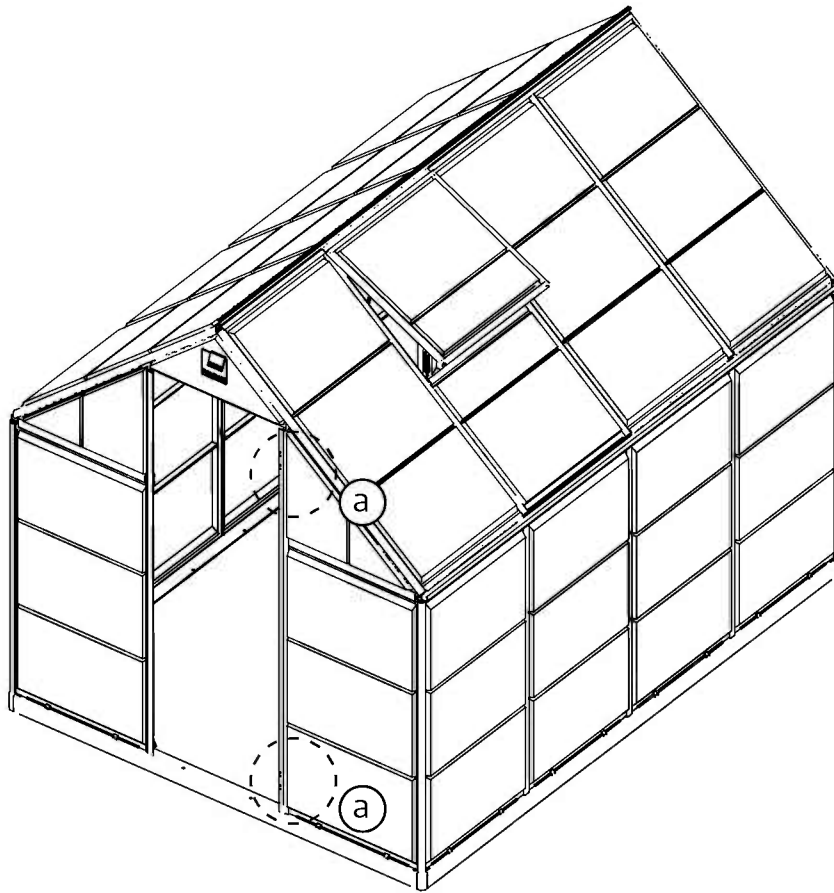
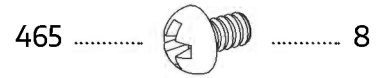
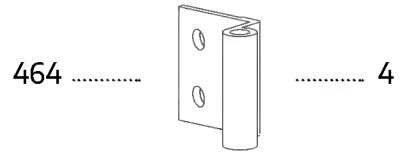
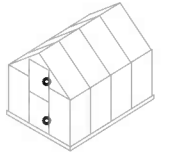




9953  2

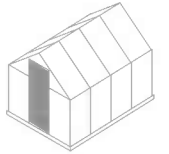
4044  2



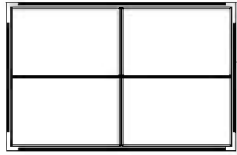




Please Note! Each of the 3 greenhouses come with its compatible panels kit as shown in the content list and in the relevant assembly steps.



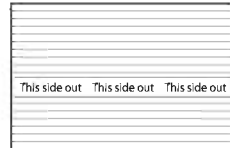
567



..... 2

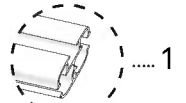
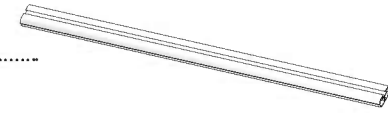
OR

582



..... 2

983

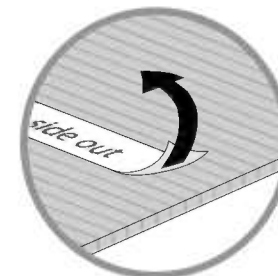
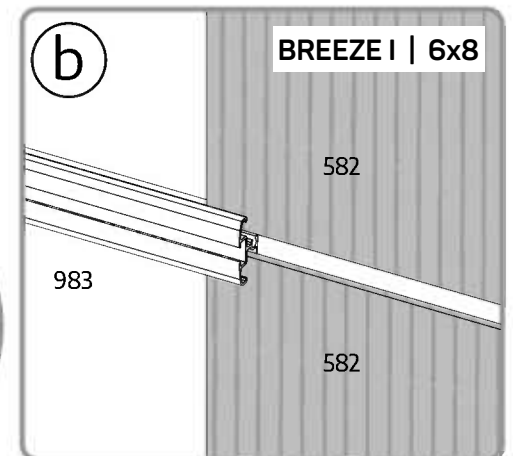
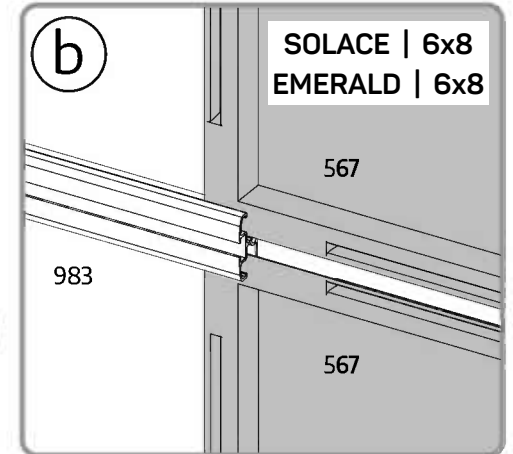
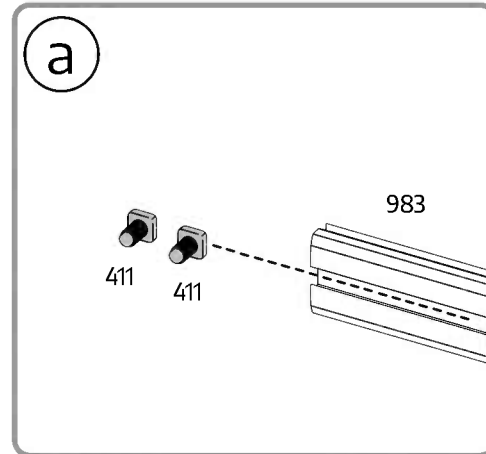
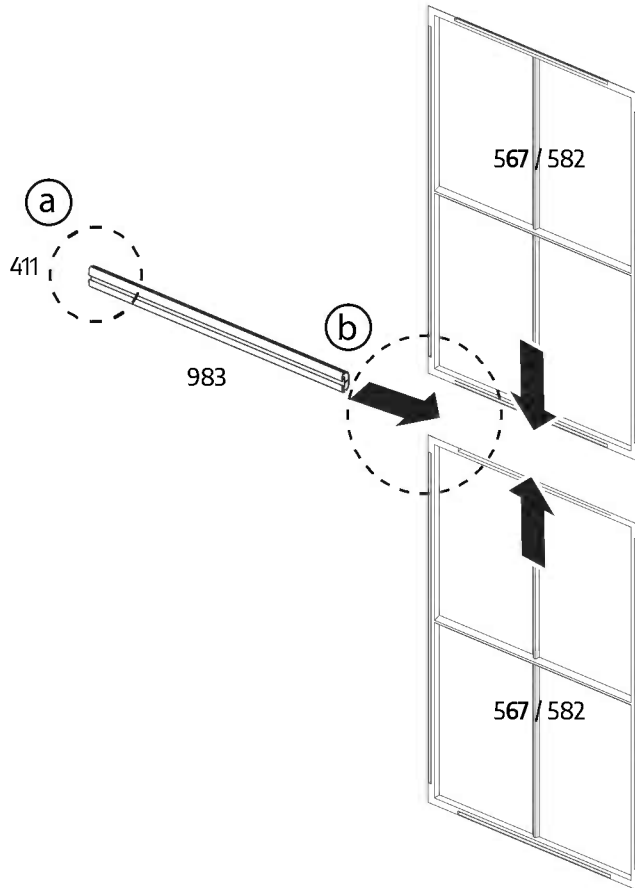


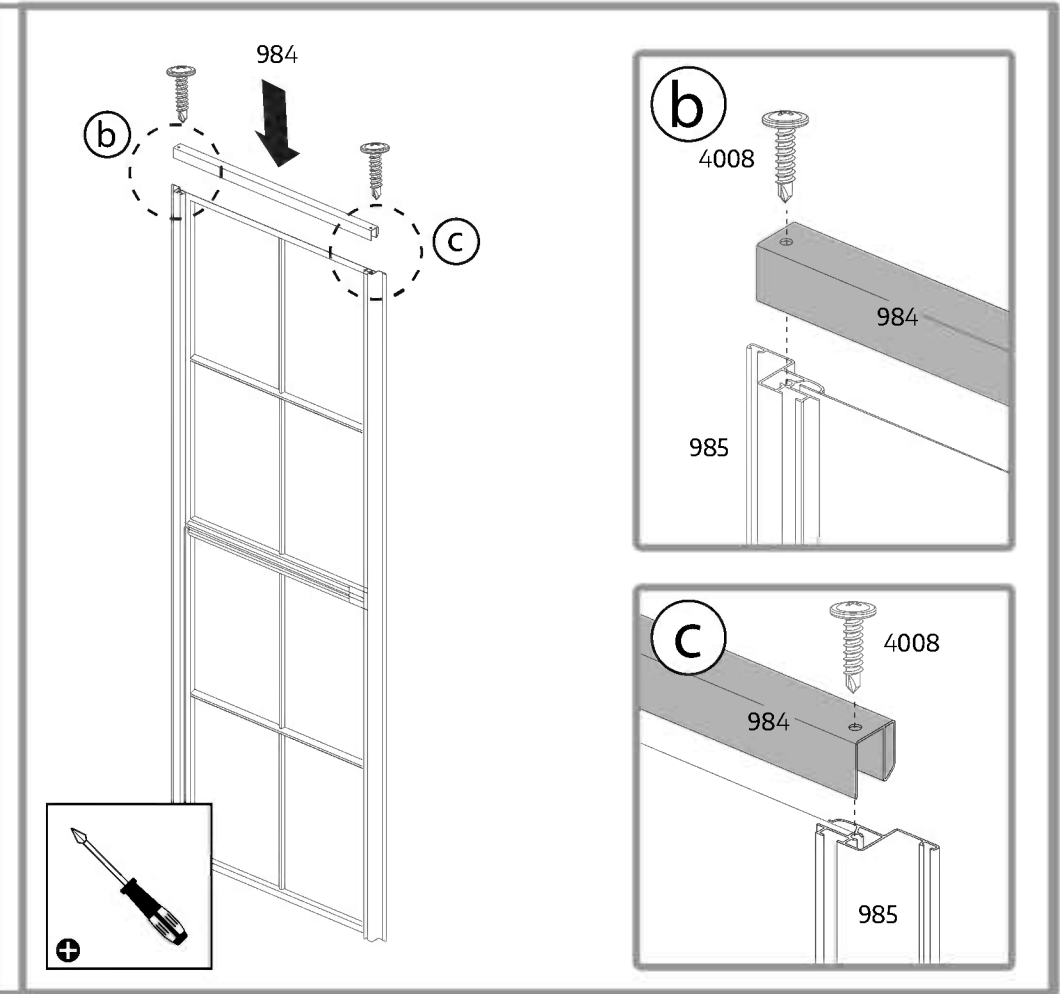
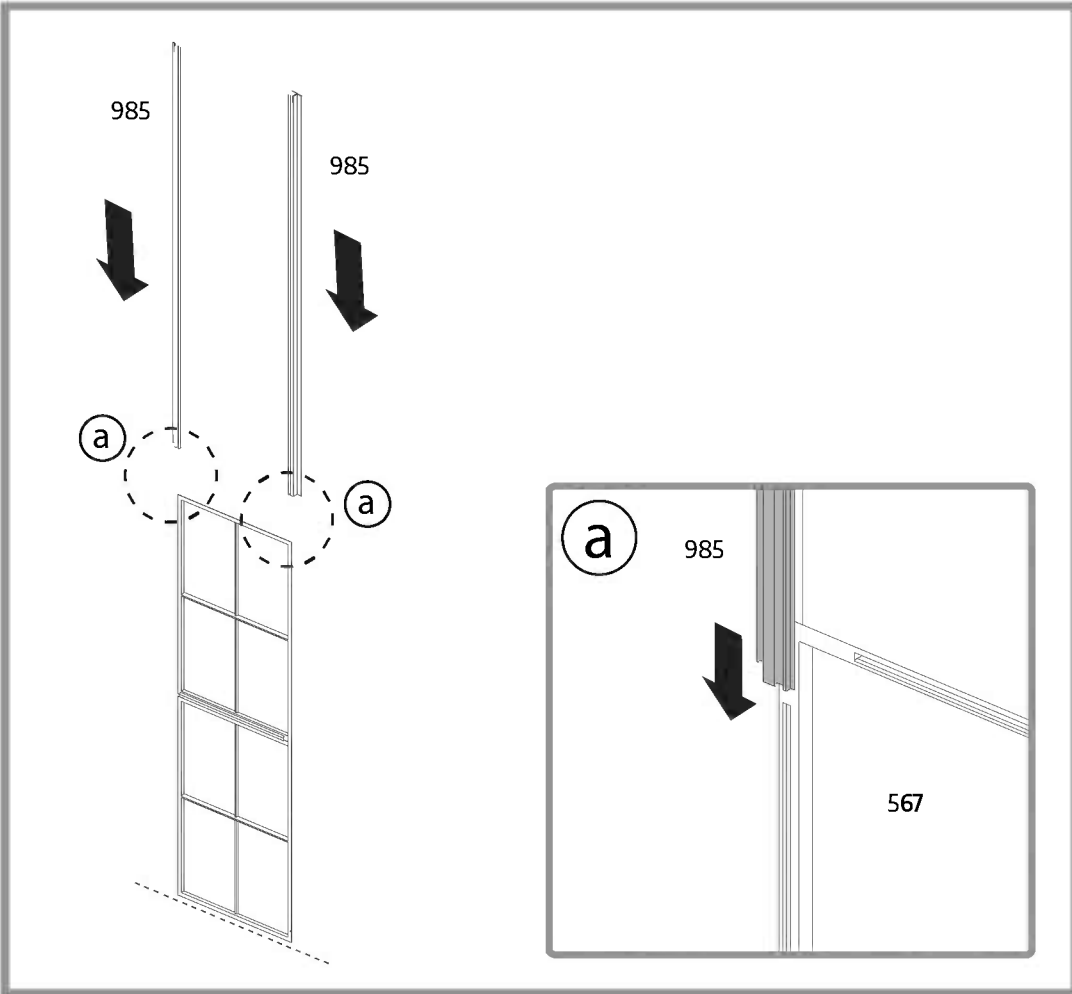
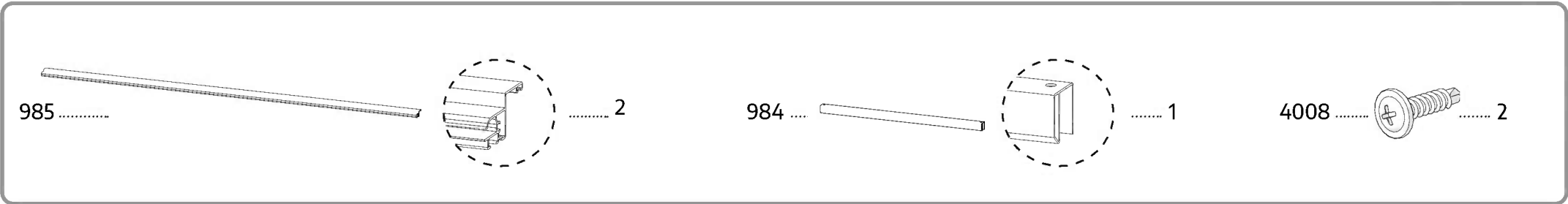
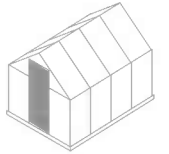
..... 1

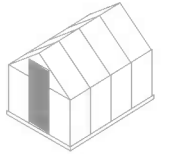
411



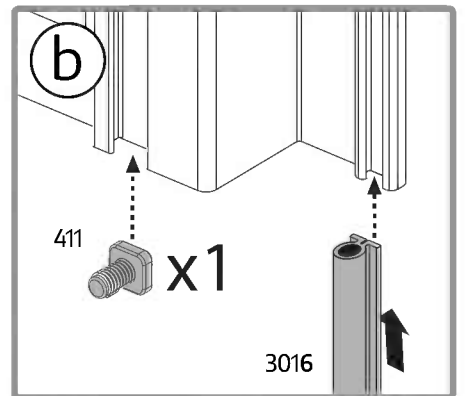
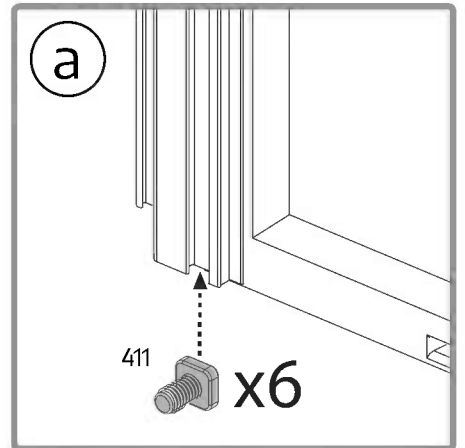
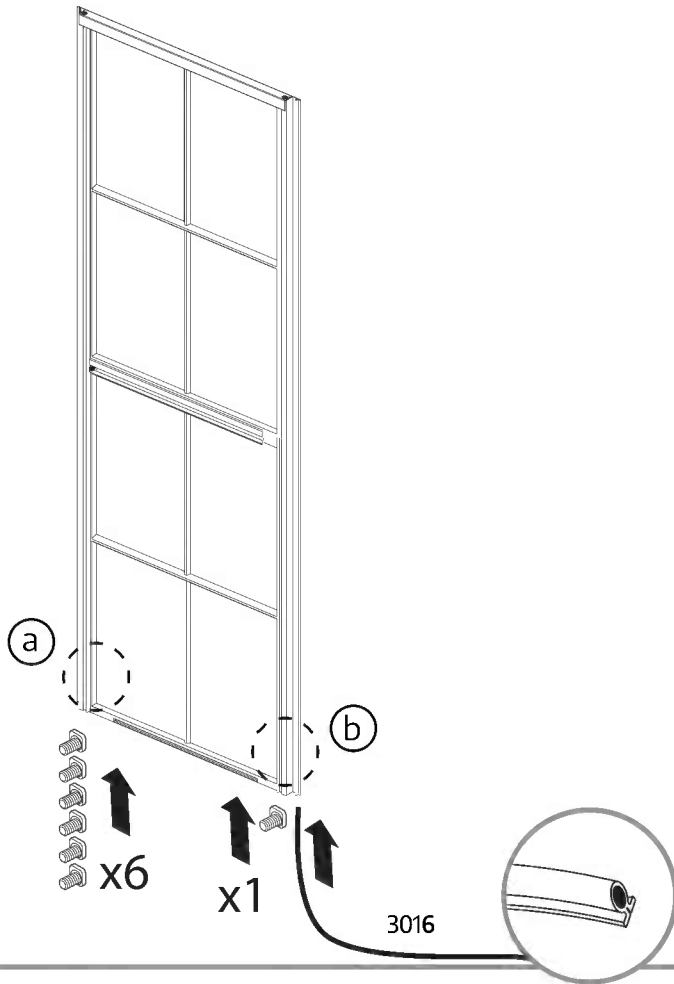
..... 2

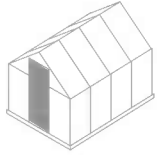


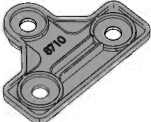
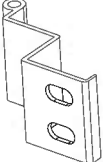



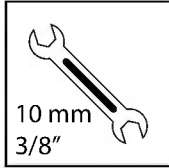
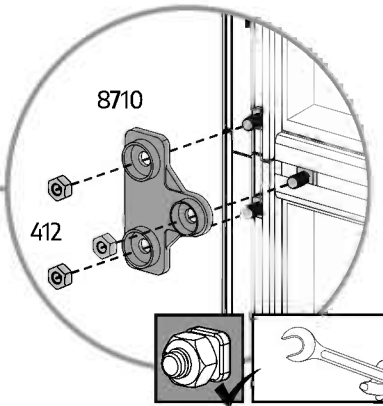
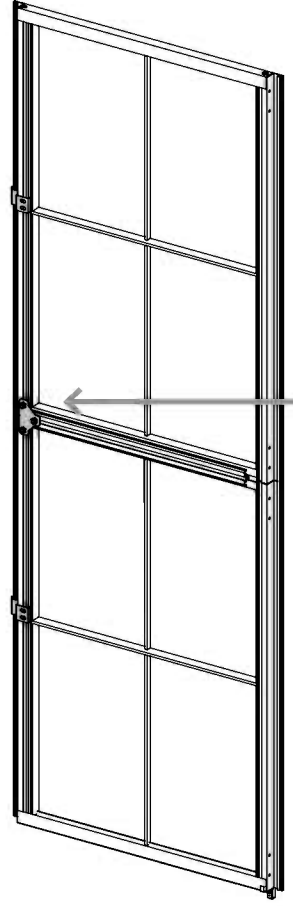
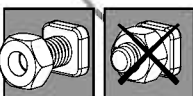
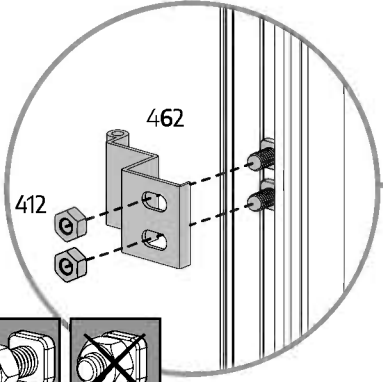
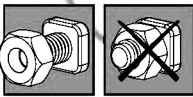
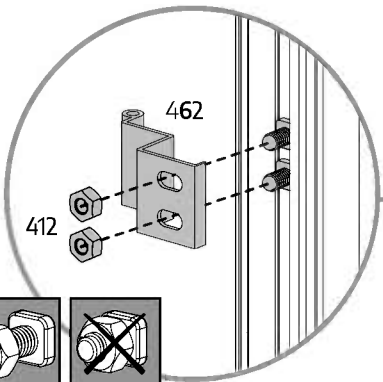


411 7 3016 1

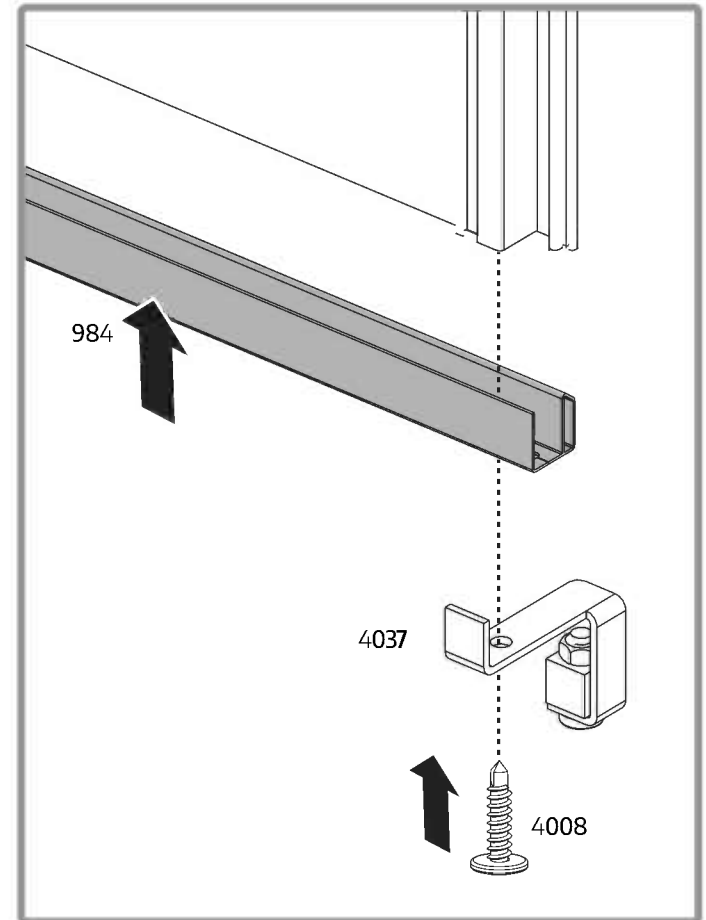
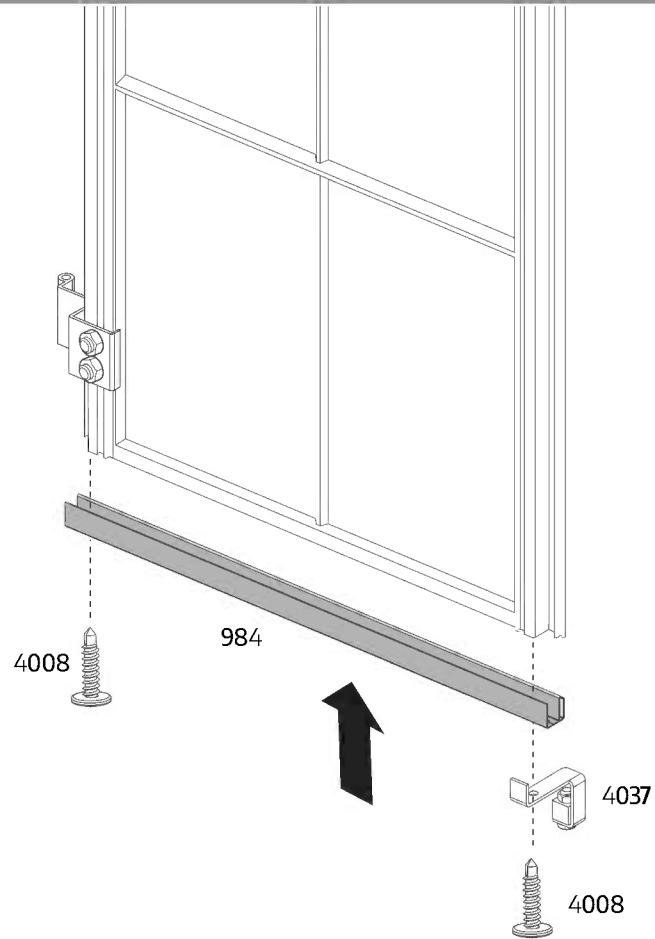
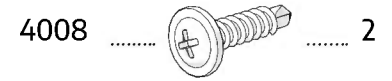
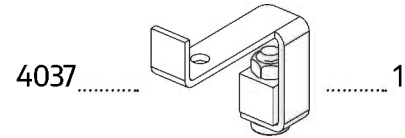
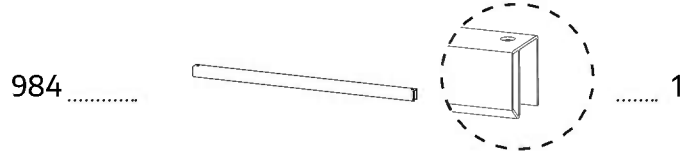
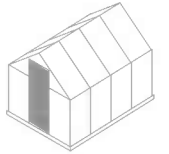


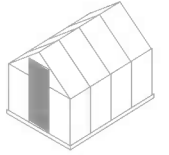


- 8710  1
- 462  2
- 412  7

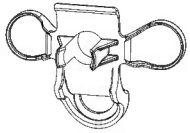


10 mm
3/8"

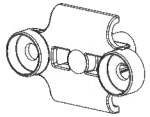




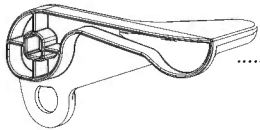
7086 1



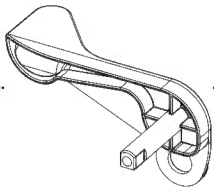
7085 1



7084 1



7083 1



7088 1

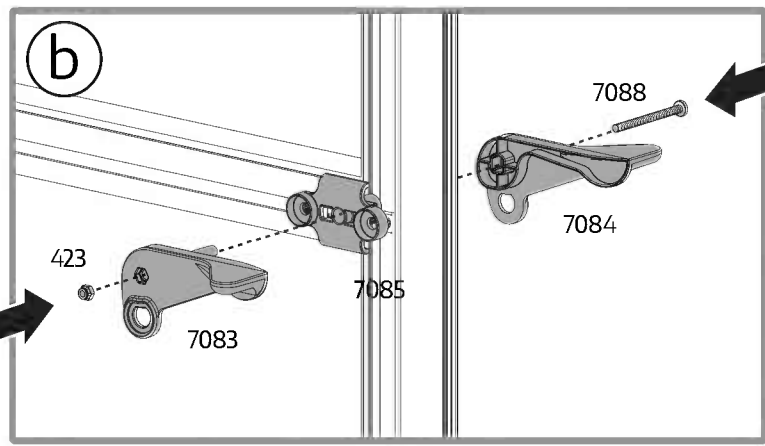
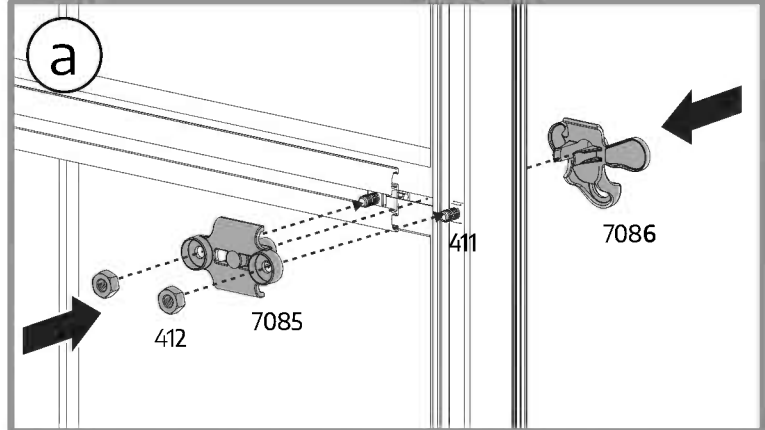
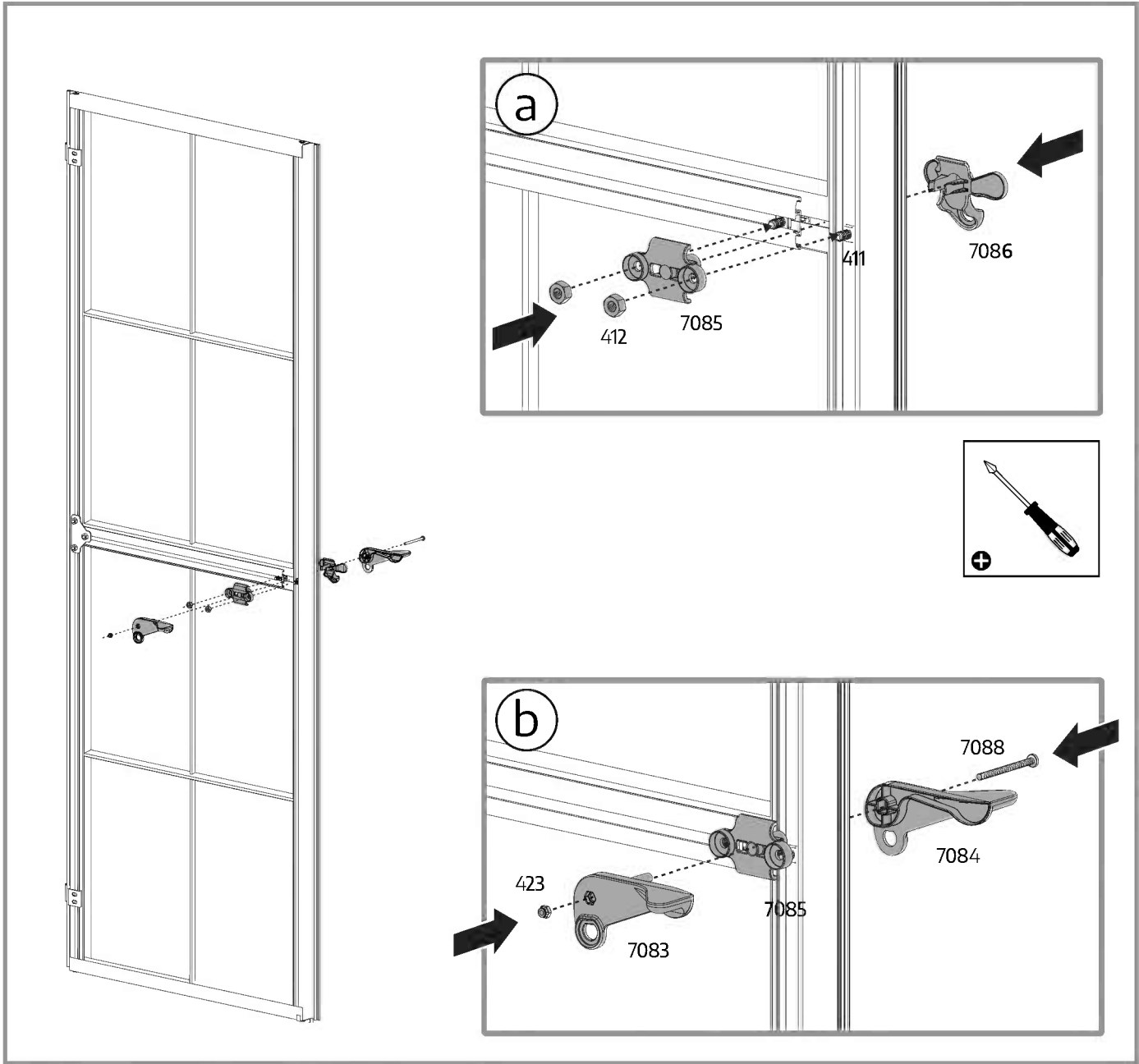


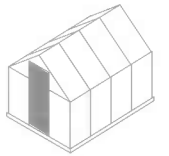
M4 x 50 mm

423 1

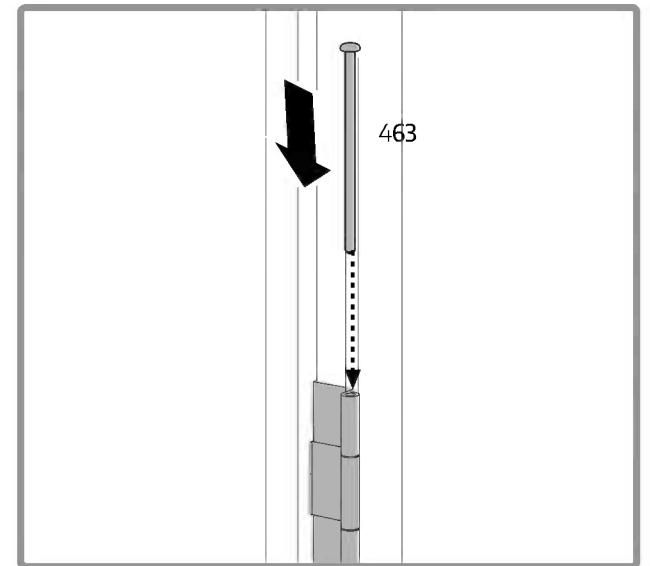
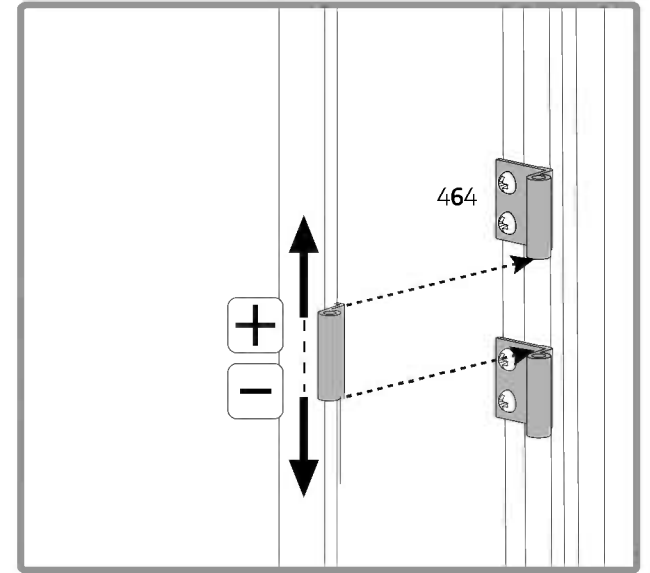
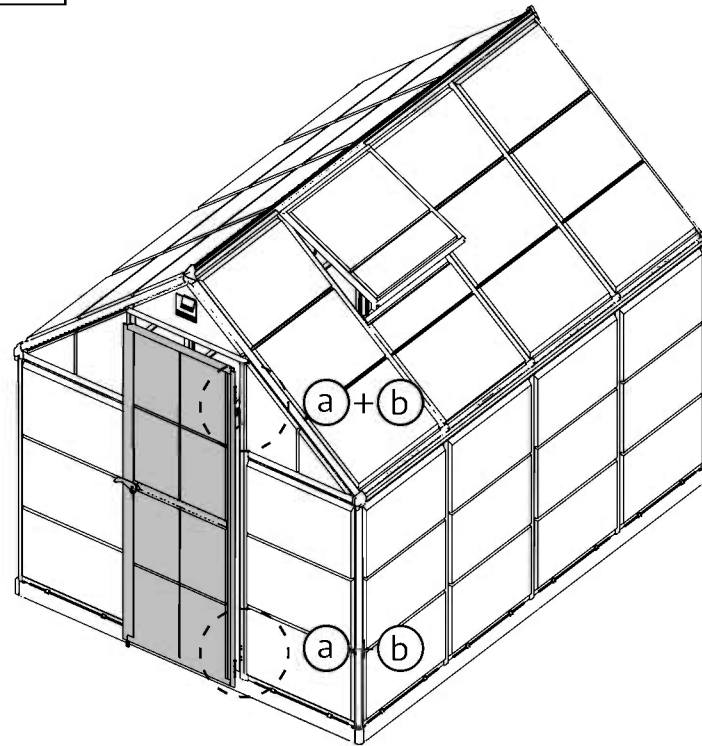
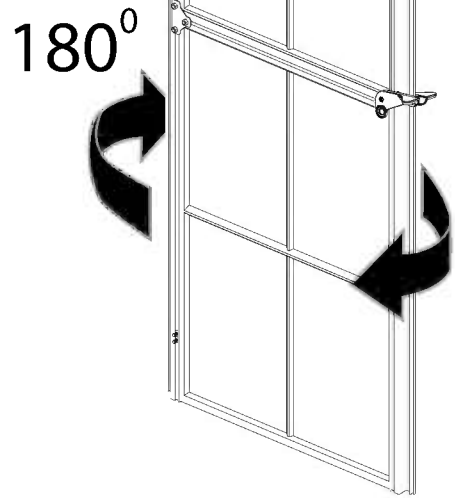
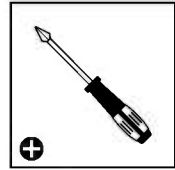


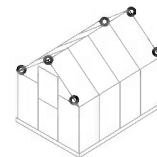
412 2



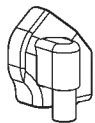


463 2

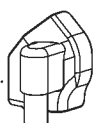




344 L 2



344 R 2



343 2



7442 4

